

VN-PRQ HT



Centrifugal fan direct driven for high temperatures.

If you are looking for a fan with a specific working point, please don't hesitate to contact us by phone +31 (0)416 391999 or email info@ventinet.nl and we will select the right fan for you.

The fans are suitable to extract smoke and hot air and are certificated following EN 12101-3:2015 in class F400.

Sizes	250 up to 500 mm
Motor (standard)	HT motor IP55, 400/3/50
Capacity	up to 8.800 m ³ /h
Pressure	up to 900 Pa
Control	Frequency converter
Casing	Steel galvanized
Extra	Suitable for high temperatures up to 100°C continuously and 400°C For 120 minutes
Accessories	Flexible connections / Grids / Anti-vibration mounts / Switches / Frequency converters

4 pole (1.500 rpm.) – 400/3/50

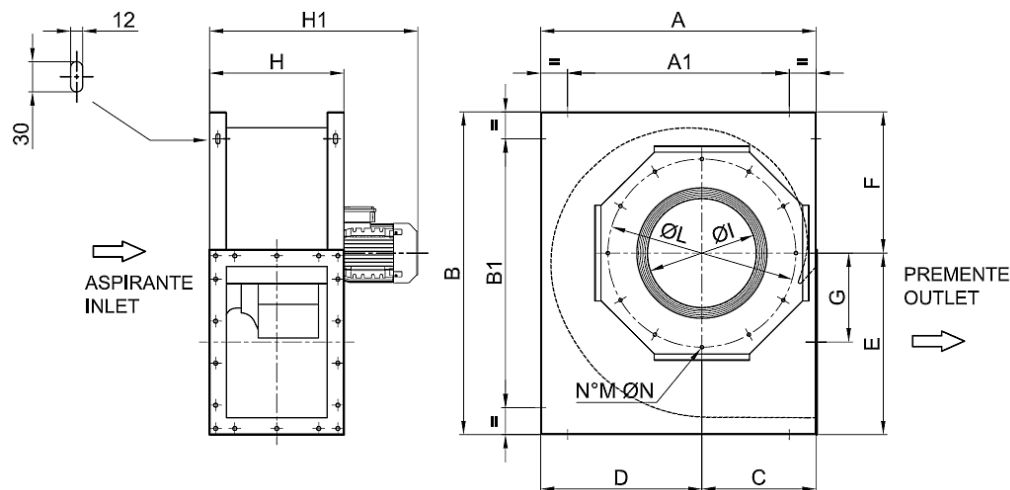
Model	Capacity max. (m ³ /h)	100 Pa m ³ /h	200 Pa m ³ /h	500 Pa m ³ /h	Pressure max. (Pa stat.)	Motor (kW)	In max. (A)
354	2.600	2.300	2.000	500	525	0,25	0,80
404	3.900	3.600	3.300	2.050	720	0,55	1,60
454	5.000	4.100	3.750	2.300	730	0,75	1,90
504	6.500	6.100	5.600	4.100	900	1,1	2,50

6 pole (1.000 rpm.) – 400/3/50

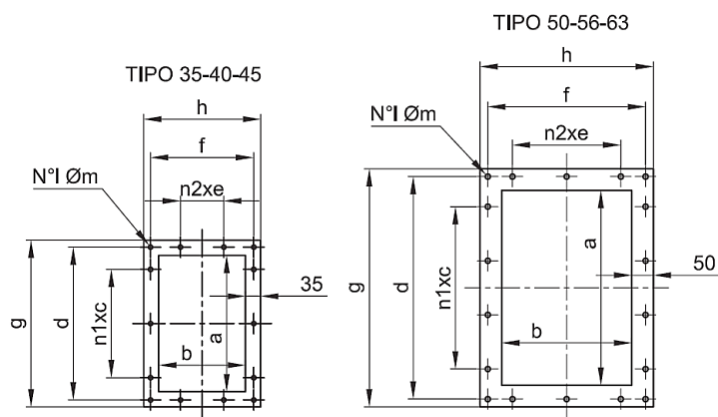
Model	Capacity max. (m ³ /h)	100 Pa m ³ /h	200 Pa m ³ /h	400 Pa m ³ /h	Pressure max. (Pa stat.)	Motor (kW)	In max. (A)
456	3.000	2.450	1.750	-	330	0,55	1,80
506	4.200	3.600	2.800	-	400	0,55	1,80
566	5.750	4.850	3.900	1.200	450	0,55	1,80
636	8.700	7.850	6.900	4.550	650	1,1	2,74

[Types and changes reserved]

Indication dimensions VN-PRQ HT



	A	A1	B	B1	C	D	E	F	G	H1	I	L	M	N
350	620	520	650	55	295	325	370	280	177	450	270	450	8	M8
400	680	580	790	690	305	375	440	350	277	520	296	500	8	M8
450	740	640	880	780	305	435	490	390	255	520	296	500	8	M8
500	820	660	960	800	340	480	540	420	265	620	327	560	12	M8
560	890	730	1040	880	370	520	600	440	300	585	370	620	12	M8
630	910	750	1100	940	410	500	650	450	320	675	430	690	12	M8



	a	b	n1 x c	d	n2 x e	f	g	h	l	m
350	315	200	2x125	353	1x100	238	385	270	14	10
400	355	250	2x125	393	1x125	288	425	320	14	10
450	400	250	2x125	438	1x125	288	470	320	14	10
500	450	300	3x125	514	2x125	364	550	400	18	12
560	500	300	3x125	564	2x125	364	600	400	18	12
630	560	355	4x125	624	2x125	419	660	455	20	12