

VN-Roof TC



Centrifugal roof fan for smoke exhaust

If you are looking for a fan with a specific working point, please don't hesitate to contact us by phone +31 (0)416 391999 or email info@ventinet.nl and we will select the right fan for you.

The fans are suitable to extract smoke and hot air and are certificated following EN 12101-3:2015 in class F400.

Sizes	350 up to 800 mm
Motor (standard)	Norm motor IP55, 230/1/50 or 400/50
Capacity	up to 20.500 m ³ /h
Pressure	up to 800 Pa
Control	Frequency converter
Casing	Steel
Impeller	Backward curved blades, steel galvanized
Extra	Suitable for high temperatures up to 150°C continuously and 400°C for 120 minutes (F400)
Accessories	Protection grid / Switches/ Terminal box / Roof mounting kit / Frequency converters

4 pole (1.500 rpm.) – 230/1/50

Model	Capacity max. (m ³ /h)	100 Pa m ³ /h	200 Pa m ³ /h	400 Pa m ³ /h	Pressure max. (Pa stat.)	Motor (kW)	In max. (A)
354	3.100	2.700	2.300	-	350	0,25	2,35
404	5.200	4.850	4.200	2.700	500	0,55	4,75
454	6.000	5.700	5.000	3.700	580	0,75	5,60

4 pole (1.500 rpm.) – 400/3/50

Model	Capacity max. (m ³ /h)	100 Pa m ³ /h	200 Pa m ³ /h	400 Pa m ³ /h	Pressure max. (Pa stat.)	Motor (kW)	In max. (A)
354	3.100	2.700	2.300	-	350	0,25	0,86
404	5.200	4.850	4.200	2.700	500	0,55	1,60
454	6.000	5.700	5.000	3.700	580	0,75	2,20
504	7.000	6.900	6.400	5.600	750	1,1	2,80

6 pole (1.000 rpm.) – 230/1/50

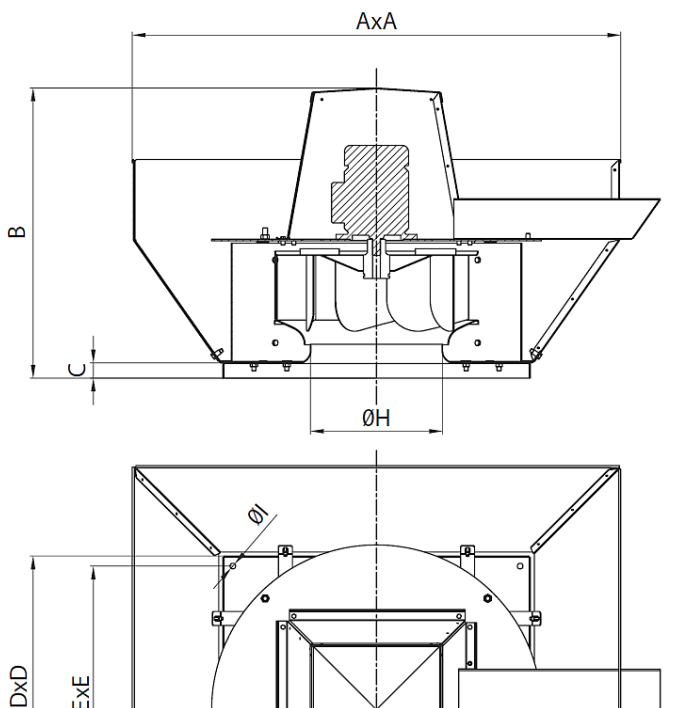
Model	Capacity max. (m ³ /h)	50 Pa m ³ /h	100 Pa m ³ /h	200 Pa m ³ /h	Pressure max. (Pa stat.)	Motor (kW)	In max. (A)
456	3.200	3.000	2.700	1.100	240	0,37	3,00

6 pole (1.000 rpm.) – 400/3/50

Model	Capacity max. (m ³ /h)	100 Pa m ³ /h	200 Pa m ³ /h	400 Pa m ³ /h	Pressure max. (Pa stat.)	Motor (kW)	In max. (A)
456	3.200	2.700	1.100	-	240	0,37	1,20
506	4.300	3.700	2.600	-	320	0,37	1,20
566	7.500	7.100	6.000	900	400	0,55	1,80
636	11.200	10.500	9.600	6.600	540	1,1	3,40
756	16.800	16.200	14.900	12.100	570	2,2	5,00
806	20.500	20.300	19.800	16.900	800	3	6,60

[Types and changes reserved]

Indication dimensions VN-Roof TC F400



Model	AxA	B	C	D	E	Ø H
350	800	590	38	500	450	270
400	950	640	38	650	600	296
450	950	640	38	650	600	296
500	1200	720	38	760	710	327
560	1200	720	38	760	710	370
630	1480	890	38	930	870	430
750	1480	930	38	930	870	480
800	1480	960	38	930	870	530