

VN-OKVI



Inline duct fan sound insulated with rectangular connection.

If you are looking for a fan with a specific working point, please don't hesitate to contact us by phone +31 (0)416 391999 or email info@ventinet.nl and we will select the right fan for you.

Sizes	300x150 up to 1.000x500
Motor (standard)	External rotor motor, 230/1/50 or 400/3/50
Capacity	up to 12.700 m ³ /h
Pressure	up to 1.250 Pa
Control	Transformer
Impeller	Backward curved blades, steel galvanized
Extra	Terminal box mounted on casing
Accessories	Silencers / Grids / Shutters / Flexible connections / Speed regulators

2 pole (3.000 rpm.) – 230/1/50

Model	Capacity max. (m ³ /h)	Pressure max. (Pa stat.)	Motor (W)	Speed (min ⁻¹)
3015 2SM	525	400	55	2400
4020 2SM	920	550	85	2500
4020 2HM	1350	760	150	2450
5025 2HM	1970	850	220	2250

2 pole (3.000 rpm.) – 400/3/50

Model	Capacity max. (m ³ /h)	Pressure max. (Pa stat.)	Motor (W)	Speed (min ⁻¹)
3015 2ST	490	380	45	2350
4020 2ST	820	440	80	2450
4020 2HT	1290	655	210	2340
5025 2HT	1650	820	300	2680

4 pole (1.500 rpm.) – 230/1/50

Model	Capacity max. (m ³ /h)	Pressure max. (Pa stat.)	Motor (W)	Speed (min ⁻¹)
5030 4HM	2300	430	175	1350
6030 4SM	3240	470	240	1400
6035 4SM	3360	470	240	1400
6035 4HM	4100	580	470	1325

4 pole (1.500 rpm.) – 400/3/50

Model	Capacity max. (m ³ /h)	Pressure max. (Pa stat.)	Motor (W)	Speed (min ⁻¹)
5025 4ST	1380	240	100	1205
5030 4HT	2420	440	225	1380
6030 4ST	3050	450	275	1320
6035 4ST	3160	450	275	1320
6035 4HT	4200	580	480	1340
7040 4ST	5600	600	700	1300
8050 4ST	7400	740	1450	1355
8050 4HT	10500	920	2350	1350
10050 4ST	10600	920	2350	1355
10050 4HT	12700	1100	4100	1285

6 pole (1.000 rpm.) – 230/1/50

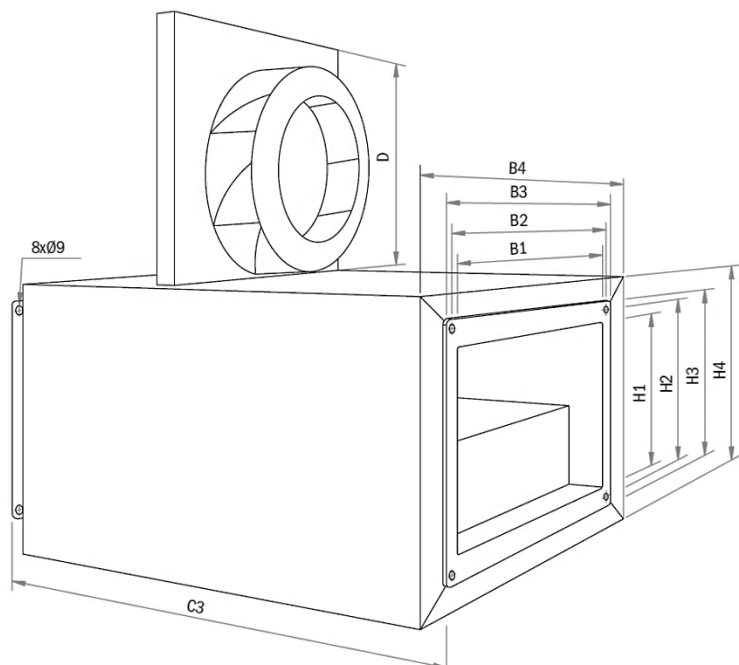
Model	Capacity max. (m ³ /h)	Pressure max. (Pa stat.)	Motor (W)	Speed (min ⁻¹)
5030 6SM	1790	190	65	860

S = standard power at nominal dimension

H = higher power at nominal dimension

[Types and changes reserved]

Indication dimensions VN-OKVI



	B	H	B1	B2	B3	B4	H1	H2	H3	H4	C3
3015	300	150	298	320	335	406	148	170	185	255	410
4020	400	200	398	420	435	506	198	220	235	305	510
5025	500	300	498	520	535	606	248	270	285	355	540
5030	500	300	498	520	535	606	298	320	335	405	610
6030	600	300	598	620	635	706	298	320	335	405	650
6035	600	350	598	620	635	706	348	370	385	455	726
7040	700	400	698	720	735	806	398	420	435	505	796
8050	800	500	798	820	835	906	498	520	535	605	921
10050	1000	500	998	1020	1035	1106	498	520	535	605	1026

