

VN-AxB



Rectangular inline fan with forward curved blades.

If you are looking for a fan with a specific working point, please don't hesitate to contact us by phone +31 (0)416 391999 or email info@ventinet.nl and we will select the right fan for you.

| | |
|------------------|---|
| Sizes | 400x200 up to 700x400 |
| Motor (standard) | External rotor motor IP44, 230/1/50 of 400/3/50 |
| Capacity | up to 7.000 m ³ /h |
| Pressure | up to 700 Pa |
| Control | Transformer |
| Impeller | Forward curved blades, steel galvanized |
| Extra | Terminal box IP55 mounted on casing |
| Accessories | Silencers / Flexible connections / Speed regulators |

2 pole (3.000 rpm.) – 230/1/50

| Model | Capacity max. (m ³ /h) | 100 Pa m ³ /h | 200 Pa m ³ /h | 300 Pa m ³ /h | Pressure max. (Pa stat.) | Motor (kW) | In max. (A) |
|---------|--------------------------------------|-----------------------------|-----------------------------|-----------------------------|-----------------------------|---------------|----------------|
| 4x2 M2 | 900 | 730 | 550 | 370 | 450 | 0,15 | 0,65 |
| 5x25 M2 | 1.800 | 1.450 | 1.200 | 950 | 560 | 0,28 | 1,20 |

2 pole (3.000 rpm.) – 400/3/50

| Model | Capacity max. (m ³ /h) | 100 Pa m ³ /h | 200 Pa m ³ /h | 300 Pa m ³ /h | Pressure max. (Pa stat.) | Motor (kW) | In max. (A) |
|---------|--------------------------------------|-----------------------------|-----------------------------|-----------------------------|-----------------------------|---------------|----------------|
| 4x2 T2 | 850 | 640 | 420 | 220 | 360 | 0,11 | 0,22 |
| 5x25 M2 | 1.750 | 1.500 | 1.250 | 1.000 | 560 | 0,20 | 0,20 |

4 pole (1.500 rpm.) – 230/1/50

| Model | Capacity max. (m ³ /h) | 100 Pa m ³ /h | 200 Pa m ³ /h | 300 Pa m ³ /h | Pressure max. (Pa stat.) | Motor (kW) | In max. (A) |
|--------|--------------------------------------|-----------------------------|-----------------------------|-----------------------------|-----------------------------|---------------|----------------|
| 5x3 M4 | 2.150 | 1.700 | 1.000 | 525 | 330 | 0,23 | 0,90 |

4 pole (1.500 rpm.) – 400/3/50

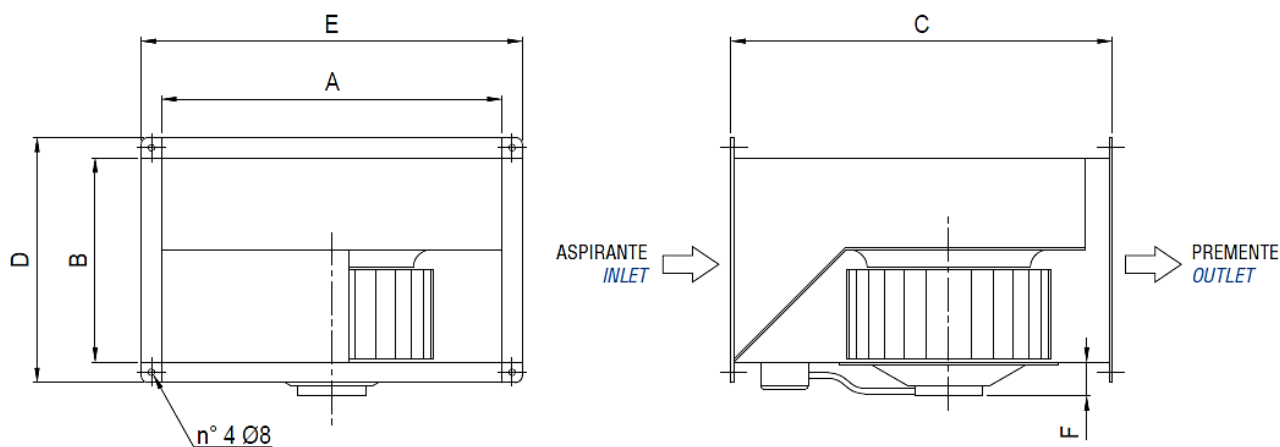
| Model | Capacity max. (m ³ /h) | 100 Pa m ³ /h | 200 Pa m ³ /h | 300 Pa m ³ /h | Pressure max. (Pa stat.) | Motor (kW) | In max. (A) |
|---------|--------------------------------------|-----------------------------|-----------------------------|-----------------------------|-----------------------------|---------------|----------------|
| 5x3 T4 | 2.100 | 1.650 | 925 | 450 | 320 | 0,21 | 0,50 |
| 6x3 T4 | 2.900 | 2.600 | 2.400 | 2.000 | 410 | 1,10/0,53 | 2,00/0,90 |
| 6x35 T4 | 3.400 | 3.000 | 2.700 | 2.400 | 560 | 2,40 | 4,40 |
| 7x4 T4 | 6.800 | 6.600 | 6.000 | 5.700 | 720 | 3,20 | 5,80 |

6 pole (1.000 rpm.) – 400/3/50

| Model | Capacity max. (m ³ /h) | 100 Pa m ³ /h | 200 Pa m ³ /h | 300 Pa m ³ /h | Pressure max. (Pa stat.) | Motor (kW) | In max. (A) |
|---------|--------------------------------------|-----------------------------|-----------------------------|-----------------------------|-----------------------------|---------------|----------------|
| 6x3 T6 | 2.400 | 2.150 | 1.500 | - | 240 | 0,43/0,21 | 0,80/0,40 |
| 6x35 T6 | 2.500 | 2.000 | 1.500 | - | 240 | 0,82 | 1,50 |
| 7x4 T6 | 4.900 | 4.600 | 3.900 | 3.000 | 320 | 1,15 | 2,20 |

[Types and changes reserved]

Indication dimensions VN-AxB



| | A | B | C | D | E | F |
|------|-----|-----|-----|-----|-----|----|
| 4x2 | 400 | 200 | 510 | 245 | 445 | 60 |
| 5x25 | 500 | 250 | 550 | 295 | 545 | 60 |
| 5x3 | 500 | 300 | 630 | 345 | 545 | 60 |
| 6x3 | 600 | 300 | 660 | 345 | 645 | 60 |
| 6x35 | 600 | 350 | 740 | 395 | 645 | 60 |
| 7x4 | 700 | 400 | 800 | 445 | 745 | 60 |

