

## VN-Turbo Plast



Plastic inline duct fan round.

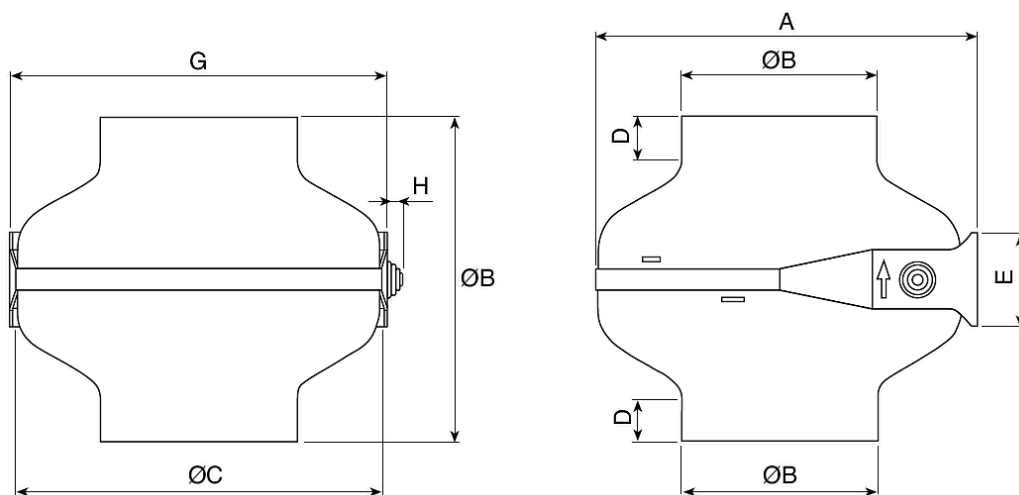
If you are looking for a fan with a specific working point, please don't hesitate to contact us by phone +31 (0)416 391999 or email info@ventinet.nl and we will select the right fan for you.

Size	100 up to 160
Motor (standard)	External rotor motor, 230/1/50
Capacity	up to 500 m <sup>3</sup> /h
Pressure	up to 300 Pa
Control	Transformer
Casing	Plastic
Accessories	Mounting parts / Grid/ Speed regulators

Model	Capacity max. (m <sup>3</sup> /h)	50 Pa m <sup>3</sup> /h	100 Pa m <sup>3</sup> /h	200 Pa m <sup>3</sup> /h	Pressure max. (Pa stat.)	Motor (W)	In max. (A)
100	250	220	180	100	304	60	0,3
125	370	320	260	150	294	60	0,3
150	460	380	310	180	285	60	0,3
160	500	410	340	185	285	60	0,3

[Types and changes reserved]

## Indication dimensions VN-Turbo Plast



	A	Ø B	Ø C	D	E	F	G	H
100	287	98	275	17	70	242	282	12
125	287	123	275	24	70	242	282	12
150	287	148	275	32	70	242	282	12
160	287	158	275	33	70	242	282	12