

VN-Line Metal



Inline duct fan round.

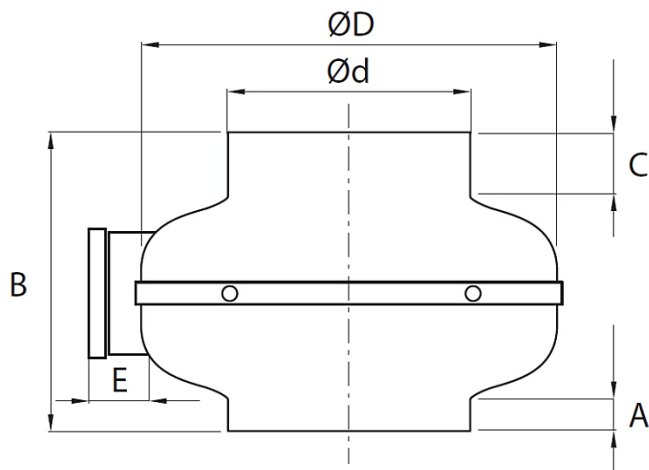
If you are looking for a fan with a specific working point, please don't hesitate to contact us by phone +31 (0)416 391999 or email info@ventinet.nl and we will select the right fan for you.

Sizes	100 up to 315
Motor (standard)	External rotor motor IP54, 230/1/50
Capacity	up to 1.350 m ³ /h
Pressure	up to 700 Pa
Control	Transformer
Casing	Steel epoxy coated
Accessories	Mounting parts / Shutters / Grids / Silencer / Speed regulators

Model	Capacity max. (m ³ /h)	150 Pa m ³ /h	250 Pa m ³ /h	400 Pa m ³ /h	Pressure max. (Pa stat.)	Motor (W)	In max. (A)
100 A	220	100	-	-	250	27	0,13
100 B	250	170	90	-	350	50	0,23
125 A	260	110	-	-	220	27	0,13
125 B	280	180	80	-	325	50	0,23
150 A	320	75	-	-	160	29	0,14
150 B	500	310	200	-	380	80	0,37
160 A	340	110	-	-	190	29	0,14
160 B	710	520	380	100	450	110	0,50
200	820	620	450	100	430	110	0,50
250	1150	810	650	320	510	150	0,65
315	1350	1190	1050	800	700	260	1,14

[Types and changes reserved]

Indication dimensions VN-Line Metal



	A	B	C	Ø D	Ø d	E
100 A	12	215	24	245	98	38
100 B	12	215	24	245	98	38
125 A	11	215	24	245	122	38
125 B	11	215	24	245	122	38
150 A	21	216	23	245	147	38
150 B	22	230	22	333	148	38
160 A	24	215	24	245	157	38
160 B	21	230	22	333	158	38
200	22	230	27	333	198	38
250	22	230	35	333	248	38
315	30	308	52	404	314	38

