


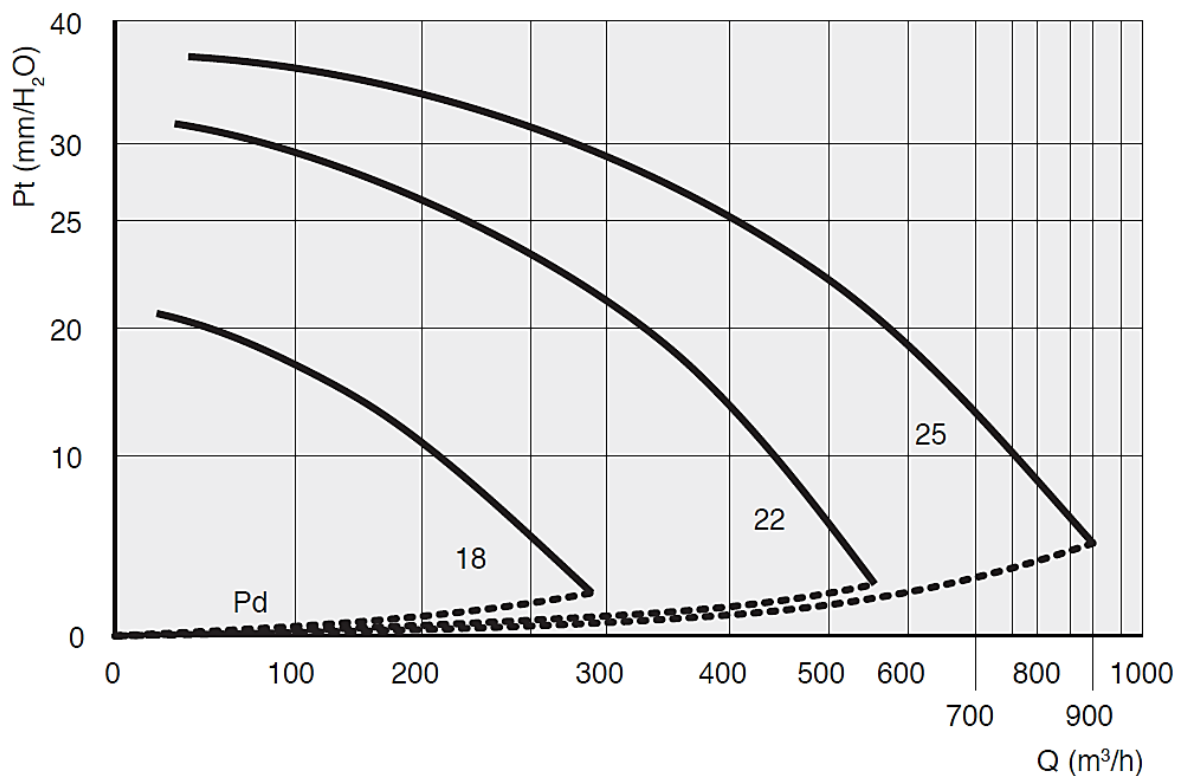
## VN-ERM Ex



### ATEX inline duct fan round

If you are looking for a fan with a specific working point, please don't hesitate to contact us by phone +31 (0)416 391999 or email [info@ventinet.nl](mailto:info@ventinet.nl) and we will select the right fan for you.

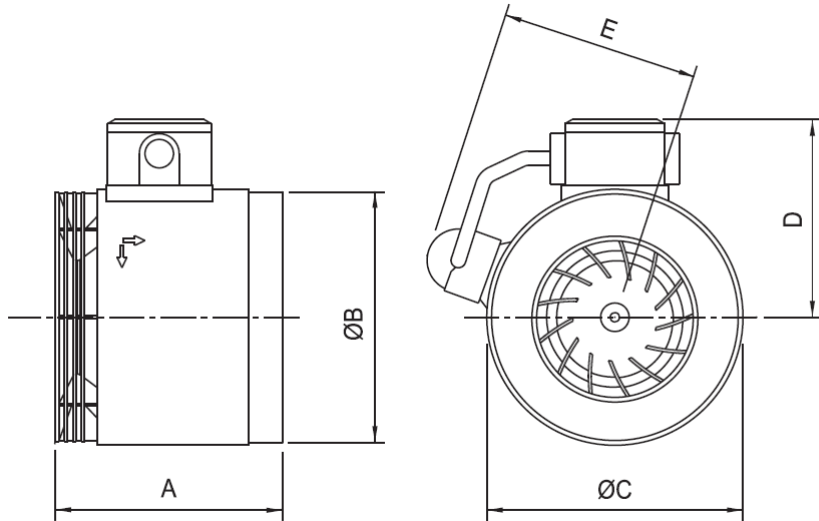
Sizes	18 – 22 – 25
Motor (standard)	Atex EEx-e IIB T3 motor, 230/1/50 
Capacity	up to 900 m <sup>3</sup> /h
Pressure	up to 350 Pa
Extra	Terminal box IP54 mounted on casing
Accessories	Mounting parts / Shutters / Grid



Model	U	Rpm.	Motor (kW)	In max. (A)
18	230/1/50	2760	0,06	0,28
22	230/1/50	2850	0,20	0,93
25	230/1/50	2890	0,30	1,42

[Types and changes reserved]

## Indication dimensions VN-ERM Ex



	A	Ø B	Ø C	D	E
18	161	175	180	137	140
22	175	221	230	165	165
25	205	245	255	178	180

