

VN-Plastic Duct ATEX



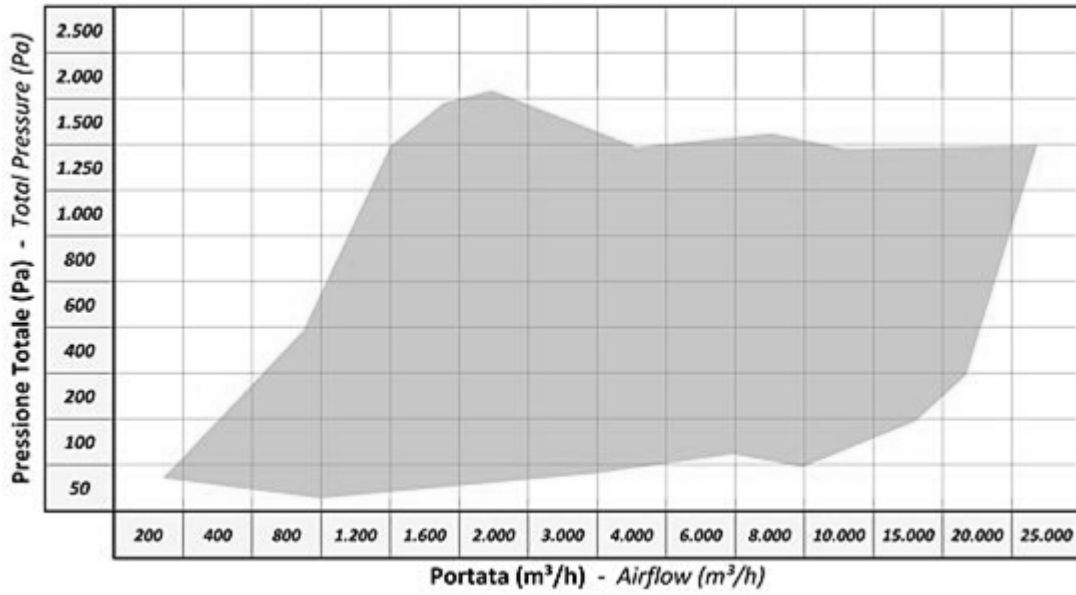
ATEX plastic centrifugal duct/roof fan.

The possibilities are extensive and besides the types below, there are more possibilities to achieve the required working point.

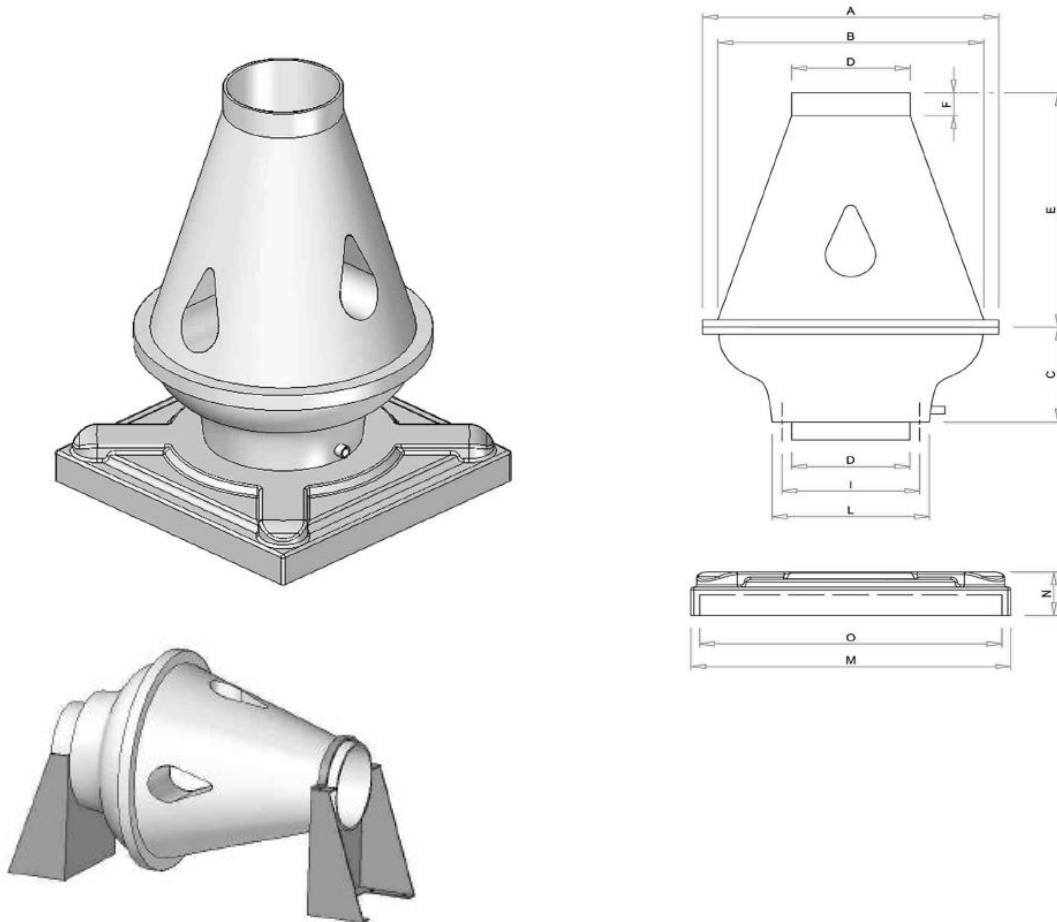
If you are looking for a fan with a specific working point, please don't hesitate to contact us by phone +31 (0)416 391999 or email info@ventinet.nl and we will select the right fan for you.

Sizes	200 up to 800 mm
Motor	Atex motor IP55, 230/1/50 or 400/3/50
Capacity	up to 25.000 m ³ /h
Pressure	up to 1.500 Pa
Control	Frequency converter
Casing	PE / PP / PVC
Impeller	PP / PVC / RVS 304, 316
Extra	Motors for different voltages, frequencies and with certificates
Atex	Gas : zone 1 II2G and 2 II3G Dust : zone 21 II2D and 22 II3D
Accessories	Protection grids / Flexible connections / Shutters / Silencers / Switches / Roof mounting kits / Frequency converters

VN-Plastic TCV

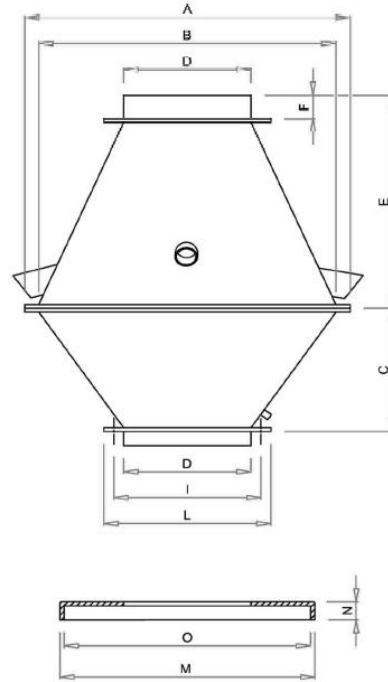
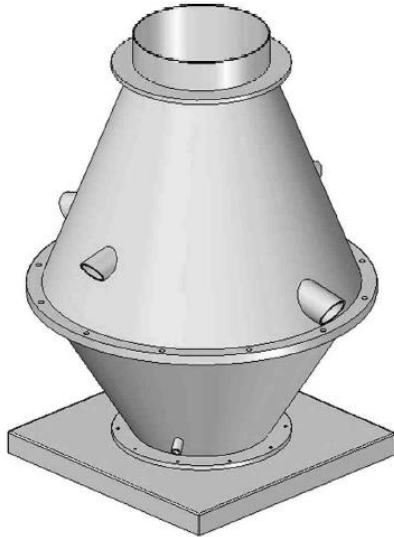


Indication dimensions TCV 200 - 450



Type	Motor (kW)	Rpm	A	B	C	D	E	F	I	No	L	M	N	O
204	0.12	1450	400	350	145	160	420	40	200	6	240	540	80	490
202	0.18	2850	400	350	145	160	420	40	200	6	240	540	80	490
254	0.12	1450	500	450	185	200	460	50	230	8	265	540	80	490
252	0.37	2850	500	450	185	200	460	50	230	8	265	540	80	490
314	0.25	1450	600	560	240	280	600	50	325	8	365	540	80	490
312	1.5	2850	600	560	240	280	600	50	325	8	365	540	80	490
356	0.18	930	600	560	240	280	600	50	325	8	365	540	80	490
354	0.37	1450	600	560	240	280	600	50	325	8	365	540	80	490
352	2.2	2850	600	560	240	280	600	50	325	8	365	540	80	490
456	0.37	930	800	730	280	355	700	50	405	8	450	750	100	700
454	1.1	1450	800	730	280	355	700	50	405	8	450	750	100	700

Indication dimensions TCV 500 - 800



Type	Motor (kW)	Rpm	A	B	C	D	E	F	I	No	L	M	N	O
506	0.55	930	1000	900	400	400	700	80	510	10	550	800	70	750
504	2.2	1450	1000	900	400	400	700	80	510	10	550	800	70	750
566	1.1	930	1150	1050	430	450	800	80	560	10	600	900	70	850
564	4	1450	1150	1050	430	450	800	80	560	10	600	900	70	850
636	2.2	930	1300	1200	450	500	900	80	610	10	650	1000	70	950
634	5.5	1450	1300	1200	450	500	900	80	610	10	650	1000	70	950
716	4	930	1350	1270	500	600	1000	80	710	10	750	1100	70	1050
714	11	1450	1350	1270	500	600	1000	80	710	10	750	1100	70	1050
806	7.5	930	160	1500	520	700	1300	80	810	10	850	1200	70	1150