

VN-Plastic Roof ATEX



ATEX plastic roof fan with backward curved blades.

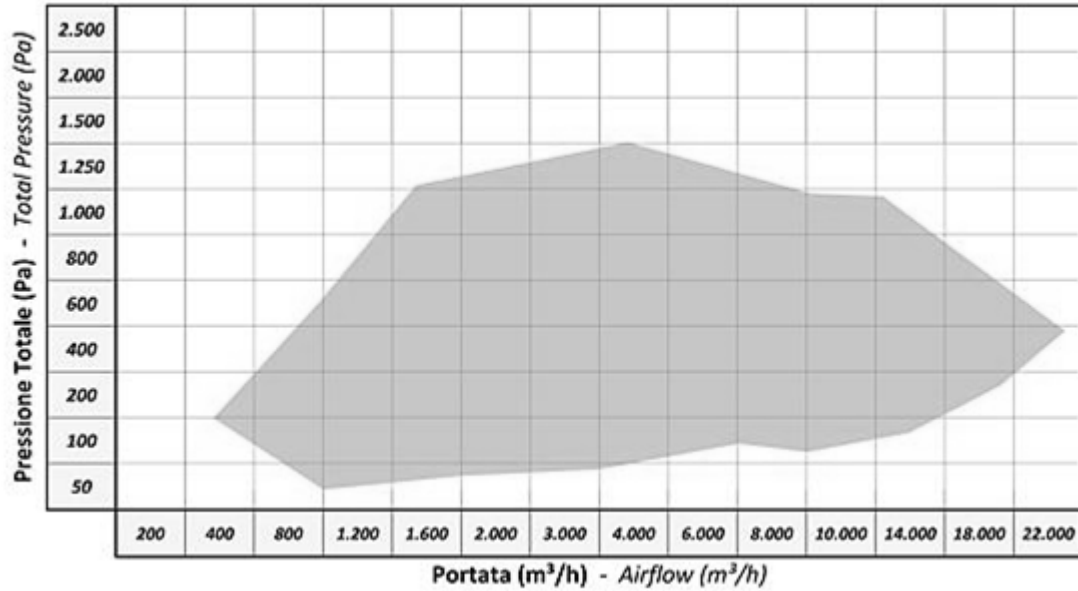
TCO / P-CO

The possibilities are extensive and besides the types below, there are more possibilities to achieve the required working point.

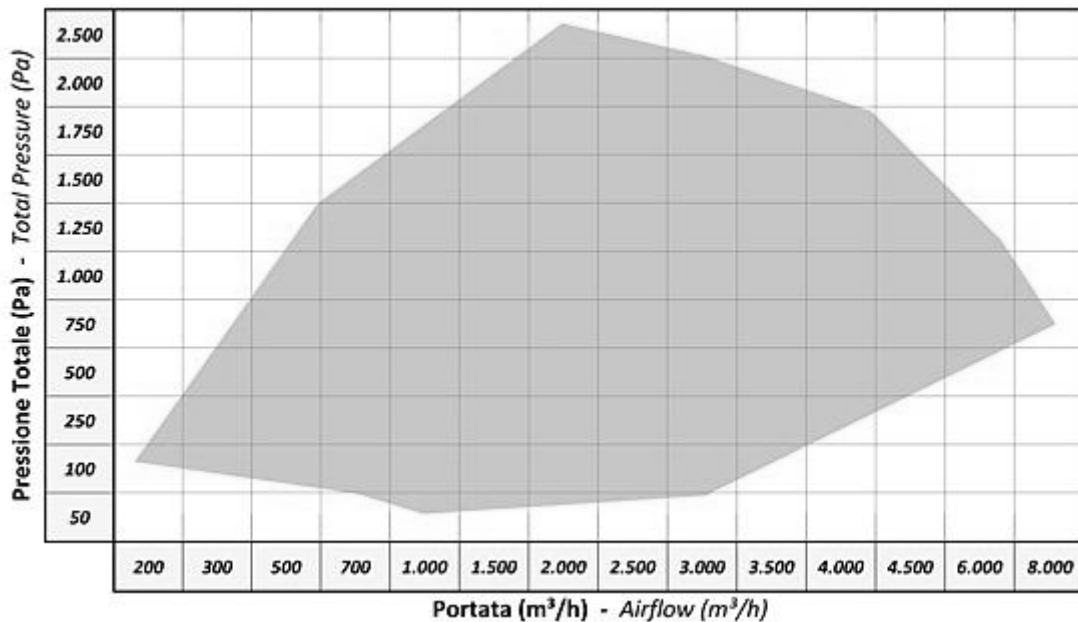
If you are looking for a fan with a specific working point, please don't hesitate to contact us by phone +31 (0)416 391999 or email info@ventinet.nl and we will select the right fan for you.

Sizes	200 up to 850 mm
Motor	Atex motor IP55, 230/1/50 or 400/3/50
Capacity	up to 22.000 m ³ /h
Pressure	up to 2.500 Pa
Control	Frequency converter
Casing	PE / PP / PVC
Impeller	PP / PVC / RVS 304, 316
Extra	Motors for different voltages, frequencies and with certificates
Atex	Gas : zone 1 II2G and 2 II3G Dust : zone 21 II2D and 22 II3D
Accessories	Protection grid / Silencer/ Shutters / Switches/ Roof mounting kit / Frequency converters

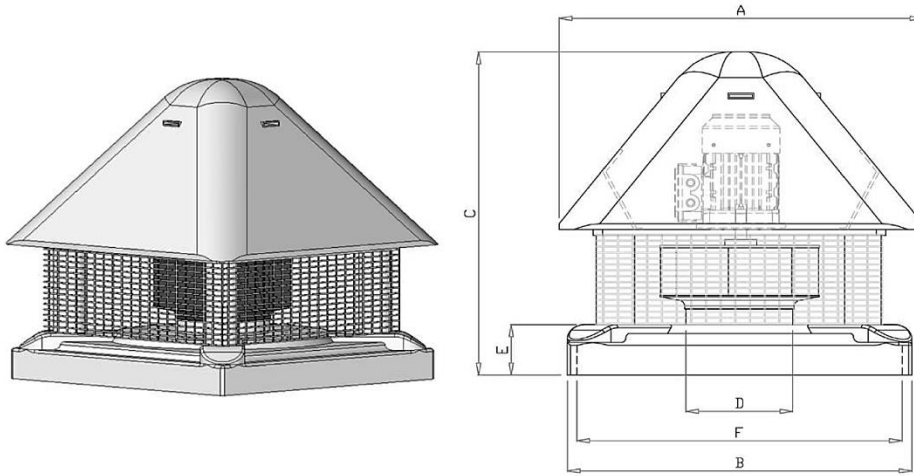
VN-Plastic TCO



VN-Plastic P-CO

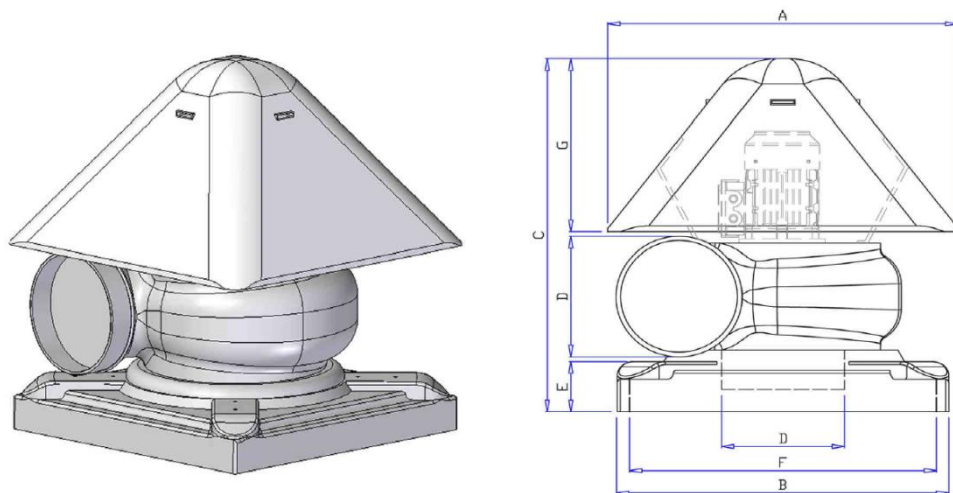


Indication dimensions TCO



Type	Motor (kW)	Rpm	A	B	C	D	E	F
204	0.12	1450	570	540	550	125	85	330
202	0.18	2850	570	540	550	125	85	330
254	0.12	1450	570	540	580	160	85	500
252	0.37	2850	570	540	580	160	85	500
284	0.18	1450	570	540	600	180	85	500
282	0.75	2850	570	540	600	180	85	500
316	0.18	930	660	540	610	200	85	500
314	0.25	1450	660	540	610	200	85	500
312	1.50	2850	660	540	610	200	85	500
356	0.18	930	660	540	640	225	85	500
354	0.37	1450	660	540	640	225	85	500
352	2.20	2850	660	540	640	225	85	500
406	0.25	930	840	750	685	250	100	700
404	0.55	1450	840	750	685	250	100	700
456	0.37	930	840	750	710	280	100	700
454	1.10	1450	840	750	710	280	100	700
506	0.55	930	1000	750	850	300	80	710
504	2.2	1450	1000	750	850	300	80	710
566	1.1	930	1000	850	1000	340	80	810
564	4	1450	1000	850	1000	340	80	810
636	2.2	930	1200	950	1050	390	80	900
634	5.5	1450	1200	950	1050	390	80	900
716	4	930	1200	1050	1200	500	80	1000
714	11	1450	1200	1050	1200	500	80	1000
806	5.5	930	1200	1200	1300	570	80	1150
856	7.5	930	1200	1200	1500	600	80	1150

Indication dimensions P-CO



Type	Motor (kW)	Rpm	A	B	C	D	E	F	G
204	0.12	1450	540	540	550	160	85	500	320
202	0.18	2750	540	540	550	160	85	500	320
224	0.12	1370	540	540	580	200	85	500	320
222	0.25	2800	540	540	580	200	85	500	320
254	0.12	1370	540	540	580	200	85	500	320
252	0.37	2800	540	540	580	200	85	500	320
284	0.18	1370	540	540	600	225	85	500	320
282	0.75	2850	540	540	600	225	85	500	320
316	0.18	930	660	540	610	250	85	500	360
314	0.25	1400	660	540	610	250	85	500	360
312	1.50	2850	660	540	640	250	85	500	360
356	0.18	930	660	540	640	280	85	500	360
354	0.37	1400	660	540	640	280	85	500	360
352	2.20	2870	660	540	685	280	85	500	360
406	0.25	920	660	750	685	315	100	700	360
404	0.55	1410	660	750	710	315	100	700	360
456	0.37	920	660	750	710	355	100	700	360
454	1.10	1410	660	750	710	355	100	700	360