

## VN-Plastic R ATEX



ATEX plastic centrifugal fan with open blades.

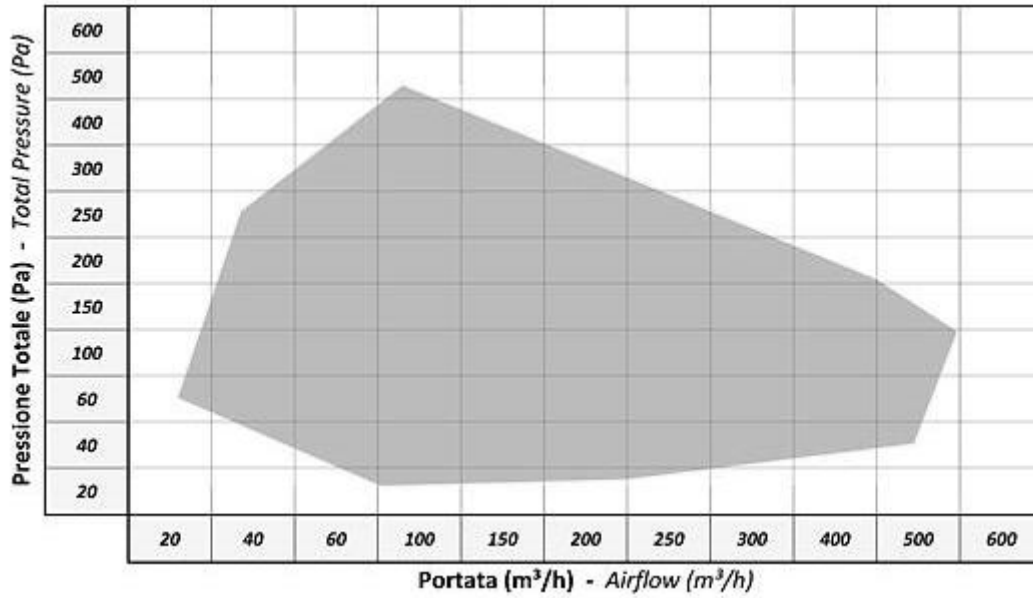
PCM / PAS

The possibilities are extensive and besides the types below, there are more possibilities to achieve the required working point.

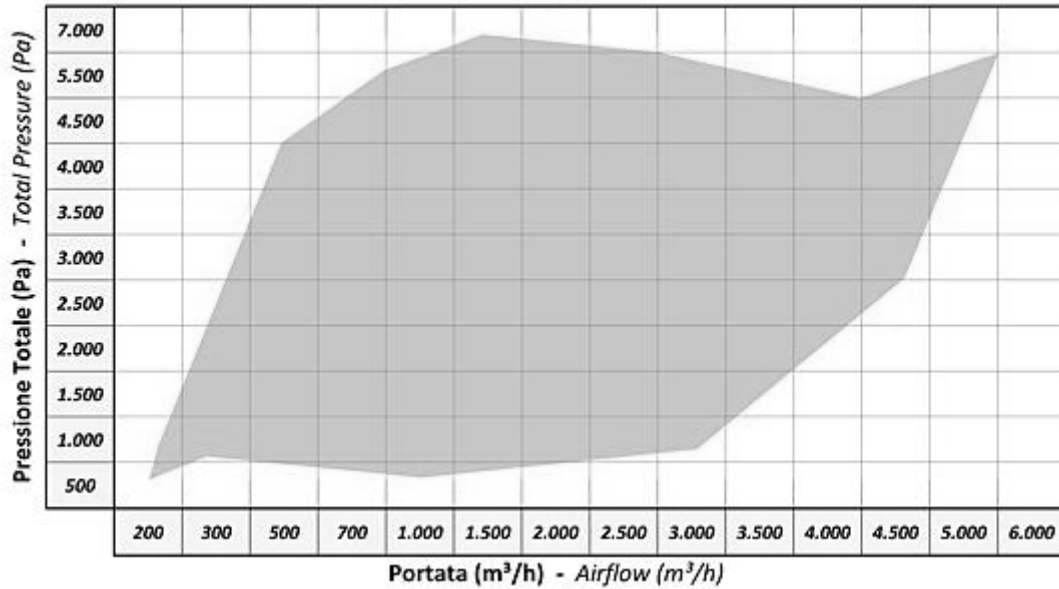
If you are looking for a fan with a specific working point, please don't hesitate to contact us by phone +31 (0)416 391999 or email [info@ventinet.nl](mailto:info@ventinet.nl) and we will select the right fan for you.

Sizes	75 up to 630 mm
Motor	Atex motor IP55, 230/1/50 or 400/3/50
Capacity	up to 5.500 m <sup>3</sup> /h
Pressure	up to 7.000 Pa
Control	Frequency converter
Casing	PE / PP / PVC
Impeller	PP / PVC / RVS 304, 316
Extra	Motors for different voltages, frequencies and with certificates
Atex	Gas : zone 1 II2G and 2 II3G    Dust : zone 21 II2D and 22 II3D
Accessories	Protection grids / Flexible connections / Flanges / Anti-vibration mounts / Drain / Shutters / Silencers / Switches / Sound insulated cabins / Frequency converters

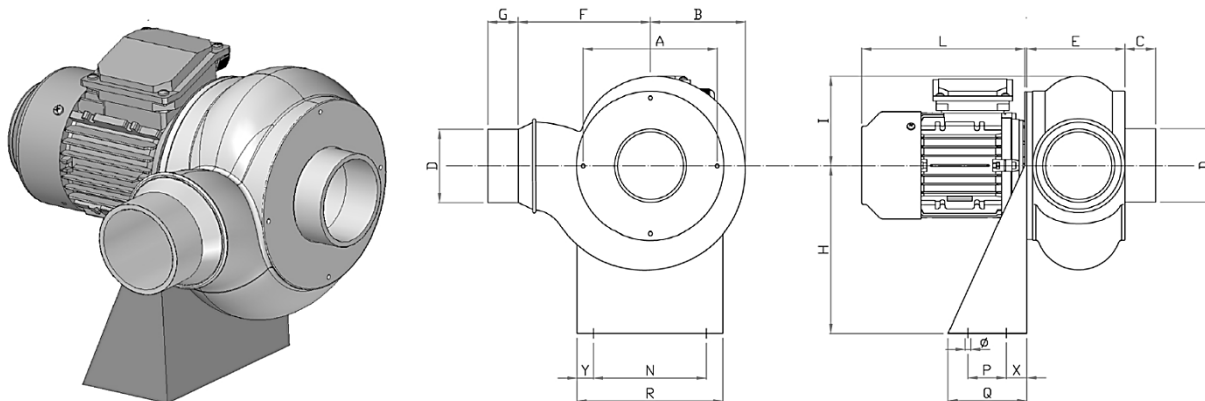
## VN-Plastic PCM



## VN-Plastic PAS

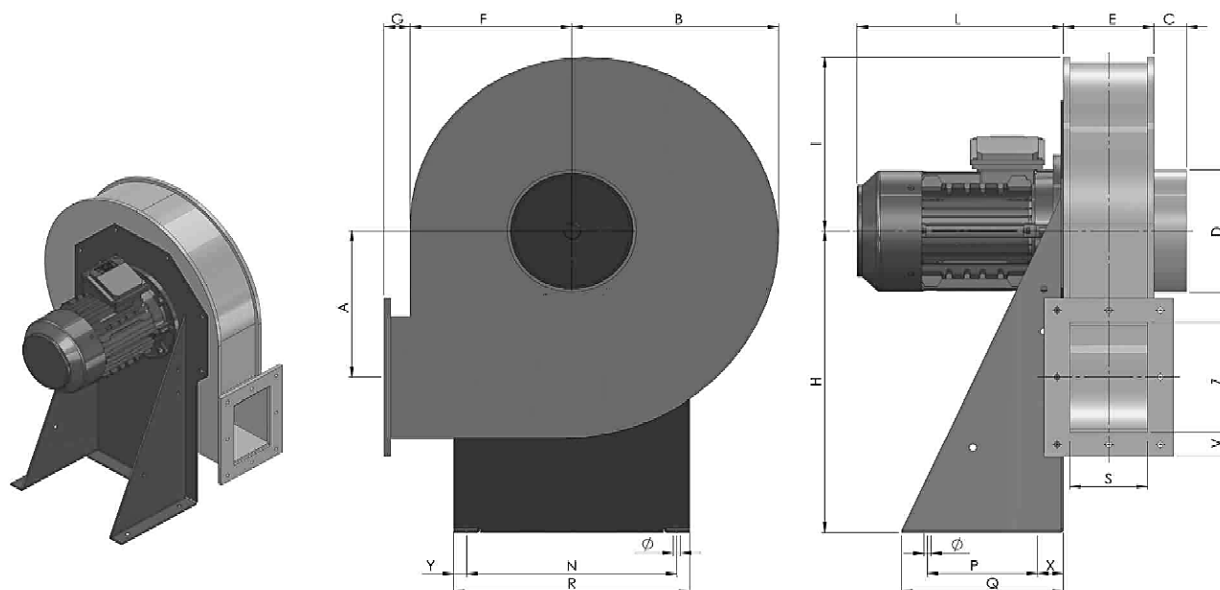


## Indication dimensions PCM



Type	Motor (kW)	Rpm	A	B	C	D	E	F	G	H	I	L	N	P	Q	R	Y	X	φ
125/75	0.09	1400	139	100	30	75	105	122	30	172	98	170	117	40	82	155	19	22	10
	0.12	2800	139	100	30	75	105	122	30	172	98	170	117	40	82	155	19	22	10
150/90	0.09	1400	170	120	30	90	126	190	30	190	112	170	151	40	82	189	19	22	10
	0.12	2800	170	120	30	90	126	190	30	190	112	170	151	40	82	189	19	22	10
150/110	0.09	1400	170	120	30	110	126	150	30	190	112	170	151	40	82	189	19	22	10
	0.12	2800	170	120	30	110	126	150	30	190	112	170	151	40	82	189	19	22	10

## Indication dimensions PAS



Type	Motor (kW)	Rpm	A	B	C	D	E	F	G	H	I	L
252	0.37	2800	160	205	50	125	100	172	40	310	187	219
282	0.55	2800	175	229	50	140	110	190	40	350	215	240
312	0.75	2800	190	236	50	150	120	206	40	410	221	270
352	1.5	2800	215	276	50	160	130	225	40	445	255	290
402	2.2	2800	240	320	50	180	140	250	40	495	285	290
452	4	2800	270	360	50	200	155	280	50	550	320	360
502	7.5	2800	300	400	50	225	180	312	50	630	356	380
562	11	2800	340	448	50	250	200	350	50	710	400	539
632	15	2800	380	485	50	280	240	465	50	800	446	539

Type	Motor (kW)	Rpm	N	P	Q	R	S	T	U	V	X1	X2	Y	Z	φ
252	0.37	2800	255	100	140	290	80	-	-	40	-	-	18	130	11
282	0.55	2800	280	120	190	316	90	-	-	40	-	-	18	140	11
312	0.75	2800	320	150	230	355	100	-	-	40	-	-	18	150	11
352	1.5	2800	355	150	230	390	110	-	-	40	-	-	18	160	11
402	2.2	2800	325	170	250	365	120	-	-	40	-	-	20	180	11
452	4	2800	370	268	344	410	135	-	-	50	-	-	20	200	11
502	7.5	2800	385	345	-	420	150	355	803	50	30	15	18	220	11
562	11	2800	445	435	-	480	170	355	893	50	40	15	18	250	11
632	15	2800	549	520	-	585	210	400	1030	50	40	15	18	280	11