

VN-Plastic F ATEX



ATEX plastic centrifugal fan with forward curved blades.

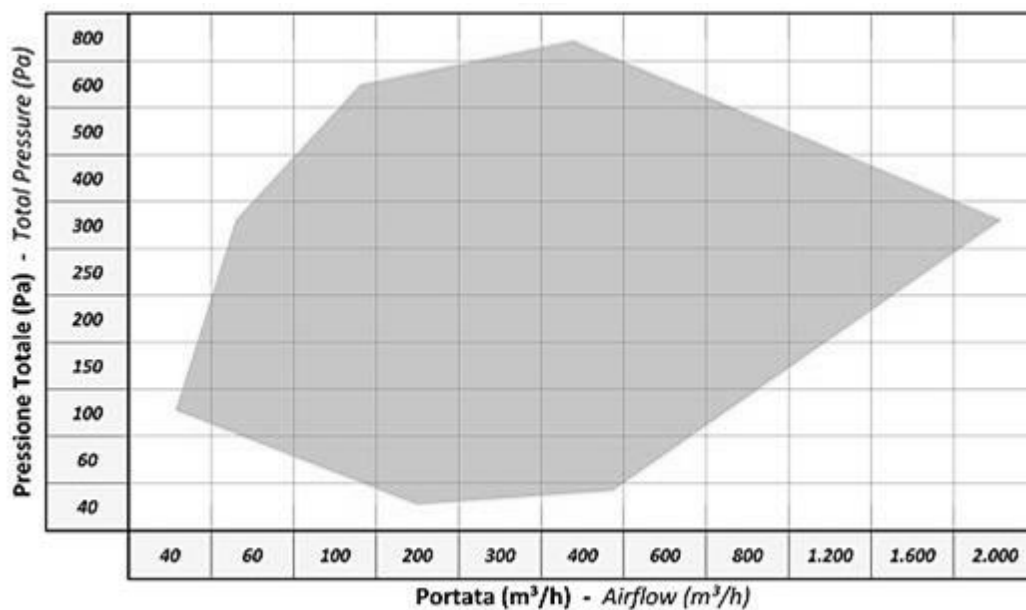
PA / PC / PMS / PHS / PC-T

The possibilities are extensive and besides the types below, there are more possibilities to achieve the required working point.

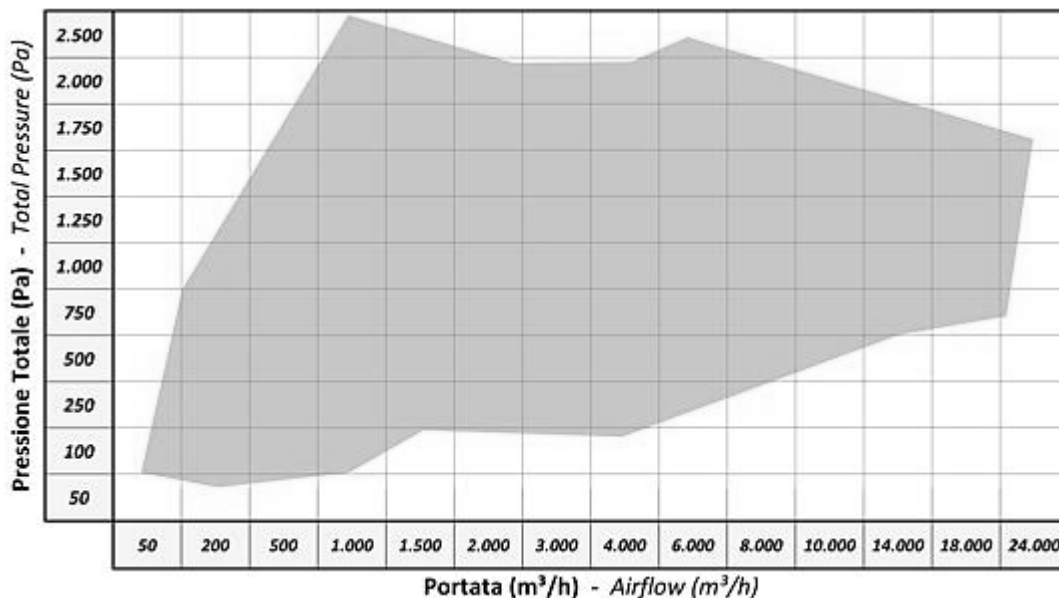
If you are looking for a fan with a specific working point, please don't hesitate to contact us by phone +31 (0)416 391999 or email info@ventinet.nl and we will select the right fan for you.

Sizes	130 up to 800 mm
Motor	Atex motor IP55, 230/1/50 or 400/3/50
Capacity	up to 25.000 m ³ /h
Pressure	up to 5.000 Pa
Control	Frequency converter
Casing	PE / PP / PVC
Impeller	PP / PVC / RVS 304, 316
Extra	Motors for different voltages, frequencies and with certificates
Atex	Gas : zone 1 II2G and 2 II3G Dust : zone 21 II2D and 22 II3D
Accessories	Protection grids / Flexible connections / Flanges / Anti-vibration mounts / Drain / Shutters / Silencers / Switches / Sound insulated cabins / Frequency converters

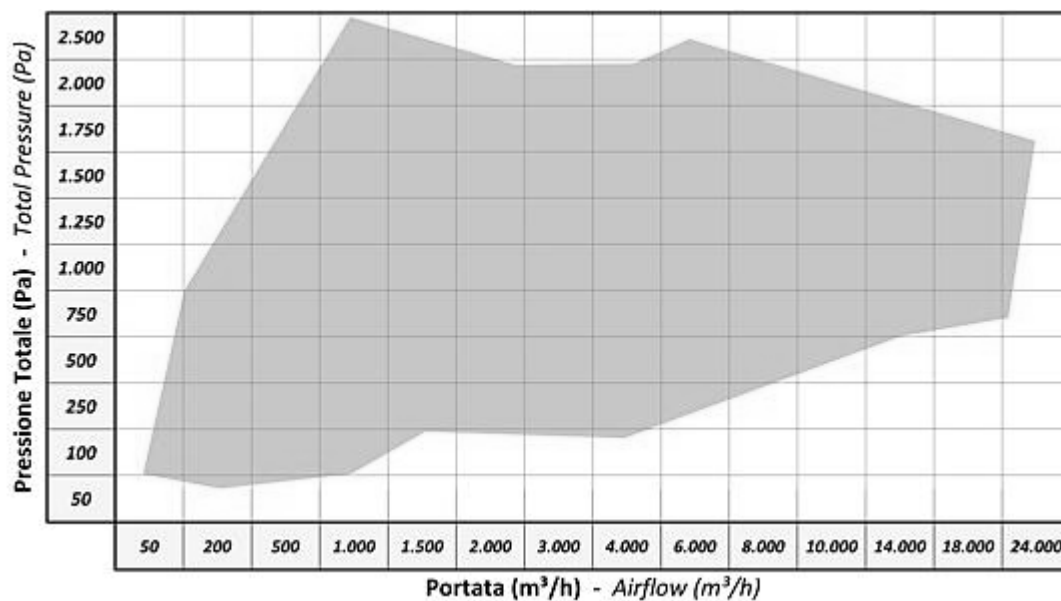
VN-Plastic PA



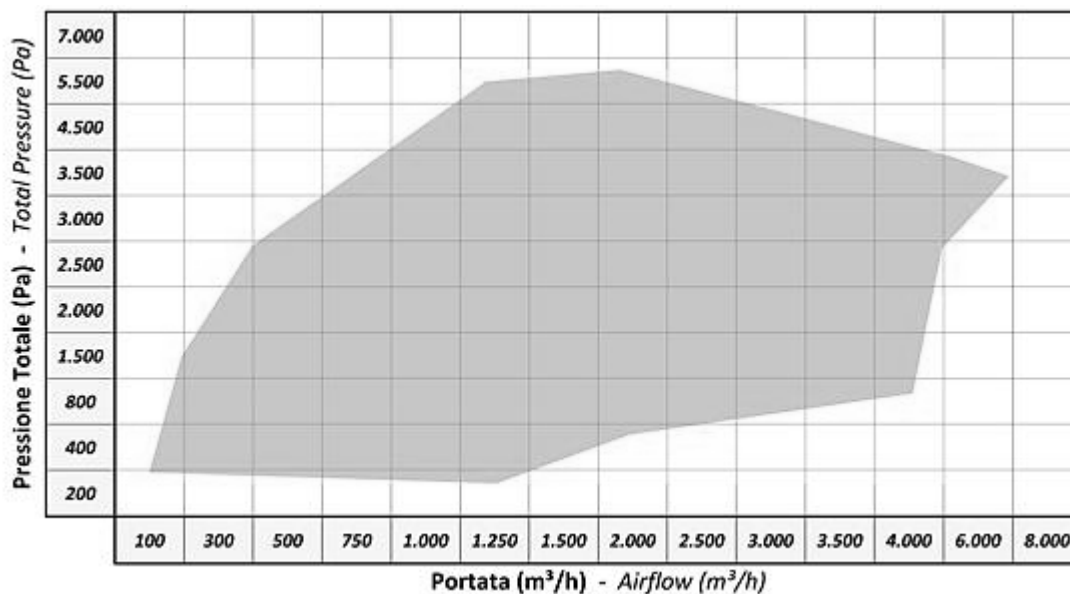
VN-Plastic PC 20-40



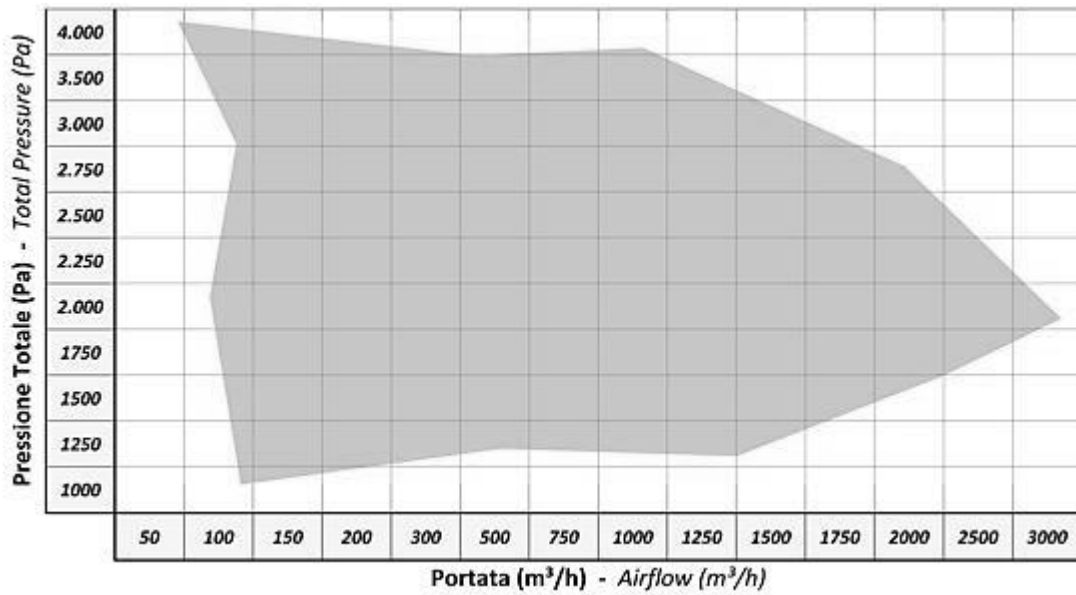
VN-Plastic PC 45-80



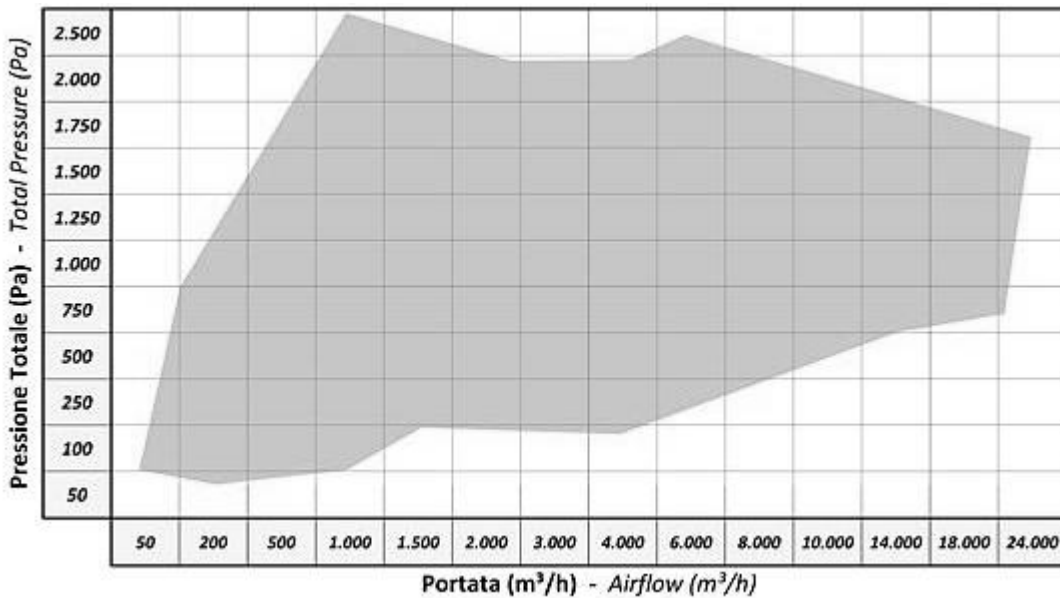
VN-Plastic PMS



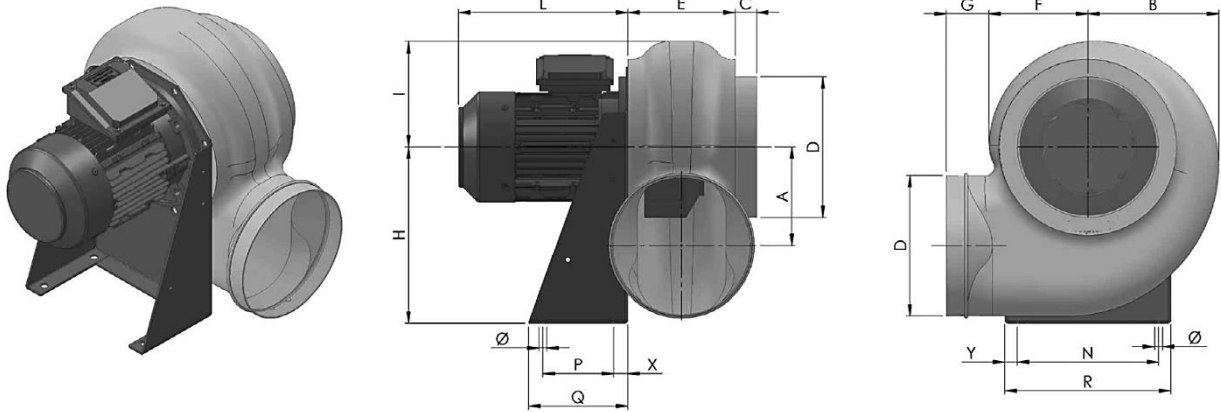
VN-Plastic PHS



VN-Plastic PC-T

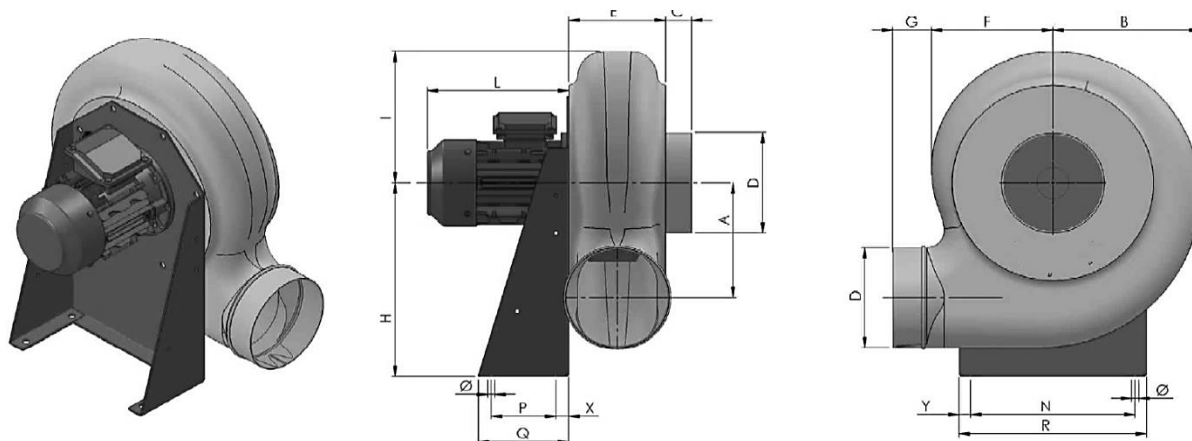


Indication dimensions PA



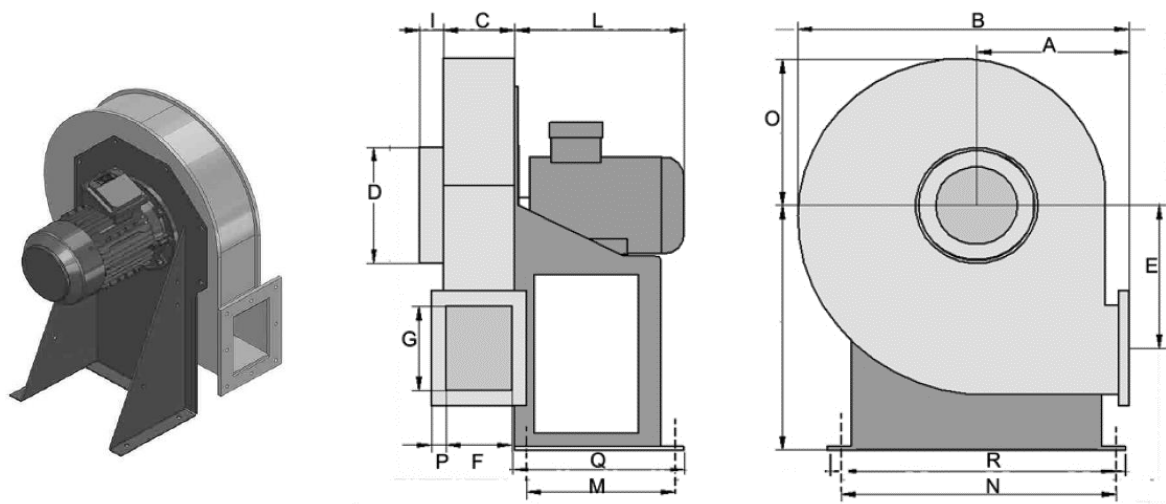
Type	Motor (kW)	Rpm	A	B	C	D	E	F	G	H	I	L	N	P	Q	R	Y	X	Ø
134	0.12	1400	90	125	25	125	110	94	55	170	110	190	210	50	85	235	12.5	17.5	11
132	0.18	2800	90	125	25	125	110	94	55	170	110	190	210	50	85	235	12.5	17.5	11
164	0.12	1400	110	140	30	140	125	123	55	205	130	190	240	80	120	270	15	20	11
162	0.37	2800	110	140	30	140	125	123	55	205	130	220	240	80	120	270	15	20	11
204	0.25	1400	140	185	30	200	155	140	60	250	150	210	200	100	140	235	17.5	20	11
202	1.1	2800	140	185	30	200	155	140	60	250	150	260	200	100	140	235	17.5	20	11

Indication dimensions PC 20 – 40



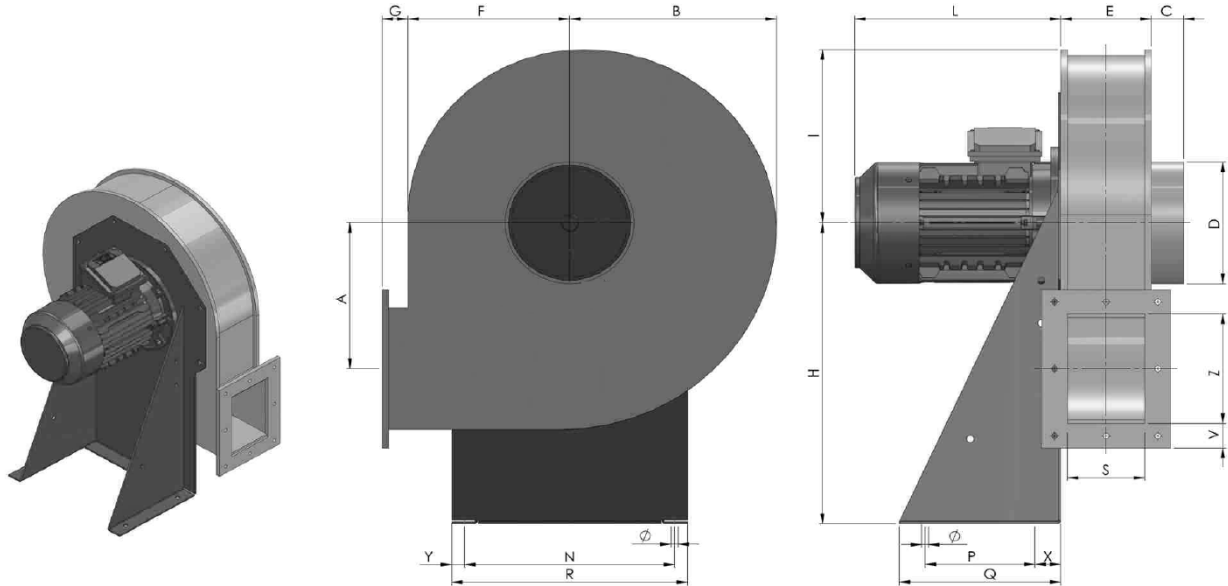
Type	Motor (kW)	Rpm	A	B	C	D	E	F	G	H	I	L	N	P	Q	R	Y	X	φ
204	0.12	1370	142	187	40	125	120	150	60	250	165	190	200	100	140	235	17.5	20	11
202	0.25	2850	142	187	40	125	120	150	60	250	165	195	200	100	140	235	17.5	20	11
254	0.18	1370	183	228	40	160	153	188	60	310	210	190	255	100	140	290	17.5	20	11
252	0.75	2850	183	228	40	160	153	188	60	310	210	220	255	100	140	290	17.5	20	11
284	0.18	1370	208	274	40	180	160	204	60	350	230	190	277	120	190	316	18	35	11
282	1.1	2850	208	274	40	180	160	204	60	350	230	240	277	120	190	316	18	35	11
316	0.12	930	230	310	40	200	170	220	60	410	245	210	320	150	230	355	17.5	40	11
314	0.25	1400	230	310	40	500	170	220	60	410	245	210	320	150	230	355	17.5	40	11
312	1.5	2850	230	310	40	500	170	220	60	410	245	290	320	150	230	355	17.5	40	11
406	0.25	920	290	380	40	250	194	265	80	495	330	220	330	170	250	365	20	40	11
404	0.75	1410	290	380	40	250	194	265	80	495	330	240	330	170	250	365	20	40	11
402	4	2850	290	380	40	250	194	265	80	495	330	325	330	270	315	365	20	40	11
402	5.5	2850	290	380	40	250	194	265	80	495	330	365	330	270	340	365	20	40	11

Indication dimensions PC 45 – 80



Type	Motor (kW)	Rpm	A	B	C	ØD	E	F	G	H	I	L	M	N	O	P	Q	R
504	2.2	1450	400	890	270	315	377	260	365	630	80	355	197	290	395	50	275	340
506	0.75	900	400	890	270	315	377	260	365	630	80	320	197	290	395	50	275	340
564	5.5	1450	438	998	320	400	416	310	460	710	80	480	237	289	445	50	315	340
566	2.2	900	438	998	320	400	416	310	460	710	80	380	237	289	445	50	315	340
634	7.5	1450	468	1041	340	450	406	330	480	800	80	480	237	337	492	50	315	390
636	3	900	468	1041	340	450	406	330	480	800	80	480	237	337	492	50	315	390
704	11	1450	500	1190	430	500	527	420	520	850	100	550	316	772	571	50	400	836
804	30	1450	500	1300	480	560	591	420	520	850	100	640	360	862	640	50	440	940

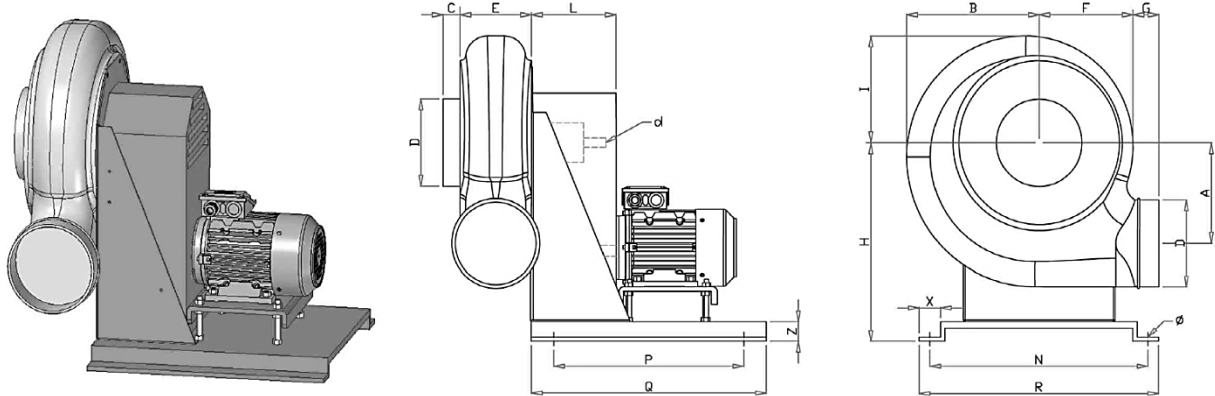
Indication dimensions PMS



Type	Motor (kW)	Rpm	A	B	C	D	E	F	G	H	I	L
252	0.37	2800	160	205	50	140	100	172	40	310	187	219
282	0.55	2800	175	229	50	150	110	190	40	350	215	240
312	0.75	2800	190	236	50	160	120	206	40	410	221	270
352	1.5	2800	215	276	50	180	120	225	40	445	255	290
402	3	2800	240	320	50	200	140	250	40	495	285	319
452	5.5	2800	270	360	50	255	155	280	50	550	320	380
502	11	2800	300	400	50	250	180	312	50	630	356	539
562	15	2800	340	448	50	280	200	350	50	710	400	539

Type	Motor (kW)	Rpm	N	P	Q	R	S	T	U	V	X	Y	Z	Ø
252	0.37	2800	255	100	140	290	80			40	20	18	130	11
282	0.55	2800	280	120	190	316	90			40	35	18	140	11
312	0.75	2800	320	150	230	355	100			40	40	18	150	11
352	1.5	2800	355	150	230	390	110			40	40	18	160	11
402	3	2800	325	170	250	365	120			40	40	20	180	11
452	5.5	2800	370	268	344	410	135			50	40	20	200	11
502	11	2800	385	345		420	150	335	803	50	25	18	220	11
562	15	2800	445	435		480	170	355	893	50	25	18	250	11

Indication dimensions PC-T



Type	A	B	C	D	E	F	G	H	I	L	N	P	Q	R	X	Z	ø	d
20	142	187	40	125	120	150	60	250	165	145	345	345	485	375	40	35	11	19
25	183	228	40	160	153	188	60	310	210	145	345	345	485	375	40	35	11	19
28	208	274	40	180	160	204	60	350	230	165	345	345	485	375	40	35	11	24
31	230	310	40	200	170	220	60	410	245	165	512	420	560	550	40	35	11	24
40	290	380	40	250	194	265	80	495	330	185	512	420	560	550	40	35	11	28