

## VN-Roof HP F400



### Centrifugal roof fan for smoke exhaust 200°C and F400

If you are looking for a fan with a specific working point, please don't hesitate to contact us by phone +31 (0)416 391999 or email [info@ventinet.nl](mailto:info@ventinet.nl) and we will select the right fan for you.

The fans are suitable to extract smoke and hot air and are certificated following EN 12101-3:2015 in class F400.

Sizes	400 up to 1.000 mm
Motor (standard)	Norm motor IP55, 230/1/50 or 400/50
Capacity	up to 52.000 m <sup>3</sup> /h
Pressure	up to 1.900 Pa
Control	Frequency converter s
Casing	Steel with aluminum
Impeller	Backward curved, steel galvanized
Extra	Suitable for high temperatures up to <b>200°C</b> continuously and <b>400°C</b> for 120 minutes (F400).
Accessories	Protection grid / Silencer/ Shutters / Switches/ Terminal box / Roof mounting kit / Frequency converter s

## 4 pole (1.500 rpm.) – 400/3/50

Model	Capacity max. (m <sup>3</sup> /h)	200 Pa m <sup>3</sup> /h	500 Pa m <sup>3</sup> /h	1000 Pa m <sup>3</sup> /h	Pressure max. (Pa stat.)	Motor (kW)	In max. (A)
404 T	4.700	3.600	-	-	450	0,55	1,48
454 T	6.700	5.500	2.500	-	560	1,1	2,70
504 T	9.100	8.000	5.200	-	650	1,5	3,50
564 T	13.300	12.000	9.100	-	900	3	6,40
634 T	19.300	17.800	15.500	8.500	1200	5,5	10,8
714/A T	23.200	22.000	19.000	12.500	1300	7,5	14,3
714/B T	27.500	26.500	23.000	17.000	1500	11	20,9
804/A T	36.400	35.000	32.000	25.000	1750	15	28,1
804/B T	39.500	38.000	35.000	28.500	1900	18,5	33,3

## 6 pole (1.000 rpm.) – 400/3/50

Model	Capacity max. (m <sup>3</sup> /h)	100 Pa m <sup>3</sup> /h	200 Pa m <sup>3</sup> /h	500 Pa m <sup>3</sup> /h	Pressure max. (Pa stat.)	Motor (kW)	In max. (A)
406 T	3.100	2.250	-	-	190	0,37	1,17
456 T	4.500	3.450	2.250	-	250	0,55	1,72
506 T	6.100	5.000	3.950	-	300	0,55	1,72
566 T	8.700	7.800	6.100	-	400	1,5	4,00
636 T	12.400	12.000	11.000	4.500	580	2,2	5,12
716/A T	15.500	14.000	13.000	7.000	600	3	7,00
716/B T	18.300	17.000	16.000	10.000	700	4	8,90
806/B T	26.000	25.000	23.500	17.500	800	5,5	12,0
906 T	37.000	36.000	34.500	27.500	1100	11	22,4
1006/A T	43.100	41.500	40.000	34.000	1150	15	29,4
1006/B T	52.000	50.000	48.000	42.000	1350	18,5	35,3

## 8 pole (700 rpm.) – 400/3/50

Model	Capacity max. (m <sup>3</sup> /h)	100 Pa m <sup>3</sup> /h	200 Pa m <sup>3</sup> /h	500 Pa m <sup>3</sup> /h	Pressure max. (Pa stat.)	Motor (kW)	In max. (A)
908 T	27.500	26.000	23.500	12.000	600	5,5	12,4
1008 T	38.000	37.000	34.500	23.500	750	7,5	16,3

## 4/6 pole (1.500/1.000 rpm.) – 400/3/50

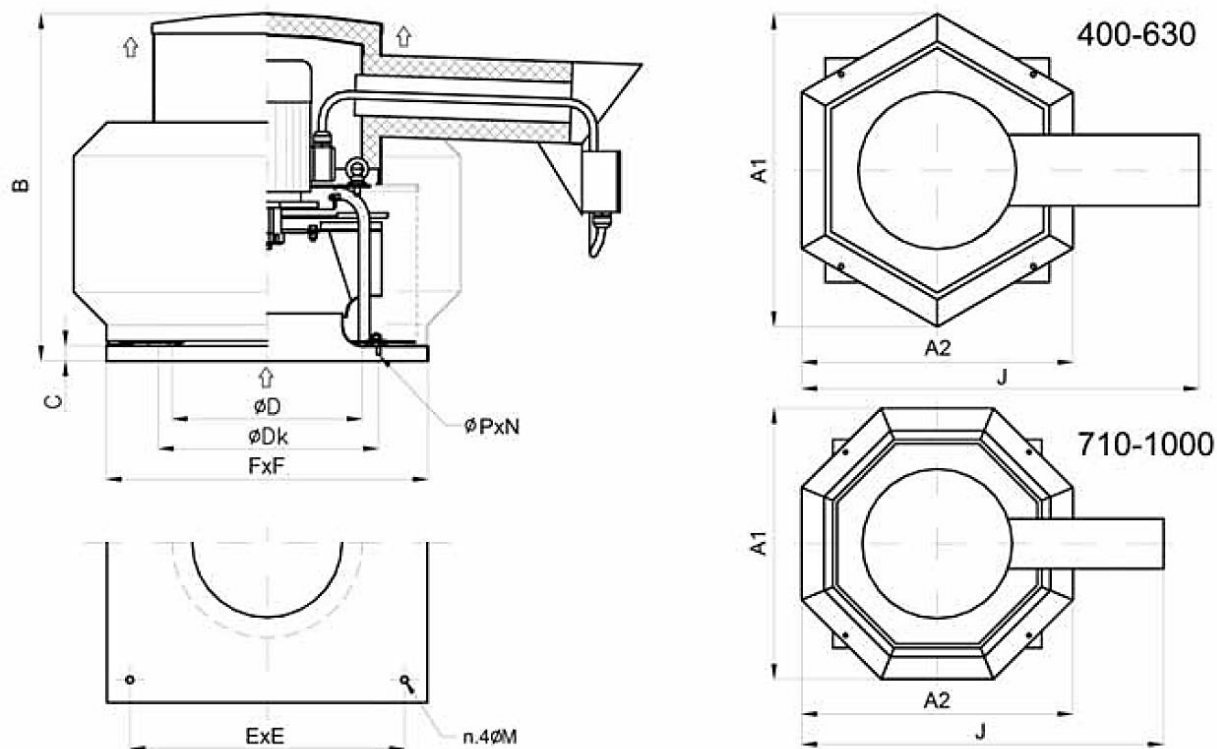
Model	Capacity max. (m <sup>3</sup> /h)	Motor (kW)	In max. (A)
404-6 T	4.700/3.100	0,6/0,20	1,69/1,02
454-6 T	6.700/4.500	1/0,35	3,13/1,36
504-6 T	9.100/6.100	1,5/0,4	4,63/1,46
564-6 T	13.300/8.700	3/1	7,80/2,88
634-6 T	19.300/12.400	6/2,2	11,8/5,66
714-6 A T	23.200/15.500	10/3,3	21,1/8,40
714-6 B T	27.500/18.300	13/4,4	25,3/10,8
804-6A T	36.400/24.500	16/5,4	30,5/13,9

## 4/8 pole (1.500/700 rpm.) – 400/3/50

Model	Capacity max. (m <sup>3</sup> /h)	Motor (kW)	In max. (A)
404-8 T	4.700/2.400	0,6/0,12	1,72/0,75
454-8 T	6.700/3.300	1,4/0,3	3,63/1,21
504-8 T	9.100/4.400	1,8/0,4	4,44/1,43
564-8 T	13.300/6.500	2,8/0,7	6,30/2,42
634-8 T	19.300/9.600	6,5/1,8	13,9/5,62
714-8 A T	23.200/11.600	10/2,5	20,2/6,60
714-8 B T	27.500/13.800	12,5/3,5	23,4/8,30
804-8 A T	36.400/13.800	16/4,5	29,9/11,0

[Types and changes reserved]

## Indication dimensions VN-Roof HT F400



Model	A1	A2	J	B	C	$\phi D$	$\phi Dk$	E	F	$\phi M$	n°P	$\phi N$
400	780	675	1009	615	30	315	356	480	560	12	8	M 8
450	880	762	1116	690	30	400	438	540	630	12	6	M 8
500	980	849	1232	740	40	450	487	610	710	14	6	M 8
560	1100	593	1361	830	40	500	541	700	800	14	6	M 8
630	1315	1140	1548	960	40	560	605	780	900	14	8	M 10
710	1300	1300	1735	1130	50	630	674	880	1000	18	8	M 10
800	1490	1490	2027	1270	50	710	751	1000	1120	18	8	M 10
900	1650	1650	2183	1305	50	800	837	1100	1250	22	12	M 10
1000	1850	1850	2437	1400	50	900	934	1250	1400	22	12	M 10