

VN-Roof CV ER



Centrifugal roof fan with external rotor motor

If you are looking for a fan with a specific working point, please don't hesitate to contact us by phone +31 (0)416 391999 or email info@ventinet.nl and we will select the right fan for you.

| | |
|------------------|--|
| Sizes | 250 up to 400 mm |
| Motor (standard) | External rotor motor IP44, 230/1/50 or 400/3/50 |
| Capacity | up to 3.800 m ³ /h |
| Pressure | up to 430 Pa |
| Control | Transformer |
| Casing | Steel with aluminum or plastic cover |
| Impeller | Steel galvanized |
| Airflow | Extract fan |
| Extra | Compact and easy to adjust the speed |
| Accessories | Protection grid / Silencer/ Shutters / Switches/ Terminal box / Roof mounting kit / Speed regulators |

2 pole (3.000 rpm.) – 230/1/50

| Model | Capacity max. (m ³ /h) | 100 Pa m ³ /h | 250 Pa m ³ /h | 400 Pa m ³ /h | Pressure max. (Pa stat.) | Motor (kW) | In max. (A) |
|-------|--------------------------------------|-----------------------------|-----------------------------|-----------------------------|-----------------------------|---------------|----------------|
| 252 M | 1.000 | 800 | 550 | 290 | 430 | 0,20 | 0,90 |

4 pole (1.500 rpm.) – 230/1/50

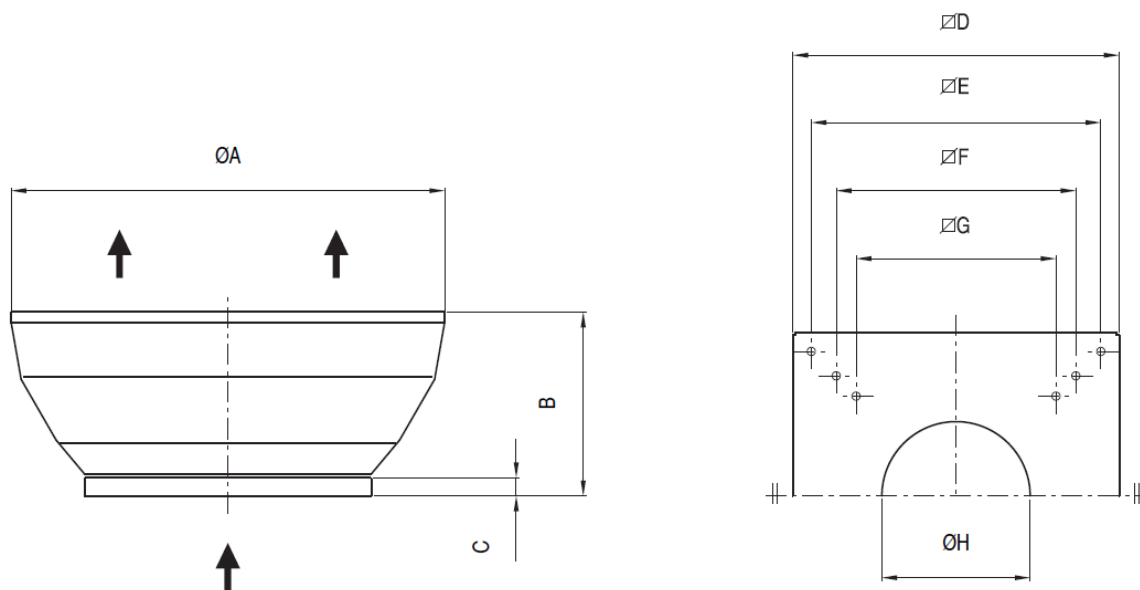
| Model | Capacity max. (m ³ /h) | 50 Pa m ³ /h | 200 Pa m ³ /h | 400 Pa m ³ /h | Pressure max. (Pa stat.) | Motor (kW) | In max. (A) |
|-------|--------------------------------------|----------------------------|-----------------------------|-----------------------------|-----------------------------|---------------|----------------|
| 254 M | 800 | 600 | - | - | 120 | 0,12 | 0,80 |
| 314 M | 1.300 | 1.000 | - | - | 160 | 0,17 | 0,70 |
| 354 M | 2.500 | 2.100 | 1.500 | - | 330 | 0,40 | 1,80 |

4/6 pole (1.500 / 1.000 rpm.) – 400/3/50

| Model | Capacity max. (m ³ /h) | 50 Pa m ³ /h | 150 Pa m ³ /h | 300 Pa m ³ /h | Pressure max. (Pa stat.) | Motor (kW) | In max. (A) |
|-------|--------------------------------------|----------------------------|-----------------------------|-----------------------------|-----------------------------|---------------|----------------|
| 31 H | 1.500 | 1.300 | 900 | - | 230 | 0,18 | 0,35 |
| 31 L | 1.000 | 700 | - | - | 100 | | 0,20 |
| 35 H | 2.700 | 2.500 | 1.950 | 1.000 | 350 | 0,40 | 0,70 |
| 35 L | 1.750 | 1.400 | 400 | - | 150 | | 0,40 |
| 40 H | 3.800 | 3.600 | 3.000 | 1.800 | 430 | 0,70 | 1,30 |
| 40 L | 2.500 | 2.100 | 1.000 | - | 190 | | 0,70 |

[Types and changes reserved]

Indication dimensions VN-Roof CV ER



| | $\varnothing A$ | B | C | D | E | F | G | $\varnothing H$ |
|----|-----------------|-----|----|-----|-----|-----|-----|-----------------|
| 25 | 650 | 290 | 38 | 400 | 360 | - | 257 | 178 |
| 31 | 650 | 290 | 38 | 400 | 360 | - | 307 | 220 |
| 35 | 800 | 340 | 38 | 500 | 450 | - | 380 | 270 |
| 40 | 980 | 400 | 38 | 650 | 600 | 530 | 471 | 296 |