


VN-Roof CV



Centrifugal Roof fan vertical outlet with norm motor.

If you are looking for a fan with a specific working point, please don't hesitate to contact us by phone +31 (0)416 391999 or email info@ventinet.nl and we will select the right fan for you.

Sizes	250 up to 800 mm
Motor (standard)	Norm motor IP55, 230/1/50 or 400/3/50
Capacity	up to 20.000 m ³ /h
Pressure	up to 750 Pa
Control	Frequency converter
Casing	Steel with plastic or aluminum cover
Impeller	Steel galvanized
Airflow	Extract fan
Extra	Motors for different voltages, frequencies and with certificates Also available for high temperatures up to 200°C continuously and 400°C for 120 minutes (F400)
Atex	 Gas : zone 1 II2G and 2 II3G Dust : zone 21 II2D and 22 II3D
Accessories	Protection grid / Silencer/ Shutters / Switches/ Terminal box / Roof mounting kit / Frequency converter s

4 pole (1.500 rpm.) – 230/1/50

Model	Capacity max. (m ³ /h)	50 Pa m ³ /h	150 Pa m ³ /h	300 Pa m ³ /h	Pressure max. (Pa stat.)	Motor (kW)	In max. (A)
254 M	980	770	325	-	170	0,09	1,00
314 M	2.000	1.850	1.450	-	290	0,12	1,30
354 M	3.300	3.150	2.700	1.700	360	0,25	2,20
404 M	4.600	4.400	4.000	3.250	500	0,55	4,30
454 M	5.000	4.800	4.350	3.600	520	0,75	5,50

4 pole (1.500 rpm.) – 400/3/50

Model	Capacity max. (m ³ /h)	50 Pa m ³ /h	150 Pa m ³ /h	300 Pa m ³ /h	Pressure max. (Pa stat.)	Motor (kW)	In max. (A)
254 T	980	770	325	-	170	0,09	0,60
314 T	2.000	1.850	1.450	-	290	0,12	0,70
354 T	3.300	3.150	2.700	1.700	360	0,25	0,80
404 T	4.600	4.400	4.000	3.250	500	0,55	1,60
454 T	5.000	4.800	4.350	3.600	520	0,75	2,20
504 T	7.150	6.950	6.400	5.500	600	1,10	2,50

6 pole (1.000 rpm.) – 230/1/50

Model	Capacity max. (m ³ /h)	50 Pa m ³ /h	100 Pa m ³ /h	150 Pa m ³ /h	Pressure max. (Pa stat.)	Motor (kW)	In max. (A)
316 M	1.300	1.100	700	-	135	0,15	1,40
356 M	2.200	1.900	1.550	800	160	0,18	1,80
406 M	3.100	2.750	2.450	2.000	220	0,18	1,80

6 pole (1.000 rpm.) – 400/3/50

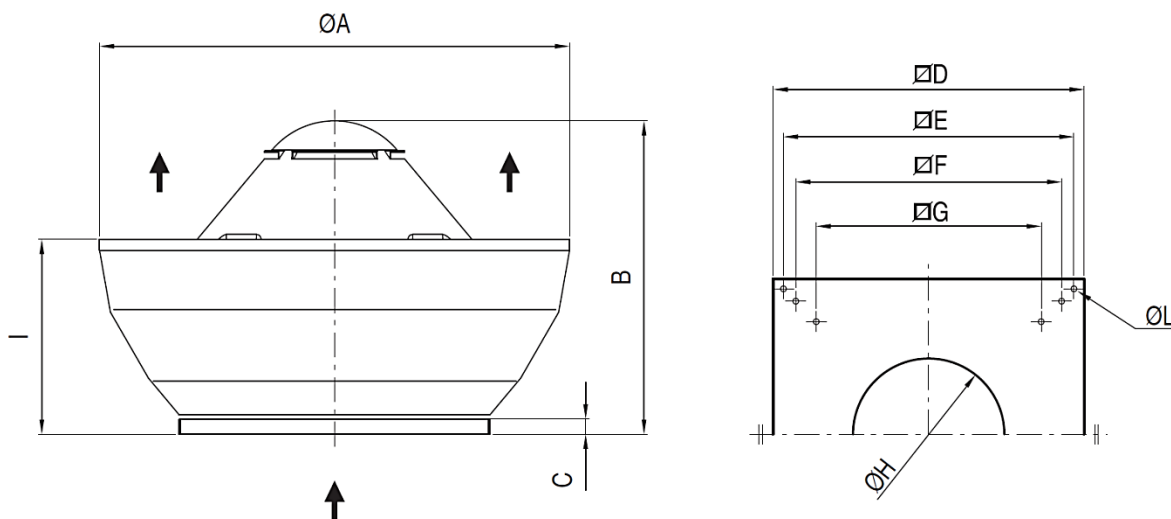
Model	Capacity max. (m ³ /h)	100 Pa m ³ /h	200 Pa m ³ /h	300 Pa m ³ /h	Pressure max. (Pa stat.)	Motor (kW)	In max. (A)
316 T	1.300	700	-	-	135	0,09	0,60
356 T	2.200	1.550	-	-	160	0,18	0,80
406 T	3.100	2.450	1.200	-	220	0,18	0,80
456 T	3.300	2.750	1.800	-	250	0,37	1,20
506 T	4.800	4.000	3.000	-	280	0,37	1,20
566 T	6.250	5.450	4.450	2.900	350	0,55	1,80
636 T	10.000	8.800	7.900	6.850	450	1,10	2,74
756 T	13.000	11.900	10.600	9.300	530	2,20	5,45
806 T	20.000	18.600	17.300	15.500	750	3,00	6,60

8 pole (750 rpm.) – 400/3/50

Model	Capacity max. (m3/h)	50 Pa m3/h	100 Pa m3/h	200 Pa m3/h	Pressure max. (Pa stat.)	Motor (kW)	In max. (A)
408 T	2.300	1,900	1.250	-	120	0,12	0,71
458 T	2.500	2.100	1.500	-	150	0,25	1,20
508 T	3.600	3.100	2.500	-	160	0,25	1,20
568 T	4.600	4.150	3.500	1.000	200	0,25	1,80
638 T	7.400	6.900	6.150	4.600	250	0,55	2,04
758 T	9.800	9.000	8.100	6.300	300	1,10	3,38
808 T	15.000	13.600	13.000	11.200	420	1,50	4,21

[Types and changes reserved]

Indication dimensions VN-Roof CV



	ØA	B	C	D	E	F	G	ØH	I	ØL
25	650	510	38	400	360	-	257	180	290	12
31	650	510	38	400	360	-	307	220	290	12
35	800	580	38	500	450	-	380	270	340	12
40	980	640	38	650	600	530	471	296	400	12
45	980	650	38	650	600	530	471	296	400	12
50	1200	750	38	760	710	650	550	320	490	14
56	1200	750	38	760	710	650	550	370	490	14
63	1400	850	38	930	870	775	665	430	540	14
75	1400	880	38	930	870	775	665	480	540	14
80	1400	880	38	930	870	775	665	530	540	14