

## VN-Roof CV ATEX



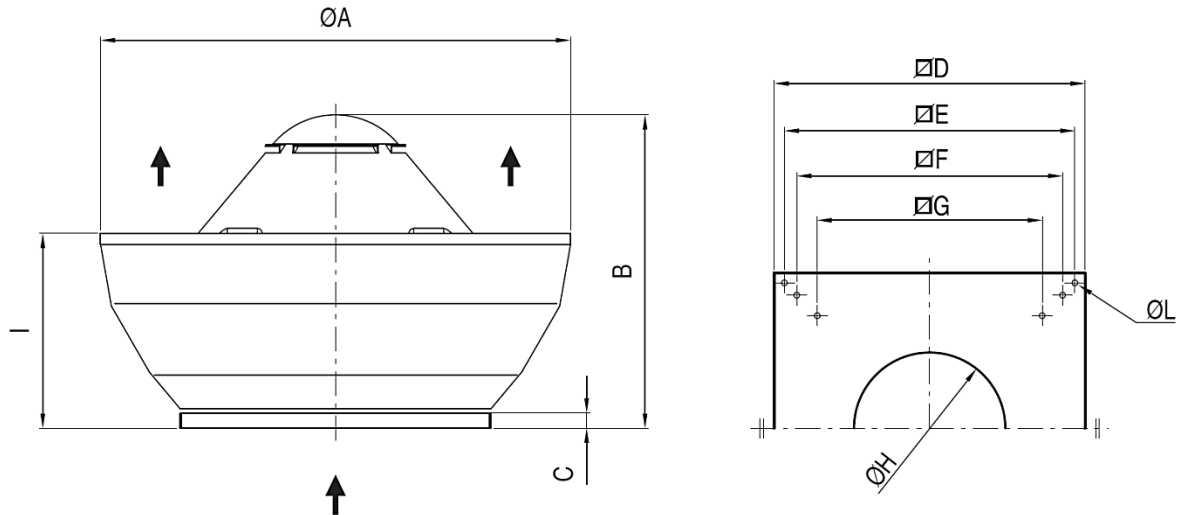
### ATEX centrifugal roof fan vertical outlet

If you are looking for a fan with a specific working point, please don't hesitate to contact us by phone +31 (0)416 391999 or email [info@ventinet.nl](mailto:info@ventinet.nl) and we will select the right fan for you.

Sizes	250 up to 800 mm
Motor	Atex motor IP55, 230/1/50 of 400/50
Capacity	up to 20.000 m <sup>3</sup> /h
Pressure	up to 750 Pa
Control	Frequency converter
Casing	Steel with plastic or aluminum cover
Impeller	Steel galvanized
Airflow	Extract fan
Extra	Motors for different voltages, frequencies and with certificates
Atex	Gas : zone 1 II2G and 2 II3G    Dust : zone 21 II2D and 22 II3D
Accessories	Protection grid / Silencer/ Shutters / Switches/ Terminal box / Roof mounting kit / Frequency converter s

*More information about the capacities and pressures on request*

## Indication dimensions VN-Roof CV ATEX



	$\varnothing A$	B	C	D	E	F	G	$\varnothing H$	I	$\varnothing L$
25	650	510	38	400	360	-	257	180	290	12
31	650	510	38	400	360	-	307	220	290	12
35	800	580	38	500	450	-	380	270	340	12
40	980	640	38	650	600	530	471	296	400	12
45	980	650	38	650	600	530	471	296	400	12
50	1200	750	38	760	710	650	550	320	490	14
56	1200	750	38	760	710	650	550	370	490	14
63	1400	850	38	930	870	775	665	430	540	14
75	1400	880	38	930	870	775	665	480	540	14
80	1400	880	38	930	870	775	665	530	540	14