

## VN-Roof CH ER



### Centrifugal roof fan with external rotor motor

If you are looking for a fan with a specific working point, please don't hesitate to contact us by phone +31 (0)416 391999 or email [info@ventinet.nl](mailto:info@ventinet.nl) and we will select the right fan for you.

Sizes	200 up to 630 mm
Motor (standard)	External rotor motor IP44, 230/1/50 or 400/3/50
Capacity	up to 10.000 m <sup>3</sup> /h
Pressure	up to 600 Pa
Control	Transformer
Casing	Steel met aluminum cover
Impeller	Steel galvanized
Airflow	Extract fan
Extra	Compact and easy to adjust the speed
Accessories	Protection grid / Silencer/ Shutters / Switches/ Terminal box / Roof mounting kit / Speed regulators

**2 pole (3.000 rpm.) – 230/1/50**

Model	Capacity max. (m <sup>3</sup> /h)	100 Pa m <sup>3</sup> /h	250 Pa m <sup>3</sup> /h	400 Pa m <sup>3</sup> /h	Pressure max. (Pa stat.)	Motor (kW)	In max. (A)
202 M	420	350	150	-	250	0,06	0,30
252 M	1.000	800	550	290	430	0,20	0,90
302 M	1.800	1.600	1.400	1.050	700	0,25	1,00

**4 pole (1.500 rpm.) – 230/1/50**

Model	Capacity max. (m <sup>3</sup> /h)	50 Pa m <sup>3</sup> /h	200 Pa m <sup>3</sup> /h	400 Pa m <sup>3</sup> /h	Pressure max. (Pa stat.)	Motor (kW)	In max. (A)
254 M	800	600	-	-	120	0,12	0,80
314 M	1.300	1.000	-	-	160	0,17	0,70
354 M	2.500	2.100	1.500	-	330	0,40	1,80
404 M	3.150	3.000	2.250	250	400	0,27	1,20
454 M	4.410	4.200	3.400	1.500	450	0,64	3,10
504 M	7.650	7.500	7.000	4.400	500	1,30	5,70

**4 pole (1.500 rpm.) – 400/3/50**

Model	Capacity max. (m <sup>3</sup> /h)	100 Pa m <sup>3</sup> /h	300 Pa m <sup>3</sup> /h	450 Pa m <sup>3</sup> /h	Pressure max. (Pa stat.)	Motor (kW)	In max. (A)
314 T	1.700	1.500	-	-	270	0,01	0,30
354 T	2.580	2.100	400	-	300	0,17	0,52
404 T	3.150	2.800	1.650	-	400	0,39	0,70
454 T	4.410	4.000	2.600	500	450	0,47	0,82
504 T	7.650	7.400	6.000	3.300	500	1,15	2,10
564 T	10.200	9.800	7.900	6.200	560	1,80	3,40

**6 pole (1.000 rpm.) – 230/1/50**

Model	Capacity max. (m <sup>3</sup> /h)	100 Pa m <sup>3</sup> /h	200 Pa m <sup>3</sup> /h	400 Pa m <sup>3</sup> /h	Pressure max. (Pa stat.)	Motor (kW)	In max. (A)
566 M	7.500	6.000	4.100	-	290	0,62	2,80
636 M	10.400	9.300	8.000	3.000	420	1,20	5,20

**6 pole (1.00 rpm.) – 400/3/50**

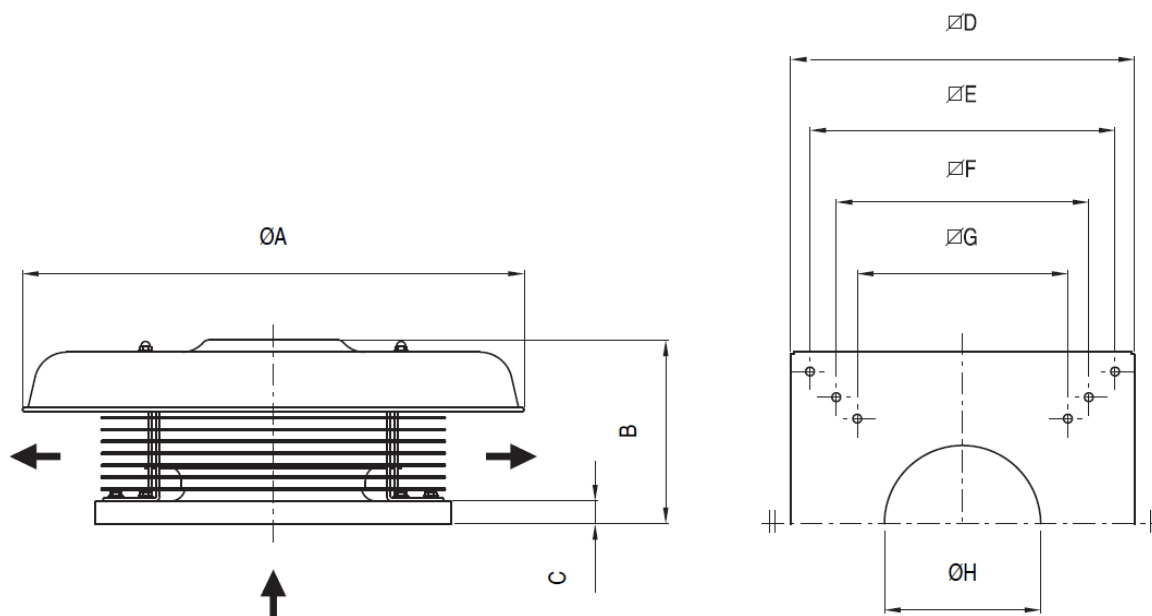
Model	Capacity max. (m <sup>3</sup> /h)	100 Pa m <sup>3</sup> /h	200 Pa m <sup>3</sup> /h	400 Pa m <sup>3</sup> /h	Pressure max. (Pa stat.)	Motor (kW)	In max. (A)
566 T	7.500	6.000	4.100	-	290	0,61	1,05
636 T	10.400	9.300	8.000	3.000	420	1,05	2,20

4/6 pole (1.500 / 1.000 rpm.) – 400/3/50

Model	Capacity max. (m3/h)	50 Pa m3/h	150 Pa m3/h	300 Pa m3/h	Pressure max. (Pa stat.)	Motor (kW)	In max. (A)
31 H	1.500	1.300	900	-	230	0,18	0,35
31 L	1.000	700	-	-	100		
35 H	2.700	2.500	1.950	1.000	350	0,40	0,70
35 L	1.750	1.400	400	-	150		
40 H	3.800	3.600	3.000	1.800	430	0,70	1,30
40 L	2.500	2.100	1.000	-	190		

[Types and changes reserved]

Indication dimensions VN-Roof CH ER



	ØA	B	C	D	E	F	G	ØH
20	395	180	23	300	265	-	220	125
25	490	220	38	400	360	-	257	178
31	555	275	38	400	360	-	307	220
35	690	320	38	500	450	-	380	270
40	810	360	38	650	600	530	471	296
45	800	345	40	650	601	-	-	285
50	800	380	40	650	601	-	-	285
56	800	520	40	760	710	-	-	362
63	1100	570	40	930	870	-	-	412