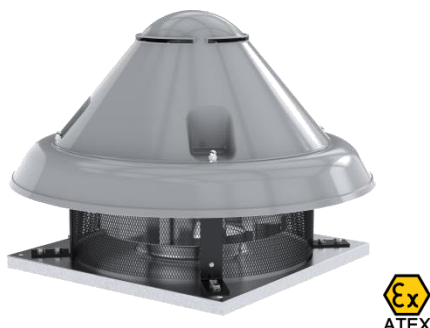


VN-Roof CH ATEX



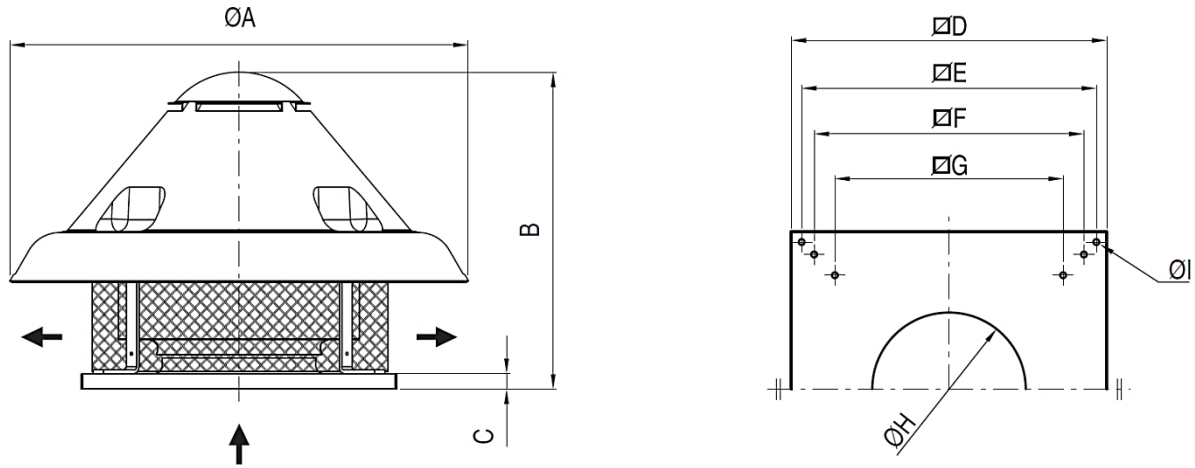
ATEX centrifugal roof fan horizontal outlet

If you are looking for a fan with a specific working point, please don't hesitate to contact us by phone +31 (0)416 391999 or email info@ventinet.nl and we will select the right fan for you.

Sizes	250 up to 800 mm
Motor	Atex motor IP55, 230/1/50 or 400/50
Capacity	up to 20.000 m ³ /h
Pressure	up to 750 Pa
Control	Frequency converter
Casing	Steel with plastic or aluminum cover
Impeller	Steel galvanized
Airflow	Extract fan
Extra	Motors for different voltages, frequencies and with certificates
Atex	Gas : zone 1 II2G and 2 II3G Dust : zone 21 II2D and 22 II3D
Accessories	Protection grid / Silencer/ Shutters / Switches/ Terminal box / Roof mounting kit / Frequency converter s

More information about the capacities and pressures on request

Indication dimensions VN-Roof CH ATEX



	$\varnothing A$	B	C	D	E	F	G	$\varnothing H$	$\varnothing I$
25	600	500	38	400	360	-	257	180	12
31	600	510	38	400	360	-	307	220	12
35	755	580	38	500	450	-	380	270	12
40	910	640	38	650	600	530	471	296	12
45	910	650	38	650	600	530	471	296	12
50	1000	750	38	760	710	650	550	320	14
56	1000	750	38	760	710	650	550	370	14
63	1100	850	38	930	870	775	665	430	14
75	1100	880	38	930	870	775	665	480	14
80	1100	880	38	930	870	775	665	530	14