

## VN-Roof AH HT (F400)



### Axial smoke exhaust roof fan with F400 norm motor

The fans are suitable to extract smoke and hot air and are certificated following EN 12101-3:2015 in class F400.

If you are looking for a fan with a specific working point, please don't hesitate to contact us by phone +31 (0)416 391999 or email [info@ventinet.nl](mailto:info@ventinet.nl) and we will select the right fan for you.

Sizes	450 up to 1.000 mm
Motor (standard)	F400 norm motor IP55, 400/3/50
Capacity	up to 40.000 m <sup>3</sup> /h
Pressure	up to 450 Pa
Control	Frequency converter
Impeller	Aluminum
Airflow	Motor → Impeller (supply) / Impeller → Motor (extract)
Extra	Suitable for temperatures up to 50°C continue and <b>400°C</b> for 120 minutes (F400).
Accessories	Protection grid / Silencer/ Shutters / Switches/ Terminal box / Roof mounting kit / Frequency converter s

## 4 pole (1.500 rpm.) – 400/3/50

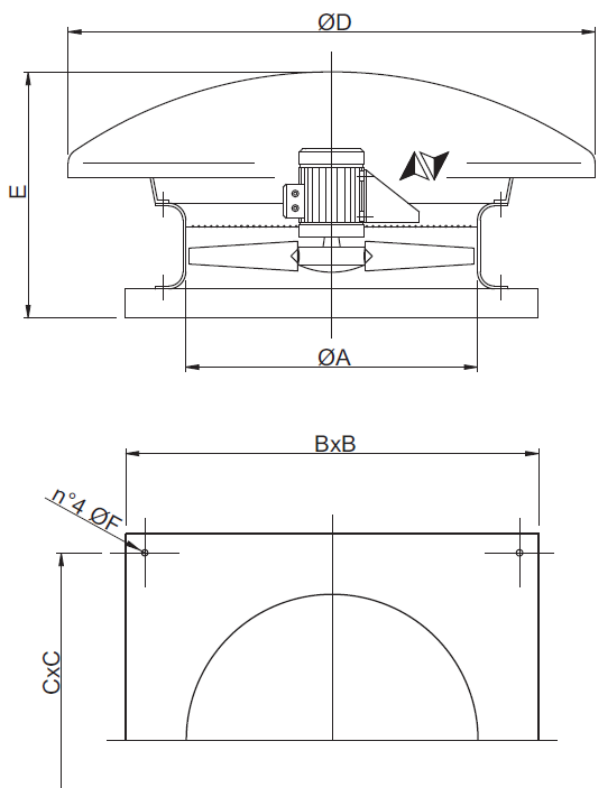
Model	Capacity max. (m <sup>3</sup> /h)	50 Pa m <sup>3</sup> /h	100 Pa m <sup>3</sup> /h	200 Pa m <sup>3</sup> /h	Pressure max. (Pa stat.)	Motor (kW)	In max. (A)
454 T	6.300	5.500	-	-	90	0,55	1,7
504 T	8.000	7.200	5.500	-	130	0,55	1,7
564/A T	9.500	8.300	7.000	-	180	0,75	2,2
564/B T	10.500	9.300	7.500	-	100	1,1	2,7
634/A T	13.000	11.500	9.800	5.600	210	1,1	2,7
634/B T	14.000	12.800	10.900	-	140	1,5	3,8
714/A T	15.300	14.000	12.200	7.800	220	1,5	3,8
714/B T	16.000	15.000	13.200	9.000	250	2,2	5,3
804/A T	23.000	21.500	20.000	17.000	450	3	6,6
804/B T	26.000	24.500	23.100	19.500	350	4	8,4
804/C T	28.000	27.200	26.000	22.600	440	5,5	13
904/A T	32.500	30.800	29.100	25.000	410	5,5	13
904/B T	36.000	34.100	32.500	28.500	460	7,5	16
1004/A T	37.500	36.000	34.100	31.300	400	7,5	16
1004/B T	40.000	38.100	36.200	31.800	250	9,2	19

## 6 pole (1.000 rpm.) – 400/3/50

Model	Capacity max. (m <sup>3</sup> /h)	40 Pa m <sup>3</sup> /h	80 Pa m <sup>3</sup> /h	120 Pa m <sup>3</sup> /h	Pressure max. (Pa stat.)	Motor (kW)	In max. (A)
716 T	12.000	10.500	7.500	5.000	170	0,75	2,6
806 T	19.000	17.000	15.000	11.750	200	1,5	4,4
906 T	23.000	21.000	19.000	16.500	200	2,2	5,9
1006 T	26.000	24.000	22.000	19.000	210	3	8,4

[Types and changes reserved]

## Indication dimensions VN-Roof AH HT



Model	$\varnothing A$	$B \times B$	$C \times C$	$\varnothing D$	$E$	$\varnothing F$
45	460	650	600	1000	450	10
50	510	760	710	1000	450	10
56	570	760	710	1000	450	10
63	640	930	870	1200	500	10
71	710	930	870	1200	500	10
80	815	1150	1050	1600	650	12
90	915	1300	1200	1600	650	12
100	1015	1300	1200	1600	700	12