


## VN-Roof AV



**Axial roof fan vertical outlet**  
with norm motor.

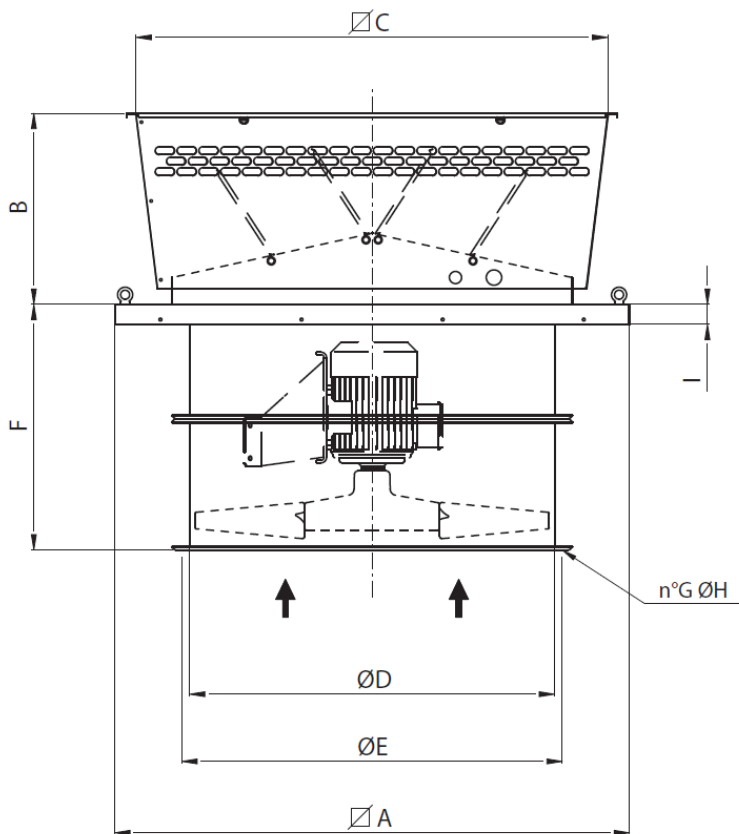
The information below covers the standard range. The possibilities are extensive and besides the diameter of the impeller and speed, also the fan can be configured by different types of impellers, the angle of the impeller and the motor power.

If you are looking for a fan with a specific working point, please don't hesitate to contact us by phone +31 (0)416 391999 or email info@ventinet.nl and we will select the right fan for you.

Sizes	800 up to 1.400 mm
Motor (standard)	Norm motor IP55, 230/1/50 or 400/3/50
Control	Frequency converter
Casing	Steel / Aluminum / Stainless steel
Impeller	Plastic / Aluminum
Airflow	Impeller → Motor (extract)
Extra	Roof cover with valve Motors for different voltages, frequencies and with certificates
Atex	 Gas : zone 1 II2G and 2 II3G    Dust on request: zone 21 II2D and 22 II3D
Accessories	Protection grid / Silencer/ Shutters / Switches/ Terminal box / Roof mounting kit / Frequency converter s

*More information about the capacities and pressures on request*

## Indication dimensions VN-Roof AV



Model	A	B	C	D	E	F	G	H	I
800	1280	750	1250	800	860	590	16	12	50
900	1280	750	1250	900	970	690	16	16	50
1000	1580	600	1500	1000	1070	760	16	16	60
1120	1580	600	1500	1120	1190	760	20	16	60
1250	1840	685	1800	1250	1320	760	20	16	85
1400	1840	685	1800	1400	1470	960	20	16	85

[Types and changes reserved]