


VN-Roof AH



Axial roof fan horizontal outlet with norm motor

The information below covers the standard range. The possibilities are extensive and besides the diameter of the impeller and speed, also the fan can be configured by different types of impellers, the angle of the impeller and the motor power.

If you are looking for a fan with a specific working point, please don't hesitate to contact us by phone +31 (0)416 391999 or email info@ventinet.nl and we will select the right fan for you.

Sizes	400 up to 1.000 mm
Motor (standard)	Norm motor IP55, 230/1/50 or 400/3/50
Capacity	up to 60.000 m ³ /h
Pressure	up to 750 Pa
Control	Frequency converter
Casing	Steel / Aluminum / Stainless steel
Impeller	Plastic / Aluminum
Airflow	Motor → Impeller (supply) / Impeller → Motor (extract)
Extra	Airflow 100 % reversible possible Motors for different voltages, frequencies and with certificates
Atex	 Gas : zone 1 II2G and 2 II3G Dust on request: zone 21 II2D and 22 II3D
Accessories	Protection grid / Silencer/ Shutters / Switches/ Terminal box / Roof mounting kit / Frequency converter s

4 pole (1.500 rpm.) – 230/1/50

Model	Capacity max. (m ³ /h)	20 Pa m ³ /h	50 Pa m ³ /h	100 Pa m ³ /h	Pressure max. (Pa stat.)	Motor (kW)	In max. (A)
454 M	6.000	5.900	5.250	-	82	0,25	1,80
504 M	7.000	6.900	6.500	5.250	140	0,37	3,30
564 M	10.500	10.200	9.200	8.000	140	0,75	5,80

4 pole (1.500 rpm.) – 400/3/50

Model	Capacity max. (m ³ /h)	20 Pa m ³ /h	50 Pa m ³ /h	100 Pa m ³ /h	Pressure max. (Pa stat.)	Motor (kW)	In max. (A)
454 T	6.000	5.900	5.250	-	82	0,25	0,80
504 T	7.500	7.400	7.000	5.600	142	0,55	1,60
564 T	10.500	10.200	9.200	8.000	140	0,75	2,00
634 T	14.000	13.300	12.300	8.900	120	1,1	2,80

6 pole (1.000 rpm.) – 400/3/50

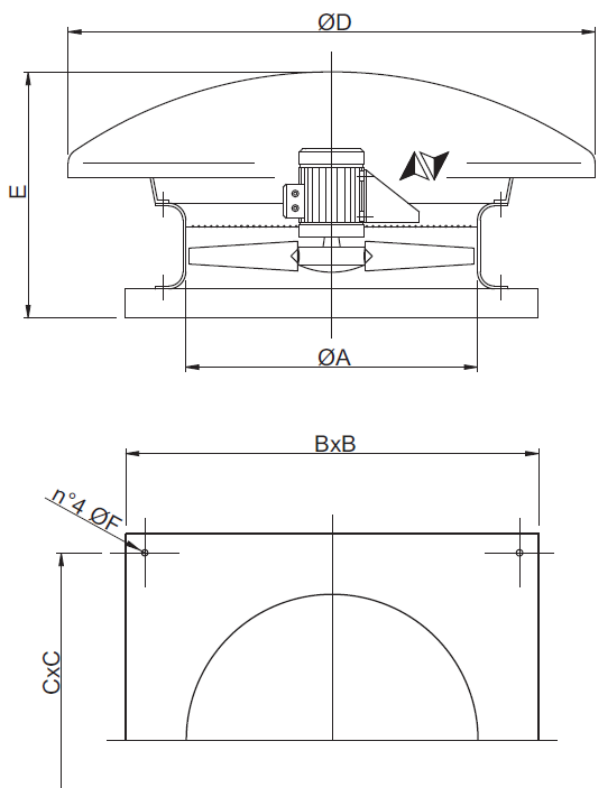
Model	Capacity max. (m ³ /h)	20 Pa m ³ /h	50 Pa m ³ /h	100 Pa m ³ /h	Pressure max. (Pa stat.)	Motor (kW)	In max. (A)
566 T	6.900	6.300	5.000	-	50	0,25	1,00
636 T	11.000	9.700	7.800	-	55	0,37	1,30
716 T	15.000	14.000	11.600	-	80	0,75	2,20
806 T	20.000	19.100	17.800	15.200	142	1,50	4,00
906 T	25.000	24.200	22.900	18.500	140	1,50	4,00
1006 T	30.000	29.400	27.800	23.300	140	2,20	5,00

8 pole (750 rpm.) – 400/3/50

Model	Capacity max. (m ³ /h)	20 Pa m ³ /h	40 Pa m ³ /h	60 Pa m ³ /h	Pressure max. (Pa stat.)	Motor (kW)	In max. (A)
808 T	16.500	14.800	12.400	8.500	60	0,75	2,30
908 T	18.800	17.300	15.500	12.000	60	0,75	2,30
1008 T	22.500	20.700	19.000	14.500	70	1,1	3,40

[Types and changes reserved]

Indication dimensions VN-Roof AH



Model	$\varnothing A$	$B \times B$	$C \times C$	$\varnothing D$	E	$\varnothing F$
45	460	650	600	1000	450	10
50	510	760	710	1000	450	10
56	570	760	710	1000	450	10
63	640	930	870	1200	500	10
71	710	930	870	1200	500	10
80	815	1150	1050	1600	650	12
90	915	1300	1200	1600	650	12
100	1015	1300	1200	1600	700	12