

## VN-TZM



Centrifugaal ventilator met open schoepen voor transport doeleinden.

De mogelijkheden zijn zeer uitgebreid en naast het onderstaand type zijn er nog meer mogelijkheden om het gewenste werkpunt te bereiken.

Zoekt u een ventilator voor een specifiek werkpunt, neem dan gerust contact met ons op via 0416 391999 of info@ventinet.nl en we zullen een passende uitvoering voor u selecteren.

|                   |  |
|-------------------|--|
| Afmetingen        | 280 t/m 1.000 mm   |
| Motor (standaard) | Norm motor IP55, 230/1/50 of 400/50  |
| Capaciteit        | t/m 47.000 m <sup>3</sup> /h   |
| Druk              | t/m 4.300 Pa   |
| Regeling          | Frequentie regeling  |
| Behuizing         | Staal met epoxy coating / RVS 304, 316   |
| Waaier            | Staal / RVS 304, 316   |
| Uitvoeringen      | Staand (motorstoel), liggend (verzwaarde motorplaat) of indirect aangedreven 16 uitblaasposities.  |
| Extra             | Motoren voor alle spanningen, frequenties en certificaten mogelijk.<br><b>150°C</b> met koelwaaier en <b>300°C</b> via V-snaar aandrijving.<br>Heavy duty segment → grotere afmetingen, capaciteiten en drukken. |
| Accessoires       | Inspectie luik / Ventilator steun / Beschermeroosters / Flexibele verbindingen / Contraflenzen / Trillingdempers / Condens afvoer / Dempers / Werkschakelaars / Geluiddempende omkasting / Frequentie regelaars  |

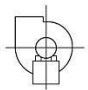

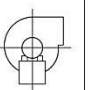
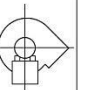
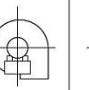
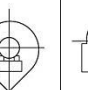
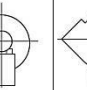

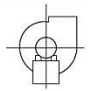

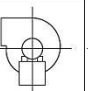
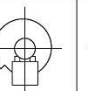
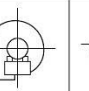
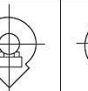
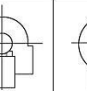
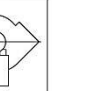
| Qv m <sup>3</sup> /h |            | 650                            | 750 | 800 | 870 | 1000 | 1150 | 1250 | 1400 | 1550 | 1750 | 2000 | 2200 | 2500 | 2750 | 3100 |
|----------------------|------------|--------------------------------|-----|-----|-----|------|------|------|------|------|------|------|------|------|------|------|
| Model VN-TZM         | Motor (kW) | Pt mm H <sub>2</sub> O = da Pa |     |     |     |      |      |      |      |      |      |      |      |      |      |      |
| 282 T                | 1.1        |                                |     | 140 | 135 | 130  | 127  | 123  | 118  | 115  | 113  | 97   | 95   | 84   |      |      |
| 282 T                | 1.5        |                                |     |     |     |      | 170  | 165  | 160  | 155  | 148  | 144  | 138  | 120  |      |      |
| 312 T                | 1.5        |                                |     |     |     |      | 175  | 170  | 166  | 160  | 155  | 149  | 140  | 133  | 125  |      |
| 312 T                | 2.2        |                                |     |     |     |      |      |      |      | 190  | 186  | 179  | 177  | 170  | 160  | 153  |
| 352 T                | 3          |                                |     |     |     |      |      |      |      |      | 200  | 198  | 195  | 189  | 185  | 178  |
| 352 T                | 4          |                                |     |     |     |      |      |      |      |      | 225  | 215  | 212  | 210  | 208  | 204  |
| 402 T                | 5.5        |                                |     |     |     |      |      |      |      |      |      |      | 260  | 248  | 250  | 248  |
| 402 T                | 7.5        |                                |     |     |     |      |      |      |      |      |      |      |      | 300  | 297  | 295  |
| 452 T                | 9.2        |                                |     |     |     |      |      |      |      |      |      |      |      |      |      |      |
| 452 T                | 11         |                                |     |     |     |      |      |      |      |      |      |      |      |      |      |      |
| 502 T                | 15         |                                |     |     |     |      |      |      |      |      |      |      |      |      |      |      |
| 502 T                | 22         |                                |     |     |     |      |      |      |      |      |      |      |      |      |      |      |
| 454 T                | 1.5        |                                |     |     |     |      |      |      |      | 75   | 75   | 74   | 73   | 72   | 71   | 68   |
| 504 T                | 22         |                                |     |     |     |      |      |      |      |      |      |      | 84   | 83   | 82   | 80   |
| 504 T                | 3          |                                |     |     |     |      |      |      |      |      |      |      | 95   | 94   | 93   | 92   |
| 564 T                | 4          |                                |     |     |     |      |      |      |      |      |      |      |      |      |      | 104  |
| 564 T                | 5.5        |                                |     |     |     |      |      |      |      |      |      |      |      |      |      | 118  |
| 634 T                | 7.5        |                                |     |     |     |      |      |      |      |      |      |      |      |      |      |      |
| 634 T                | 11         |                                |     |     |     |      |      |      |      |      |      |      |      |      |      |      |
| 714 T                | 11         |                                |     |     |     |      |      |      |      |      |      |      |      |      |      |      |
| 714 T                | 15         |                                |     |     |     |      |      |      |      |      |      |      |      |      |      |      |
| 804 T                | 18.5       |                                |     |     |     |      |      |      |      |      |      |      |      |      |      |      |
| 804 T                | 30         |                                |     |     |     |      |      |      |      |      |      |      |      |      |      |      |
| 904 T                | 37         |                                |     |     |     |      |      |      |      |      |      |      |      |      |      |      |
| 904 T                | 45         |                                |     |     |     |      |      |      |      |      |      |      |      |      |      |      |
| 1004 T               | 55         |                                |     |     |     |      |      |      |      |      |      |      |      |      |      |      |
| 1004 T               | 75         |                                |     |     |     |      |      |      |      |      |      |      |      |      |      |      |

| Qv m <sup>3</sup> /h |            | 3500                           | 4000 | 4300 | 4700 | 5400 | 6200 | 6850 | 7200 | 8300 | 9400 | 10800 | 12000 | 13500 | 15000 | 17000 |
|----------------------|------------|--------------------------------|------|------|------|------|------|------|------|------|------|-------|-------|-------|-------|-------|
| Model VN-TZM         | Motor (kW) | Pt mm H <sub>2</sub> O = da Pa |      |      |      |      |      |      |      |      |      |       |       |       |       |       |
| 282 T                | 1.1        |                                |      |      |      |      |      |      |      |      |      |       |       |       |       |       |
| 282 T                | 1.5        |                                |      |      |      |      |      |      |      |      |      |       |       |       |       |       |
| 312 T                | 1.5        |                                |      |      |      |      |      |      |      |      |      |       |       |       |       |       |
| 312 T                | 2.2        | 135                            |      |      |      |      |      |      |      |      |      |       |       |       |       |       |
| 352 T                | 3          | 168                            | 164  | 150  |      |      |      |      |      |      |      |       |       |       |       |       |
| 352 T                | 4          | 198                            | 197  | 190  | 180  |      |      |      |      |      |      |       |       |       |       |       |
| 402 T                | 5.5        | 242                            | 238  | 230  | 225  | 200  |      |      |      |      |      |       |       |       |       |       |
| 402 T                | 7.5        | 290                            | 288  | 285  | 280  | 270  | 260  |      |      |      |      |       |       |       |       |       |
| 452 T                | 9.2        | 334                            | 330  | 328  | 325  | 317  | 315  | 310  |      |      |      |       |       |       |       |       |
| 452 T                | 11         | 375                            | 370  | 365  | 360  | 358  | 355  | 340  | 335  |      |      |       |       |       |       |       |
| 502 T                | 15         |                                |      | 370  | 365  | 360  | 358  | 353  | 344  | 337  |      |       |       |       |       |       |
| 502 T                | 22         |                                |      | 378  | 376  | 372  | 367  | 363  | 360  | 350  | 335  | 315   | 285   |       |       |       |
| 454 T                | 1.5        | 65                             | 61   | 55   |      |      |      |      |      |      |      |       |       |       |       |       |
| 504 T                | 22         | 78                             | 74   | 69   |      |      |      |      |      |      |      |       |       |       |       |       |
| 504 T                | 3          | 91                             | 90   | 88   | 80   | 73   | 70   |      |      |      |      |       |       |       |       |       |
| 564 T                | 4          | 103                            | 102  | 101  | 100  | 92   | 88   |      |      |      |      |       |       |       |       |       |
| 564 T                | 5.5        | 117                            | 116  | 114  | 111  | 110  | 104  | 98   | 93   | 82   |      |       |       |       |       |       |
| 634 T                | 7.5        |                                |      | 131  | 129  | 127  | 125  | 121  | 116  | 109  |      |       |       |       |       |       |
| 634 T                | 11         |                                |      | 153  | 121  | 149  | 147  | 144  | 139  | 129  | 125  | 120   | 110   |       |       |       |
| 714 T                | 11         |                                |      |      |      |      | 168  | 166  | 164  | 161  | 158  | 153   | 148   |       |       |       |
| 714 T                | 15         |                                |      |      |      |      | 192  | 190  | 188  | 185  | 181  | 178   | 168   | 158   | 148   | 138   |
| 804 T                | 18.5       |                                |      |      |      |      |      |      |      | 210  | 208  | 206   | 204   | 198   | 194   | 188   |
| 804 T                | 30         |                                |      |      |      |      |      |      |      | 250  | 248  | 246   | 244   | 238   | 231   | 227   |
| 904 T                | 37         |                                |      |      |      |      |      |      |      |      |      |       | 307   | 302   | 297   | 292   |
| 904 T                | 45         |                                |      |      |      |      |      |      |      |      |      |       | 355   | 350   | 345   | 340   |
| 1004 T               | 55         |                                |      |      |      |      |      |      |      |      |      |       |       |       |       | 358   |
| 1004 T               | 75         |                                |      |      |      |      |      |      |      |      |      |       |       |       |       | 428   |

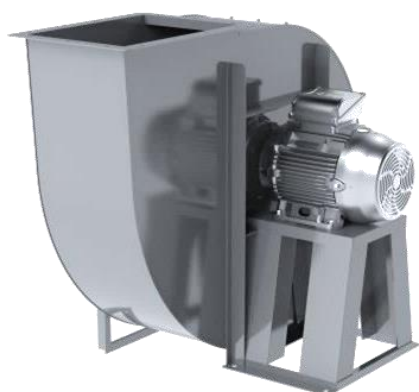
| Qv m <sup>3</sup> /h |            | 19000                          | 21600 | 23800 | 27000 | 30000 | 34000 | 38000 | 42000 | 47000 |  |  |  |  |  |  |
|----------------------|------------|--------------------------------|-------|-------|-------|-------|-------|-------|-------|-------|--|--|--|--|--|--|
| Model VN-TZM         | Motor (kW) | Pt mm H <sub>2</sub> O = da Pa |       |       |       |       |       |       |       |       |  |  |  |  |  |  |
| 282 T                | 1.1        |                                |       |       |       |       |       |       |       |       |  |  |  |  |  |  |
| 282 T                | 1.5        |                                |       |       |       |       |       |       |       |       |  |  |  |  |  |  |
| 312 T                | 1.5        |                                |       |       |       |       |       |       |       |       |  |  |  |  |  |  |
| 312 T                | 2.2        |                                |       |       |       |       |       |       |       |       |  |  |  |  |  |  |
| 352 T                | 3          |                                |       |       |       |       |       |       |       |       |  |  |  |  |  |  |
| 352 T                | 4          |                                |       |       |       |       |       |       |       |       |  |  |  |  |  |  |
| 402 T                | 5.5        |                                |       |       |       |       |       |       |       |       |  |  |  |  |  |  |
| 402 T                | 7.5        |                                |       |       |       |       |       |       |       |       |  |  |  |  |  |  |
| 452 T                | 9.2        |                                |       |       |       |       |       |       |       |       |  |  |  |  |  |  |
| 452 T                | 11         |                                |       |       |       |       |       |       |       |       |  |  |  |  |  |  |
| 502 T                | 15         |                                |       |       |       |       |       |       |       |       |  |  |  |  |  |  |
| 502 T                | 22         |                                |       |       |       |       |       |       |       |       |  |  |  |  |  |  |
| 454 T                | 1.5        |                                |       |       |       |       |       |       |       |       |  |  |  |  |  |  |
| 504 T                | 22         |                                |       |       |       |       |       |       |       |       |  |  |  |  |  |  |
| 504 T                | 3          |                                |       |       |       |       |       |       |       |       |  |  |  |  |  |  |
| 564 T                | 4          |                                |       |       |       |       |       |       |       |       |  |  |  |  |  |  |
| 564 T                | 5.5        |                                |       |       |       |       |       |       |       |       |  |  |  |  |  |  |
| 634 T                | 7.5        |                                |       |       |       |       |       |       |       |       |  |  |  |  |  |  |
| 634 T                | 11         |                                |       |       |       |       |       |       |       |       |  |  |  |  |  |  |
| 714 T                | 11         |                                |       |       |       |       |       |       |       |       |  |  |  |  |  |  |
| 714 T                | 15         |                                |       |       |       |       |       |       |       |       |  |  |  |  |  |  |
| 804 T                | 18.5       |                                |       |       |       |       |       |       |       |       |  |  |  |  |  |  |
| 804 T                | 30         | 220                            | 208   | 184   |       |       |       |       |       |       |  |  |  |  |  |  |
| 904 T                | 37         | 287                            | 277   | 267   |       |       |       |       |       |       |  |  |  |  |  |  |
| 904 T                | 45         | 332                            | 326   | 321   | 316   | 306   | 276   |       |       |       |  |  |  |  |  |  |
| 1004 T               | 55         | 353                            | 348   | 343   | 333   | 305   | 298   |       |       |       |  |  |  |  |  |  |
| 1004 T               | 75         | 423                            | 418   | 408   | 398   | 388   | 378   | 368   | 353   | 320   |  |  |  |  |  |  |

[Typefouten en wijzigingen voorbehouden]

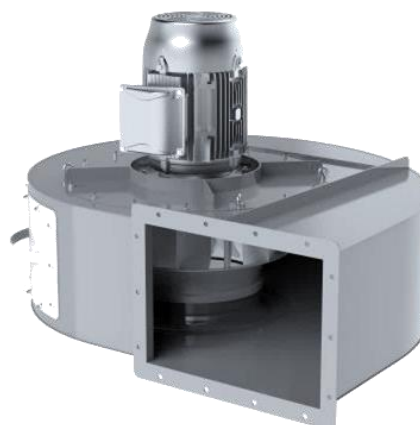
## Uitblaasposities

|           |   |   |   |   |   |   |   |   |
|-----------|---|---|---|---|---|---|---|---|
| <b>RD</b> |  |  |  |  |  |  |  |  |
|           | 0°  | 45°   | 90°   | 135°  | 180°  | 225°  | 270°  | 315°  |
| <b>LG</b> |  |  |  |  |  |  |  |  |

Staande uitvoering



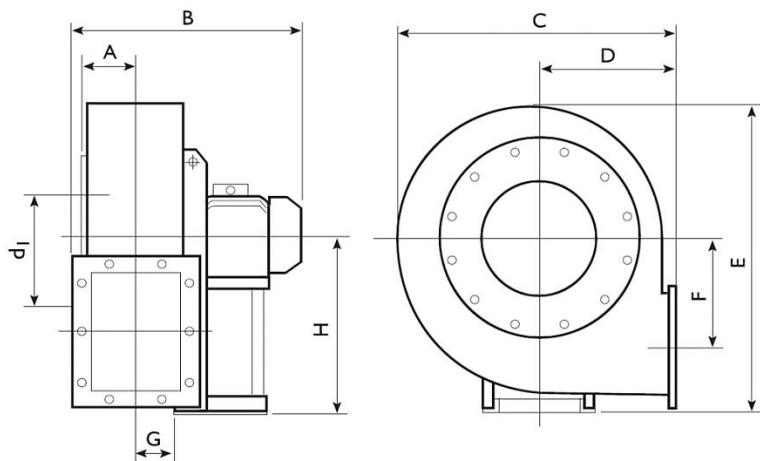
Liggende uitvoering



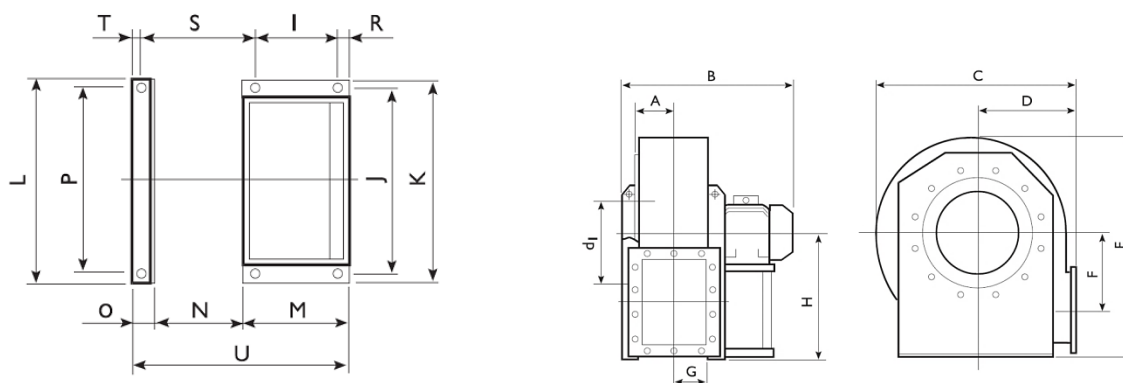
Indirect aangedreven



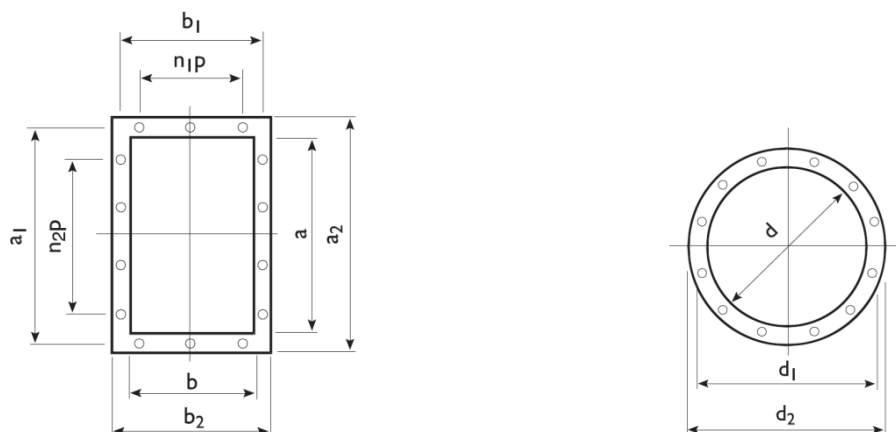
## Maatindicatie VN-TZM



| Model   | Motor (kW) | Ventilator |      |      |     |      |     |     |     |
|---------|------------|------------|------|------|-----|------|-----|-----|-----|
|         |            | A          | B    | C    | D   | E    | F   | G   | H   |
| 250/2R  | 0,55       | 86         | 393  | 441  | 195 | 526  | 175 | 76  | 315 |
| 250/2   | 0,75       |            | 413  |      |     |      |     |     |     |
| 280/2R  | 1,1        | 95         | 432  | 477  | 200 | 610  | 202 | 86  | 375 |
| 280/2   | 1,5        |            | 472  |      |     |      |     |     |     |
| 310/2R  | 1,5        | 105        | 490  | 527  | 225 | 658  | 229 | 96  | 400 |
| 310/2   | 2,2        |            | 490  |      |     |      |     |     |     |
| 350/2R  | 3          | 115        | 585  | 600  | 255 | 740  | 253 | 107 | 450 |
| 350/2   | 4          |            | 585  |      |     |      |     |     |     |
| 400/2R  | 5,5        | 127        | 671  | 655  | 285 | 815  | 286 | 118 | 500 |
| 400/2   | 7,5        |            | 671  |      |     |      |     |     |     |
| 450/2R  | 9,2        | 141        | 698  | 735  | 320 | 915  | 321 | 131 | 560 |
| 450/2   | 11         |            | 834  |      |     |      |     |     |     |
| 450/4   | 15         |            | 566  |      |     |      |     |     |     |
| 500/2R  | 22         |            | 866  |      |     |      |     |     |     |
| 500/2   | 1,5        | 157        | 866  | 832  | 360 | 1000 | 355 | 148 | 600 |
| 500/4R  | 2,2        |            | 668  |      |     |      |     |     |     |
| 500/4   | 3          |            | 668  |      |     |      |     |     |     |
| 560/4R  | 4          |            | 712  |      |     |      |     |     |     |
| 560/4   | 5,5        | 177        | 777  | 940  | 400 | 1126 | 390 | 165 | 670 |
| 630/4R  | 7,5        | 195        | 816  | 1052 | 450 | 1260 | 439 | 185 | 750 |
| 630/4   | 11         |            | 952  |      |     |      |     |     |     |
| 710/4R  | 11         | 216        | 1002 | 1189 | 500 | 1416 | 500 | 202 | 670 |
| 710/4   | 15         |            | 1002 |      |     |      |     |     |     |
| 800/4R  | 18,5       | 241        | 1071 | 1340 | 560 | 1591 | 560 | 226 | 755 |
| 800/4   | 30         |            | 1146 |      |     |      |     |     |     |
| 900/4R  | 37         | 275        | 1277 | 1500 | 630 | 1780 | 630 | 253 | 850 |
| 900/4   | 45         |            | 1277 |      |     |      |     |     |     |
| 1000/4R | 55         | 308        | 1359 | 1685 | 710 | 1993 | 710 | 284 | 950 |
| 1000/4  | 75         |            | 1489 |      |     |      |     |     |     |



| Model   |      | Frame |      |      |      |     |     |     |      |     |     |    |      |    |  |    | ø   |    |     |    |     |    |     |    |
|---------|------|-------|------|------|------|-----|-----|-----|------|-----|-----|----|------|----|--|----|-----|----|-----|----|-----|----|-----|----|
|         |      | I     | J    | K    | L    | M   | N   | O   | P    | Q   | R   | S  | T    | U  |  |    |     |    |     |    |     |    |     |    |
| 250/2R  | 0,55 | 115   | 229  | 251  | -    | 180 |     |     |      | 30  | 30  |    |      |    |  | 12 |     |    |     |    |     |    |     |    |
| 250/2   | 0,75 |       |      |      |      | 180 |     |     |      |     |     |    |      |    |  |    |     |    |     |    |     |    |     |    |
| 280/2R  | 1,1  | 115   | 229  | 251  | -    | 180 |     |     |      |     |     |    |      |    |  |    |     |    |     |    |     |    |     |    |
| 280/2   | 1,5  | 140   | 254  | 276  | -    | 205 |     |     |      |     |     |    |      |    |  |    |     |    |     |    |     |    |     |    |
| 310/2R  | 1,5  | 140   | 254  | 276  | -    | 205 |     |     |      |     |     |    |      |    |  |    |     |    |     |    |     |    |     |    |
| 310/2   | 2,2  |       |      |      |      | 205 |     |     |      |     |     |    |      |    |  |    |     |    |     |    |     |    |     |    |
| 350/2R  | 3    | 190   | 302  | 324  | -    | 250 |     |     |      |     |     |    |      |    |  |    |     |    |     |    |     |    |     |    |
| 350/2   | 4    |       |      |      |      | 250 |     |     |      |     |     |    |      |    |  |    |     |    |     |    |     |    |     |    |
| 400/2R  | 5,5  | 240   | 352  | 374  | -    | 300 |     |     |      |     |     |    |      |    |  |    |     |    |     |    |     |    |     |    |
| 400/2   | 7,5  |       |      |      |      | 300 |     |     |      |     |     |    |      |    |  |    |     |    |     |    |     |    |     |    |
| 450/2R  | 9,2  | 240   | 351  | 374  | -    | 300 |     |     |      |     |     |    |      |    |  |    |     |    |     |    |     |    |     |    |
| 450/2   | 11   | 355   | 402  | 444  | -    | 415 |     |     |      |     |     |    |      |    |  |    |     |    |     |    |     |    |     |    |
| 450/4   | 15   | 140   | 254  | 276  | -    | 205 |     |     |      |     |     |    |      |    |  |    |     |    |     |    |     |    |     |    |
| 500/2R  | 22   | 355   | 402  | 444  | -    | 415 |     |     |      |     |     |    |      |    |  |    |     |    |     |    |     |    |     |    |
| 500/2   | 1,5  | 400   | 448  | 490  | -    | 460 |     |     |      |     |     |    |      |    |  |    |     |    |     |    |     |    |     |    |
| 500/4R  | 2,2  | 190   | 302  | 324  | -    | 250 |     |     |      |     |     |    |      |    |  |    |     |    |     |    |     |    |     |    |
| 500/4   | 3    | 190   | 302  | 324  | -    | 250 |     |     |      |     |     |    |      |    |  |    |     |    |     |    |     |    |     |    |
| 560/4R  | 4    | 190   | 289  | 324  | 692  | 250 |     |     |      |     |     |    |      |    |  |    | 327 | 53 | 632 | 23 | 387 | 23 | 630 |    |
| 560/4   | 5,5  | 240   | 337  | 372  |      | 300 |     |     |      |     |     |    |      |    |  |    |     |    |     |    | 397 |    | 680 |    |
| 630/4R  | 7,5  | 237   | 337  | 372  | 762  | 300 |     |     |      |     |     |    |      |    |  |    | 366 | 53 | 702 | 23 | 436 | 23 | 719 | 12 |
| 630/4   | 11   | 337   | 395  | 440  |      | 415 | 834 | 14  |      |     |     |    |      |    |  |    |     |    |     |    |     |    |     |    |
| 710/4R  | 11   | 316   | 772  | 826  | 915  | 415 | 404 | 60  | 772  | 39  | 497 | 27 | 879  | 20 |  |    |     |    |     |    |     |    |     |    |
| 710/4   | 15   |       |      |      |      | 415 |     |     |      | 879 |     |    |      |    |  |    |     |    |     |    |     |    |     |    |
| 800/4R  | 18,5 | 361   | 862  | 926  | 1045 | 460 | 453 | 80  | 862  | 39  | 546 | 47 | 993  | 20 |  |    |     |    |     |    |     |    |     |    |
| 800/4   | 30   | 401   |      |      |      | 500 |     |     |      |     |     |    | 1033 |    |  |    |     |    |     |    |     |    |     |    |
| 900/4R  | 37   | 441   | 962  | 1026 | 1145 | 540 | 507 | 80  | 962  | 39  | 600 | 47 | 1127 | 20 |  |    |     |    |     |    |     |    |     |    |
| 900/4   | 45   |       |      |      |      | 540 |     |     |      |     |     |    | 1127 |    |  |    |     |    |     |    |     |    |     |    |
| 1000/4R | 55   | 500   | 1056 | 1128 | 1255 | 600 | 569 | 100 | 1056 | 45  | 657 | 67 | 1269 | 20 |  |    |     |    |     |    |     |    |     |    |
| 1000/4  | 75   | 565   |      |      |      | 690 |     |     |      |     |     |    | 1359 |    |  |    |     |    |     |    |     |    |     |    |



| Model   | Motor (kW) | Uitblaasflens |     |     |     |     |     |       |       |        |    | Aanzuigflens |     |     |     |   |    |     |     |       |       |     |     |
|---------|------------|---------------|-----|-----|-----|-----|-----|-------|-------|--------|----|--------------|-----|-----|-----|---|----|-----|-----|-------|-------|-----|-----|
|         |            | a             | b   | a1  | b1  | a2  | b2  | n1xp  | n2xp  | no     | ∅  | d            | d1  | d2  | no  | ∅ |    |     |     |       |       |     |     |
| 250/2R  | 0,55       | 207           | 148 | 241 | 182 | 277 | 218 | 1x112 | 1x112 | 8      | 12 | ∅            | 185 | 218 | 255 | 8 | ∅  |     |     |       |       |     |     |
| 250/2   | 0,75       |               |     |     |     |     |     |       |       |        |    |              | 231 | 166 | 265 |   |    | 200 | 301 | 236   | 10    | 205 | 241 |
| 280/2R  | 1,1        | 258           | 185 | 292 | 219 | 328 | 255 |       |       |        |    |              |     |     |     |   |    |     |     |       |       | 228 | 265 |
| 280/2   | 1,5        |               |     |     |     |     |     |       |       | 288    |    |              |     |     |     |   |    |     |     |       |       | 205 | 331 |
| 310/2R  | 1,5        | 322           | 229 | 366 | 273 | 402 | 309 |       |       |        |    |              |     |     |     |   |    |     |     |       |       |     |     |
| 310/2   | 2,2        |               |     |     |     |     |     |       |       | 361    |    |              | 256 | 405 | 300 |   |    | 441 | 336 | 2x125 | 12    | 320 | 366 |
| 350/2R  | 3          | 404           | 288 | 448 | 332 | 484 | 368 | 2x125 | 14    |        | 12 | ∅            |     |     |     | 8 | ∅  |     |     |       |       |     |     |
| 350/2   | 4          |               |     |     |     |     |     |       |       | 560/4R |    |              | 4   | 453 | 322 |   |    | 497 | 366 | 533   | 402   | 14  | 12  |
| 400/2R  | 5,5        | 507           | 361 | 551 | 405 | 587 | 441 | 2x160 | 3x125 |        | 14 | 12           |     |     |     | ∅ | 10 |     |     |       |       |     |     |
| 400/2   | 7,5        |               |     |     |     |     |     |       |       | 569    |    |              | 404 | 629 | 464 |   |    | 669 | 504 | 2x160 | 3x125 | 14  | 12  |
| 450/2R  | 9,2        | 638           | 453 | 698 | 513 | 738 | 553 | 2x160 | 3x160 |        | 14 | 12           |     |     |     | ∅ | 10 |     |     |       |       |     |     |
| 450/2   | 11         |               |     |     |     |     |     |       |       | 715    |    |              | 507 | 775 | 567 |   |    | 815 | 607 | 2x160 | 3x160 | 14  | 12  |
| 450/4   | 15         | 801           | 569 | 871 | 639 | 921 | 689 | 2x200 | 3x160 |        | 16 | 12           |     |     |     | ∅ | 10 |     |     |       |       |     |     |
| 500/2R  | 22         |               |     |     |     |     |     |       |       | 635    |    |              | 698 | 735 | 665 |   |    | 665 | 665 | 2x200 | 3x200 | 14  | 12  |
| 500/2   | 1,5        | 715           | 507 | 775 | 567 | 815 | 607 | 2x200 | 3x200 |        | 14 | 12           |     |     |     | ∅ | 10 |     |     |       |       |     |     |
| 500/4R  | 2,2        |               |     |     |     |     |     |       |       | 801    |    |              | 569 | 871 | 639 |   |    | 921 | 689 | 2x200 | 3x200 | 14  | 12  |
| 500/4   | 3          | 715           | 507 | 775 | 567 | 815 | 607 | 2x200 | 3x200 |        | 14 | 12           |     |     |     | ∅ | 10 |     |     |       |       |     |     |
| 560/4R  | 4          |               |     |     |     |     |     |       |       | 801    |    |              | 569 | 871 | 639 |   |    | 921 | 689 | 2x200 | 3x200 | 14  | 12  |
| 560/4   | 5,5        | 715           | 507 | 775 | 567 | 815 | 607 | 2x200 | 3x200 |        | 14 | 12           |     |     |     | ∅ | 10 |     |     |       |       |     |     |
| 630/4R  | 7,5        |               |     |     |     |     |     |       |       | 801    |    |              | 569 | 871 | 639 |   |    | 921 | 689 | 2x200 | 3x200 | 14  | 12  |
| 630/4   | 11         | 715           | 507 | 775 | 567 | 815 | 607 | 2x200 | 3x200 |        | 14 | 12           |     |     |     | ∅ | 10 |     |     |       |       |     |     |
| 710/4R  | 11         |               |     |     |     |     |     |       |       | 801    |    |              | 569 | 871 | 639 |   |    | 921 | 689 | 2x200 | 3x200 | 14  | 12  |
| 710/4   | 15         | 715           | 507 | 775 | 567 | 815 | 607 | 2x200 | 3x200 |        | 14 | 12           |     |     |     | ∅ | 10 |     |     |       |       |     |     |
| 800/4R  | 18,5       |               |     |     |     |     |     |       |       | 801    |    |              | 569 | 871 | 639 |   |    | 921 | 689 | 2x200 | 3x200 | 14  | 12  |
| 800/4   | 30         | 715           | 507 | 775 | 567 | 815 | 607 | 2x200 | 3x200 |        | 14 | 12           |     |     |     | ∅ | 10 |     |     |       |       |     |     |
| 900/4R  | 37         |               |     |     |     |     |     |       |       | 801    |    |              | 569 | 871 | 639 |   |    | 921 | 689 | 2x200 | 3x200 | 14  | 12  |
| 900/4   | 45         | 715           | 507 | 775 | 567 | 815 | 607 | 2x200 | 3x200 |        | 14 | 12           |     |     |     | ∅ | 10 |     |     |       |       |     |     |
| 1000/4R | 55         |               |     |     |     |     |     |       |       | 801    |    |              | 569 | 871 | 639 |   |    | 921 | 689 | 2x200 | 3x200 | 14  | 12  |
| 1000/4  | 75         | 715           | 507 | 775 | 567 | 815 | 607 | 2x200 | 3x200 |        | 14 | 12           |     |     |     | ∅ | 10 |     |     |       |       |     |     |