

VN-TZM



Centrifugal fan with open blades
for transport applications.

The information below covers the most common type. The possibilities are extensive and besides the type below, there are more possibilities to achieve the required working point.

If you are looking for a fan with a specific working point, please don't hesitate to contact us by phone +31 (0)416 391999 or email info@ventinet.nl and we will select the right fan for you.

Sizes	280 up to 1.000 mm
Motor (standard)	Norm motor IP55, 230/1/50 or 400/50
Capacity	up to 47.000 m ³ /h
Pressure	up to 4.300 Pa
Control	Frequency converter
Casing	Steel with epoxy coating / galvanized / Stainless steel 304, 316
Impeller	Steel / Stainless steel 304, 316
Executions	Arrangement 4 (motor support), arrangement 5 (stronger motor plate) or belt driven. 16 different outlet angles.
Extra	Motors for different voltages, frequencies and with certificates 150°C with cooling fan and 300°C with belt driven. Heavy duty → for larger capacities and pressures
Accessories	Inspection window / Feet support / Protection grids / Flexible connections / Flanges / Anti-vibration mounts / Drain / Shutters / Switches / Sound insulated cabins / Frequency converters

Qv m ³ /h		650	750	800	870	1000	1150	1250	1400	1550	1750	2000	2200	2500	2750	3100
Model VN-TZM	Motor (kW)	Pt mm H ₂ O = da Pa														
282 T	1.1			140	135	130	127	123	118	115	113	97	95	84		
282 T	1.5						170	165	160	155	148	144	138	120		
312 T	1.5						175	170	166	160	155	149	140	133	125	
312 T	2.2									190	186	179	177	170	160	153
352 T	3										200	198	195	189	185	178
352 T	4										225	215	212	210	208	204
402 T	5.5												260	248	250	248
402 T	7.5													300	297	295
452 T	9.2															
452 T	11															
502 T	15															
502 T	22															
454 T	1.5									75	75	74	73	72	71	68
504 T	22												84	83	82	80
504 T	3												95	94	93	92
564 T	4															104
564 T	5.5															118
634 T	7.5															
634 T	11															
714 T	11															
714 T	15															
804 T	18.5															
804 T	30															
904 T	37															
904 T	45															
1004 T	55															
1004 T	75															

Qv m ³ /h		3500	4000	4300	4700	5400	6200	6850	7200	8300	9400	10800	12000	13500	15000	17000
Model VN-TZM	Motor (kW)	Pt mm H ₂ O = da Pa														
282 T	1.1															
282 T	1.5															
312 T	1.5															
312 T	2.2	135														
352 T	3	168	164	150												
352 T	4	198	197	190	180											
402 T	5.5	242	238	230	225	200										
402 T	7.5	290	288	285	280	270	260									
452 T	9.2	334	330	328	325	317	315	310								
452 T	11	375	370	365	360	358	355	340	335							
502 T	15			370	365	360	358	353	344	337						
502 T	22			378	376	372	367	363	360	350	335	315	285			
454 T	1.5	65	61	55												
504 T	22	78	74	69												
504 T	3	91	90	88	80	73	70									
564 T	4	103	102	101	100	92	88									
564 T	5.5	117	116	114	111	110	104	98	93	82						
634 T	7.5			131	129	127	125	121	116	109						
634 T	11			153	121	149	147	144	139	129	125	120	110			
714 T	11						168	166	164	161	158	153	148			
714 T	15						192	190	188	185	181	178	168	158	148	138
804 T	18.5									210	208	206	204	198	194	188
804 T	30									250	248	246	244	238	231	227
904 T	37												307	302	297	292
904 T	45												355	350	345	340
1004 T	55															358
1004 T	75															428

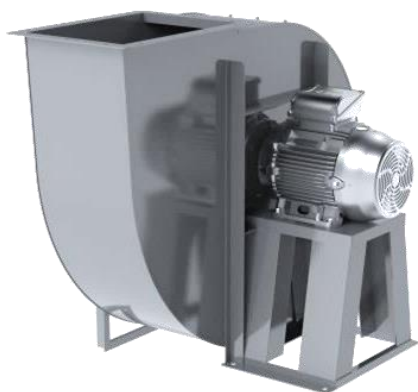
Qv m ³ /h		19000	21600	23800	27000	30000	34000	38000	42000	47000						
Model VN-TZM	Motor (kW)	Pt mm H ₂ O = da Pa														
282 T	1.1															
282 T	1.5															
312 T	1.5															
312 T	2.2															
352 T	3															
352 T	4															
402 T	5.5															
402 T	7.5															
452 T	9.2															
452 T	11															
502 T	15															
502 T	22															
454 T	1.5															
504 T	22															
504 T	3															
564 T	4															
564 T	5.5															
634 T	7.5															
634 T	11															
714 T	11															
714 T	15															
804 T	18.5															
804 T	30	220	208	184												
904 T	37	287	277	267												
904 T	45	332	326	321	316	306	276									
1004 T	55	353	348	343	333	305	298									
1004 T	75	423	418	408	398	388	378	368	353	320						

[Types and changes reserved]

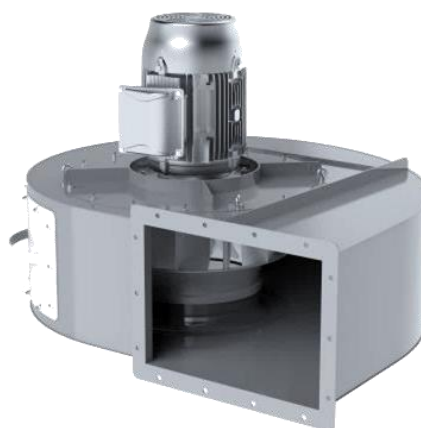
Outlet angles

RD								
	0°	45°	90°	135°	180°	225°	270°	315°
LG								
	0°	45°	90°	135°	180°	225°	270°	315°

Arrangement 4 (B3)



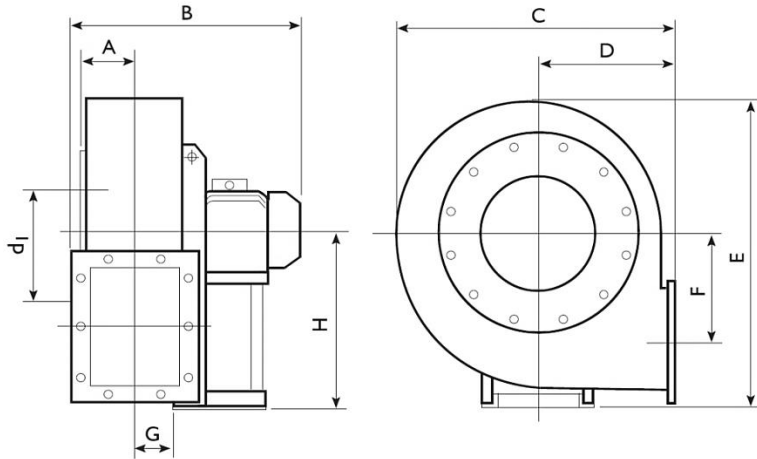
Arrangement 5 (B5)



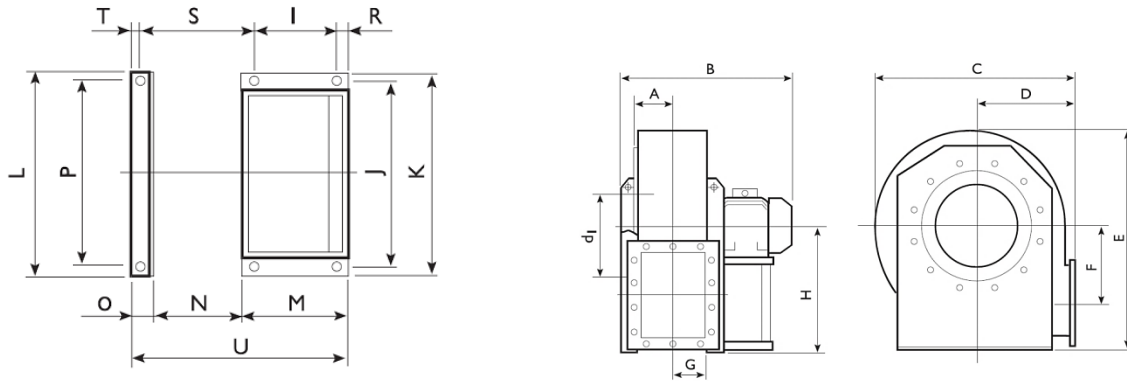
Arrangement 9 or 12 Belt driven



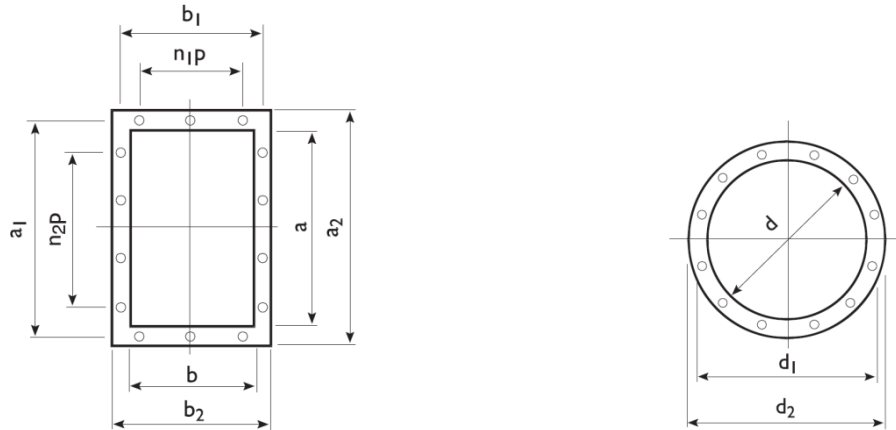
Indication dimensions VN-TZM



Model	Motor	Fan							
	(kW)	A	B	C	D	E	F	G	H
250/2R	0,55	86	393	441	195	526	175	76	315
250/2	0,75		413						
280/2R	1,1	95	432	477	200	610	202	86	375
280/2	1,5		472						
310/2R	1,5	105	490	527	225	658	229	96	400
310/2	2,2		490						
350/2R	3	115	585	600	255	740	253	107	450
350/2	4		585						
400/2R	5,5	127	671	655	285	815	286	118	500
400/2	7,5		671						
450/2R	9,2	141	698	735	320	915	321	131	560
450/2	11		834						
450/4	15		566						
500/2R	22	157	866	832	360	1000	355	148	600
500/2	1,5		866						
500/4R	2,2		668						
500/4	3		668						
560/4R	4	177	712	940	400	1126	390	165	670
560/4	5,5		777						
630/4R	7,5	195	816	1052	450	1260	439	185	750
630/4	11		952						
710/4R	11	216	1002	1189	500	1416	500	202	670
710/4	15		1002						
800/4R	18,5	241	1071	1340	560	1591	560	226	755
800/4	30		1146						
900/4R	37	275	1277	1500	630	1780	630	253	850
900/4	45		1277						
1000/4R	55	308	1359	1685	710	1993	710	284	950
1000/4	75		1489						



Model		Frame															ø
		I	J	K	L	M	N	O	P	Q	R	S	T	U			
250/2R	0,55	115	229	251	-	180	-		30	30	-					12	
250/2	0,75																180
280/2R	1,1	115	229	251	-	180											
280/2	1,5	140	254	276	-	205											
310/2R	1,5	140	254	276	-	205											
310/2	2,2																205
350/2R	3	190	302	324	-	250											
350/2	4																250
400/2R	5,5	240	352	374	-	300											
400/2	7,5																300
450/2R	9,2	240	351	374	-	300											
450/2	11	355	402	444		415											
450/4	15	140	254	276	-	205											
500/2R	22	355	402	444	-	415											
500/2	1,5	400	448	490		460											
500/4R	2,2	190	302	324	-	250											
500/4	3	190	302	324		250											
560/4R	4	190	289	324	692	250	327	53	632	23	387	23	630				
560/4	5,5	240	337	372		300					397		680				
630/4R	7,5	237	337	372	762	300	366	53	702	23	436	23	719				
630/4	11	337	395	440		415				400	834						
710/4R	11	316	772	826	915	415	404	60	772	39	497	27	879				
710/4	15					415							879				
800/4R	18,5	361	862	926	1045	460	453	80	862	39	546	47	993				
800/4	30	401				500							1033				
900/4R	37	441	962	1026	1145	540	507	80	962	39	600	47	1127				
900/4	45					540							1127				
1000/4R	55	500	1056	1128	1255	600	569	100	1056	45	657	67	1269				
1000/4	75	565				690							1359				



Model	Motor (kW)	Outlet flange								Inlet flange						
		a	b	a1	b1	a2	b2	n1xp	n2xp	no	∅	d	d1	d2	no	∅
250/2R	0,55	207	148	241	182	277	218	1x112	1x112	8	12	185	218	255	8	8
250/2	0,75															
280/2R	1,1	231	166	265	200	301	236									
280/2	1,5															
310/2R	1,5	258	185	292	219	328	255									
310/2	2,2															
350/2R	3	288	205	331	249	368	285	1x125	2x125	10	12	255	292	325	8	8
350/2	4															
400/2R	5,5	322	229	366	273	402	309									
400/2	7,5															
450/2R	9,2	361	256	405	300	441	336	2x125	3x125	14	12	320	366	400	8	10
450/2	11															
450/4	15	404	288	448	332	484	368	2x125	3x125	14	12	360	405	440	10	10
500/2R	22															
500/2	1,5															
500/4R	2,2															
500/4	3	453	322	497	366	533	402	2x160	3x160	14	12	405	448	485	12	12
560/4R	4															
560/4	5,5	507	361	551	405	587	441	2x160	3x160	14	12	455	497	535	12	12
630/4R	7,5															
630/4	11	569	404	629	464	669	504	2x160	3x160	14	12	505	551	585	12	12
710/4R	11															
710/4	15	638	453	698	513	738	553	2x200	3x200	14	12	565	629	665	12	12
800/4R	18,5															
800/4	30	715	507	775	567	815	607	2x200	3x200	14	12	635	698	735	16	12
900/4R	37															
900/4	45	801	569	871	639	921	689	2x200	3x200	14	12	715	775	815	16	12
1000/4R	55															
1000/4	75															