

## VN-F



### Compact centrifugal fan with open blades

If you are looking for a fan with a specific working point, please don't hesitate to contact us by phone +31 (0)416 391999 or email [info@ventinet.nl](mailto:info@ventinet.nl) and we will select the right fan for you.

Sizes	300 up to 400 mm
Motor (standard)	Norm motor IP55, 230/1/50 or 400/3/50
Capacity	up to 1.500 m <sup>3</sup> /h
Pressure	up to 2.500 Pa
Control	Frequency converter
Casing	Aluminum coated
Impeller	Aluminum
Extra	Sound insulated by the thick aluminum casing
Accessories	Protection grids / Protection grids / Switches / Sound insulated cabins / Frequency converters

2 pole (3.000 rpm.) – 230/1/50

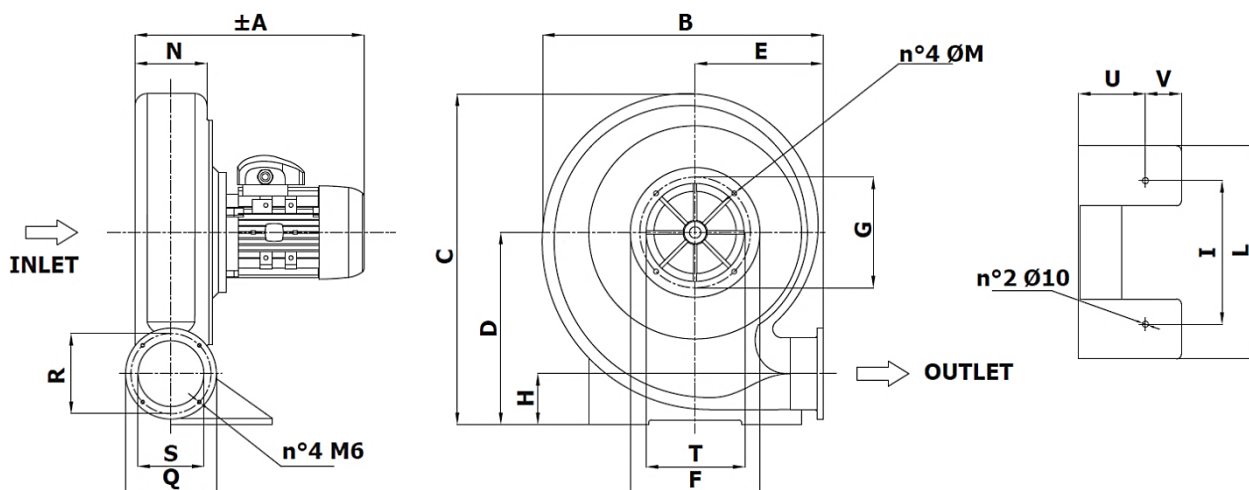
Model	Capacity max. (m3/h)	Pressure min. (Pa)	Pressure max. (Pa stat.)	Motor (kW)	In max. (A)
22 M	400	590	900	0,18	1,28
30 M	570	520	1.200	0,25	2,10
35 M	680	890	1.400	0,37	2,80
40 M	1.230	820	2.150	1,10	7,10

2 pole (3.000 rpm.) – 400/3/50

Model	Capacity max. (m3/h)	Pressure min. (Pa)	Pressure max. (Pa stat.)	Motor (kW)	In max. (A)
22 T	400	590	900	0,18	0,58
30 T	570	520	1.200	0,25	0,90
35 T	680	890	1.400	0,37	1,10
40 T	1.230	820	2.150	1,10	2,30

[Types and changes reserved]

Indication dimensions VN-F



Model	A*	B	C	D	E	F	G	H	I	L	M	N	Q	R	S	T	U	V
22	280	297	340	195	140	133	105	60	155	200	6	95	109	96	68	90	65	37
30	285	346	400	230	152	145	128	64	173	218	6	100	114	96	84	113	70	50
35	300	422	475	272	193	158	140	68	200	238	6	96	130	109	80	126	88	52
40	362	462	553	306	214	202	185	85	240	356	8	123	152	134	110	162	110	60

\*F → Depends on motor type