

VN-DAT



Centrifugal fan with forward curved blades double inlet

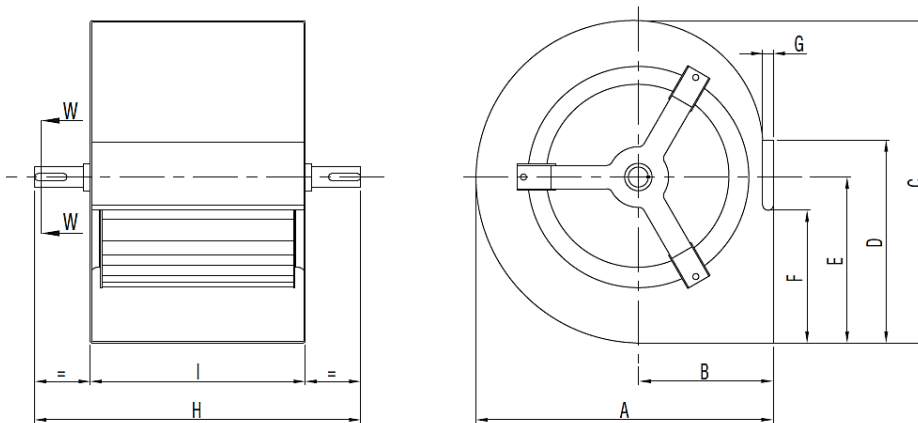
If you are looking for a fan with a specific working point, please don't hesitate to contact us by phone +31 (0)416 391999 or email info@ventinet.nl and we will select the right fan for you.

Sizes	160 up to 1.000 mm
Motor (standard)	n/a (indirect driven)
Capacity	up to 100.000 m ³ /h
Pressure	up to 2.500 Pa
Casing	Galvanized steel
Impeller	Galvanized steel
Extra	In combination with motor, -slide and belt drive possible
Accessories	Outlet flange / Mounting feet / Motor support

Model	RPM max. (-/min)	Pm max. (kW)	PD ² (kgm ²)
7/7	2.400	1	0,008
9/7	2.400	3	0,030
9/9	2.200	3	0,040
10/8	1.800	2,2	0,050
10/10	1.800	2,2	0,070
12/9	1.600	2,2	0,120
12/12	1.400	3	0,140
15/11	1.300	5,5	0,240
15/15	1.200	5,5	0,300
18/13	1.000	7,7	0,580
18/18	1.000	7,5	0,710

[Types and changes reserved]

Indication dimensions VN-DAT



	A	B	C	D	E	F	G	H	I	L	M	N	Ø P
7/7	315	150	325	210	185	145	30	340	230	28	28	19	20
9/7	380	185	390	260	215	180	40	340	230	30	30	19	20
9/9	380	185	390	260	215	180	40	395	300	30	30	19	20
10/8	425	200	440	290	250	215	40	355	265	38	38	19	20
10/10	425	200	440	290	250	215	40	420	330	38	38	19	20
12/9	490	230	520	340	295	240	40	420	310	50	50	21	25
12/12	490	230	520	340	295	240	40	510	395	50	50	21	25
15/11	570	265	610	405	345	270	40	510	375	65	65	21	25
15/15	570	265	610	405	345	270	40	610	470	65	65	21	25
18/13	685	315	740	480	415	290	40	565	430	70	70	21	25
18/18	685	315	740	480	415	290	40	695	560	70	70	21	25