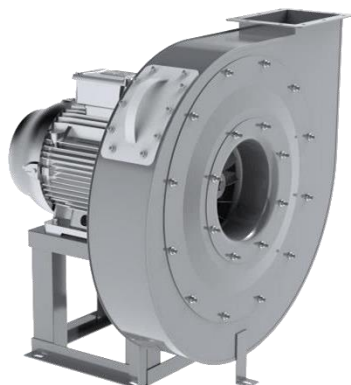



VN-VPMR



Centrifugal fan with backward curved blades
for high pressure and clean to slightly dusty air.

The information below covers the most common type. The possibilities are extensive and besides the type below, there are more possibilities to achieve the required working point.

If you are looking for a fan with a specific working point, please don't hesitate to contact us by phone +31 (0)416 391999 or email info@ventinet.nl and we will select the right fan for you.

Sizes	350 up to 1.250 mm
Motor (standard)	Norm motor IP55, 230/1/50 or 400/50
Capacity	up to 37.000 m ³ /h
Pressure	up to 19.000 Pa
Control	Frequency converter
Casing	Steel with epoxy coating / galvanized / Stainless steel 304, 316
Impeller	Steel / Stainless steel 304, 316
Executions	Arrangement 4 (motor support), arrangement 5 (stronger motor plate) or belt driven. 16 different outlet angles.
Extra	Motors for different voltages, frequencies and with certificates 150°C with cooling fan and 300°C with belt driven. Heavy duty → for larger capacities and pressures
Atex	 Gas : zone 1 II2G and 2 II3G Dust : zone 21 II2D and 22 II3D
Accessories	Inspection window / Feet support / Protection grids / Flexible connections / Flanges / Anti-vibration mounts / Drain / Shutters / Switches / Sound insulated cabins / Frequency converters

Qv m3/h		360	432	504	576	648	720	792	900	1044	1152	1296	1476	1656	1872	2124
Model VN-VPMR	Motor (kW)	Pt mm H ₂ O = da Pa														
352 T	0.75	220	220	215	215	210	205	200	190	180	170	155				
352 T	1.1	250	250	245	245	240	235	230	220	210	195	180	160	135		
402 T	1.5				270	270	265	260	255	250	245	235	220	205	180	
402 T	2.2				310	310	305	305	300	290	285	275	265	250	230	210
452 T	3							345	345	340	335	330	325	320	305	290
452 T	4							395	395	390	385	380	375	360	350	340
502 T	5.5										440	440	435	430	425	420
502 T	7.5										495	495	490	485	480	470
562 T	9.2													550	550	545
562 T	11													610	610	605
632 T	15															
632 T	18.5															
712 T	22															
712 T	30															
802 T	37															
802 T	55															
902 T	75															
902 T	90															
1002 T	110															
1002 T	160															
714 T	4													220	220	215
714 T	5.5													250	250	245
804 T	7.5															
804 T	9.2															
904 T	11															
904 T	15															
1004 T	18.5															
1004 T	22															

Qv m ³ /h		2376	2664	3024	3384	3780	4140	4680	5220	5940	6480	7560	8280	9360	10800	11988
Model VN-VPMR	Motor (kW)	Pt mm H ₂ O = da Pa														
352 T	0.75															
352 T	1.1															
402 T	1.5															
402 T	2.2	165														
452 T	3	275	245													
452 T	4	315	295	265	225											
502 T	5.5	410	390	370	340											
502 T	7.5	460	445	430	400	375	335	280								
562 T	9.2	540	535	525	510	485	470	430								
562 T	11	605	600	585	580	560	535	495	460	410	315					
632 T	15	690	690	685	680	675	660	640	620	600	560					
632 T	18.5	775	775	700	765	755	745	720	700	650	610	580	530	455		
712 T	22				885	885	880	875	865	855	835	805	770			
712 T	30				990	990	985	975	965	950	930	900	860	800	730	660
802 T	37							1080	1075	1070	1065	1055	1040	1010	975	960
802 T	55							1220	1220	1215	1210	1200	1180	1150	1110	1090
902 T	75										1470	1450	1445	1435	1410	1370
902 T	90										1595	1590	1585	1580	1570	1550
1002 T	110													1740	1730	1725
1002 T	160													1965	1960	1950
714 T	4	215	210	205	200	190	180									
714 T	5.5						210	195	180	160						
804 T	7.5						255	250	245	240						
804 T	9.2						285	280	275	270	255	235	215			
904 T	11						355	350	345	340	335	325	315			
904 T	15						390	385	380	375	370	360	350	335	315	285
1004 T	18.5							440	430	425	420	415	405	395	390	390
1004 T	22							495	490	485	480	470	460	450	440	440

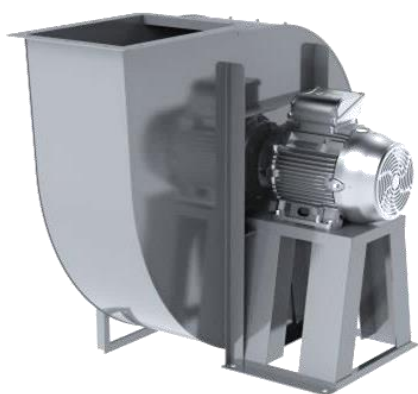
Qv m3/h		13320	15120	16920	18720	21240	23760	26640	30240	33840						
Model VN-VPMR	Motor (kW)	Pt mm H ₂ O = da Pa														
352 T	0.75															
352 T	1.1															
402 T	1.5															
402 T	2.2															
452 T	3															
452 T	4															
502 T	5.5															
502 T	7.5															
562 T	9.2															
562 T	11															
632 T	15															
632 T	18.5															
712 T	22															
712 T	30															
802 T	37															
802 T	55	1010	935	850	720											
902 T	75	1330	1270	1210	1130											
902 T	90	1520	1480	1420	1330	1260										
1002 T	110	1710	1690	1660	1610	1590										
1002 T	160	1935	1915	1880	1840	1800	1710	1610	1460	1345						
714 T	4															
714 T	5.5															
804 T	7.5															
804 T	9.2															
904 T	11															
904 T	15															
1004 T	18.5															
1004 T	22	410	380	340												

[Types and changes reserved]

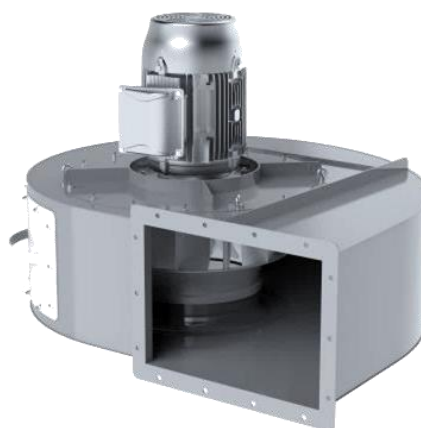
Outlet angles

RD								
	0°	45°	90°	135°	180°	225°	270°	315°
LG								
	0°	45°	90°	135°	180°	225°	270°	315°

Arrangement 4 (B3)



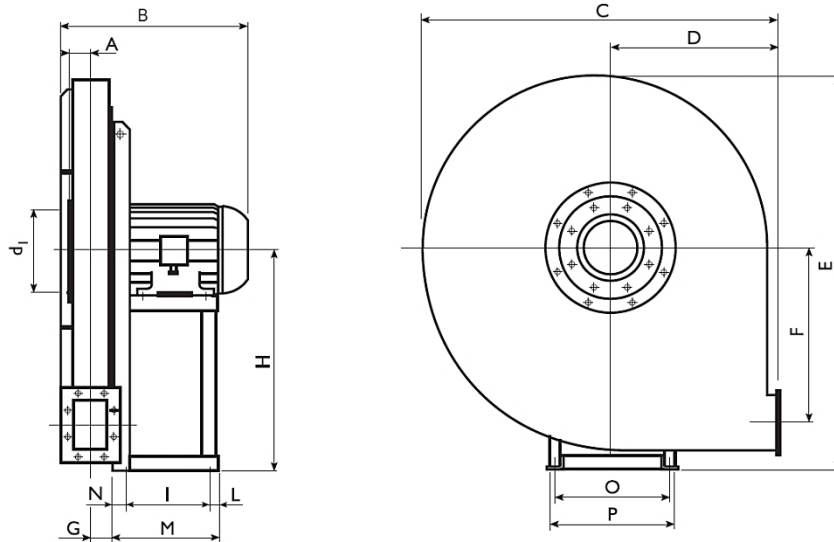
Arrangement 5 (B5)



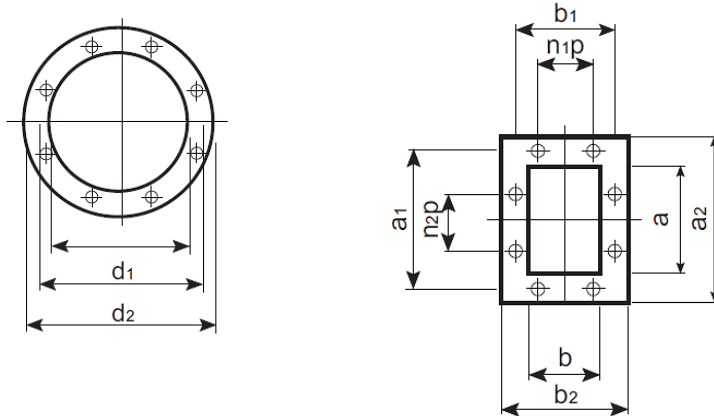
Arrangement 9 or 12 Belt driven



Indication dimensions VN-VPMR



Model	Mot (H)	Pm (kW)	Fan										Frame						
			A	B	C	D	E	F	G	H			I	L	M	N	O	P	ϕ
								0°	180°	270°									
								135°	225°	315°									
352/A T	80	0,75	71	370	535	250	615	205	63	355	250	355	115	30	180	30	229	251	10
352/B T	80	1,1		370											180				
402/A T	90	1,5	78	425	590	280	658	228	70	375	280	375	140	30	205	30	254	276	10
402/B T	90	2,2		425											205				
452/A T	100	3	86	510	645	300	715	254	78	400	300	400	190	30	250	30	302	324	12
452/B T	112	4		510											250				
502/A T	112	4	95	585	715	335	795	285	89	450	335	450	240	30	250	30	352	374	12
502/B T	132	5,5		585											300				
562/A T	132	7,5	105	605	805	375	890	323	99	500	375	500	240	30	300	30	352	374	12
562/B T	160	11		740											415				
632/A T	160	15	105	760	910	425	1000	381	99	560	425	560	355	30	415	30	402	444	14
632/B T	160	18,5		760											415				
712/A T	180	22	115	785	1015	475	1122	426	108	630	475	630	400	30	460	30	448	490	17
712/B T	200	30		860											500				
714/A T	112	4	115	585	1015	475	1122	426	108	630	475	630	190	30	250	30	302	324	12
714/B T	132	5,5		650											300				
802/A T	200	37	127	885	1140	530	1265	481	122	710	530	710	440	30	500	30	506	568	12
802/B T	250	55		960											600				
804/A T	132	7,5	127	675	1140	530	1265	481	122	710	530	710	240	30	300	30	352	374	12
804/B T	132	9,2		675											300				
902/A T	280	75	140	1115	1285	600	1428	542	136	800	600	800	630	30	690	30	690	750	21
902/B T	280	90		1115											690				
904/A T	160	11	140	835	1285	600	1428	542	136	800	600	800	355	30	415	30	402	444	14
904/B T	160	15		835											415				
1002A T	315	110	160	1150	1430	670	1590	607	152	900	670	900	740	30	800	30	760	865	24
1002B T	315	160		1290											800				
1004A T	180	18,5	160	870	1430	670	1590	607	152	900	670	900	400	30	460	30	448	490	17
1004B T	180	22		945											460				



Model	Inlet flange					Outlet flange									
	d	d ₁	d ₂	n°	∅	a	b	a ₁	b ₁	a ₂	b ₂	n ₁ xp	n ₂ xp	n°	∅
350	185	219	250	8	8	166	117	200	151	236	187	-	1x112	6	12
400	205	241	275	8	8	185	131	219	165	255	201	-	1x112	6	12
450	228	265	298	8	8	207	148	241	182	277	218	1X112	1x112	6	12
500	255	292	325	8	10	231	166	265	200	301	236	1X112	1x112	8	12
560	285	332	365	8	10	258	185	292	219	328	255	1X112	1x112	8	12
630	320	366	400	8	10	258	185	292	219	328	255	1X112	2x112	10	12
710	360	405	440	8	10	288	205	332	249	368	285	1X125	2x125	10	12
800	405	448	485	12	10	322	229	366	273	402	309	1X125	2x125	10	12
900	455	497	535	12	10	361	256	405	300	441	336	1x125	2x125	10	12
1000	505	551	585	12	10	404	288	448	332	484	368	2x125	3x125	14	12
1120	565	629	665	12	10	453	322	497	366	533	402	2x125	3x125	14	12
1250	635	698	735	12	12	507	361	551	405	587	441	2x125	3x125	14	12