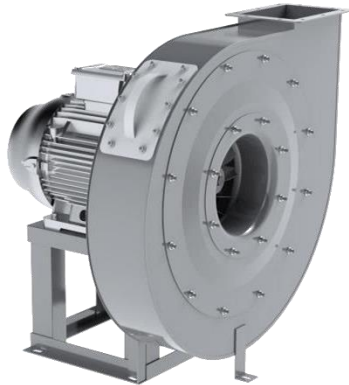


VN-VPMR ATEX



ATEX centrifugal fan with backward curved blades for high pressure and clean to slightly dusty air.


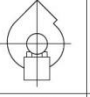





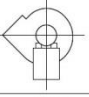








The information below covers the most common type. The possibilities are extensive and besides the type below, there are more possibilities to achieve the required working point.

If you are looking for a fan with a specific working point, please don't hesitate to contact us by phone +31 (0)416 391999 or email info@ventinet.nl and we will select the right fan for you.

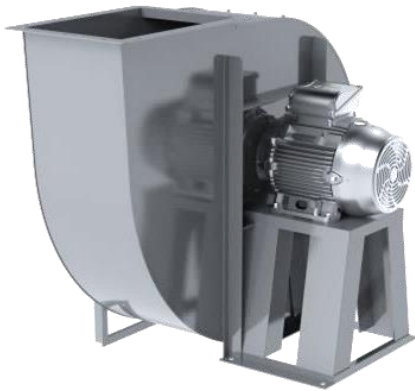
Sizes	350 up to 1.250 mm
Motor	Atex motor IP55, 230/1/50 or 400/50
Capacity	up to 37.000 m ³ /h
Pressure	up to 19.000 Pa
Control	Frequency converter
Casing	Steel with epoxy coating / galvanized / Stainless steel 304, 316
Impeller	Steel / Stainless steel 304, 316
Executions	Arrangement 4 (motor support), arrangement 5 (stronger motor plate) or belt driven. 16 different outlet angles.
Extra	Motors for different voltages, frequencies and with certificates Heavy duty → for larger capacities and pressures
Atex	Gas : zone 1 II2G and 2 II3G Dust : zone 21 II2D and 22 II3D
Accessories	Inspection window / Feet support / Protection grids / Flexible connections / Flanges / Anti-vibration mounts / Drain / Shutters / Switches / Sound insulated cabins / Frequency converters

More information about the capacities and pressures on request

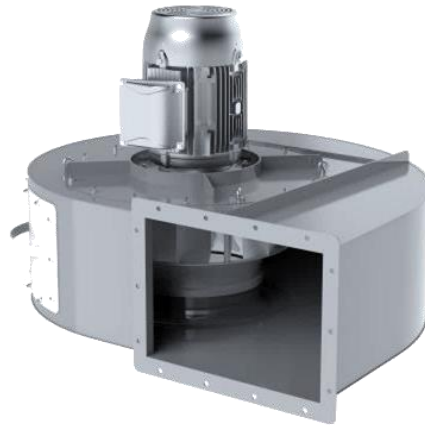
Outlet angles

RD								
	0°	45°	90°	135°	180°	225°	270°	315°
LG								

Arrangement 4 (B3)



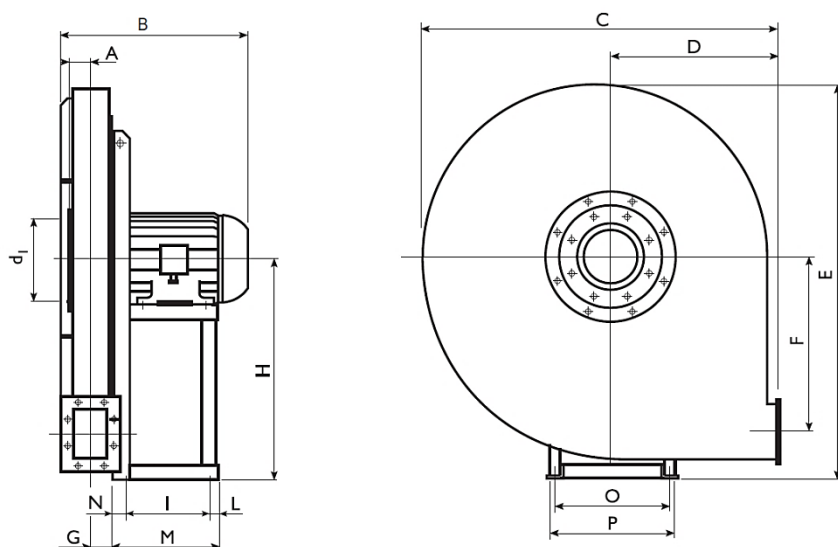
Arrangement 5 (B5)



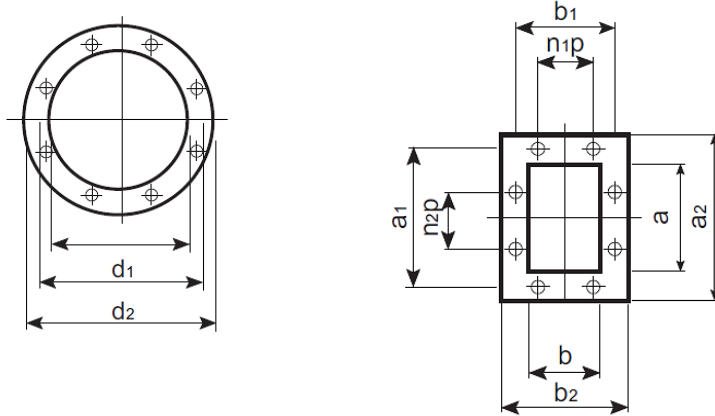
Arrangement 9 or 12 Belt driven



Indication dimensions VN-VPMR



Model	Mot (H)	Pm (kW)	Fan										Frame						
			A	B	C	D	E	F	G	H			I	L	M	N	O	P	Ø
										0° 135°	180° 225°	270° 315°							
352/A T	80	0,75	71	370	535	250	615	205	63	355	250	355	115	30	180	30	229	251	10
352/B T	80	1,1		370											180				
402/A T	90	1,5	78	425	590	280	658	228	70	375	280	375	140	30	205	30	254	276	10
402/B T	90	2,2		425											205				
452/A T	100	3	86	510	645	300	715	254	78	400	300	400	190	30	250	30	302	324	12
452/B T	112	4		510											250				
502/A T	112	4	95	585	715	335	795	285	89	450	335	450	240	30	250	30	352	374	12
502/B T	132	5,5		585											300				
562/A T	132	7,5	105	605	805	375	890	323	99	500	375	500	240	30	300	30	352	374	12
562/B T	160	11		740									355		415		402	444	14
632/A T	160	15	105	760	910	425	1000	381	99	560	425	560	355	30	415	30	402	444	14
632/B T	160	18,5		760											415				
712/A T	180	22	115	785	1015	475	1122	426	108	630	475	630	400	30	460	30	448	490	17
712/B T	200	30		860									440		500		506	568	19
714/A T	112	4	115	585	1015	475	1122	426	108	630	475	630	190	30	250	30	302	324	12
714/B T	132	5,5		650									240		300		352	374	12
802/A T	200	37	127	885	1140	530	1265	481	122	710	530	710	440	30	500	30	506	568	12
802/B T	250	55		960									540		600		604	690	12
804/A T	132	7,5	127	675	1140	530	1265	481	122	710	530	710	240	30	300	30	352	374	12
804/B T	132	9,2		675									240		300				
902/A T	280	75	140	1115	1285	600	1428	542	136	800	600	800	630	30	690	30	690	750	21
902/B T	280	90		1115									630		690		690	750	21
904/A T	160	11	140	835	1285	600	1428	542	136	800	600	800	355	30	415	30	402	444	14
904/B T	160	15		835									355		415		402	444	14
1002A T	315	110	160	1150	1430	670	1590	607	152	900	670	900	740	30	800	30	760	865	24
1002B T	315	160		1290									740		800		760	865	24
1004A T	180	18,5	160	870	1430	670	1590	607	152	900	670	900	400	30	460	30	448	490	17
1004B T	180	22		945									400		460		448	490	17



Model	Inlet flange					Outlet flange									
	d	d ₁	d ₂	n°	∅	a	b	a ₁	b ₁	a ₂	b ₂	n ₁ xp	n ₂ xp	n°	∅
350	185	219	250	8	8	166	117	200	151	236	187	-	1x112	6	12
400	205	241	275	8	8	185	131	219	165	255	201	-	1x112	6	12
450	228	265	298	8	8	207	148	241	182	277	218	1X112	1x112	6	12
500	255	292	325	8	10	231	166	265	200	301	236	1X112	1x112	8	12
560	285	332	365	8	10	258	185	292	219	328	255	1X112	1x112	8	12
630	320	366	400	8	10	258	185	292	219	328	255	1X112	2x112	10	12
710	360	405	440	8	10	288	205	332	249	368	285	1X125	2x125	10	12
800	405	448	485	12	10	322	229	366	273	402	309	1X125	2x125	10	12
900	455	497	535	12	10	361	256	405	300	441	336	1x125	2x125	10	12
1000	505	551	585	12	10	404	288	448	332	484	368	2x125	3x125	14	12
1120	565	629	665	12	10	453	322	497	366	533	402	2x125	3x125	14	12
1250	635	698	735	12	12	507	361	551	405	587	441	2x125	3x125	14	12