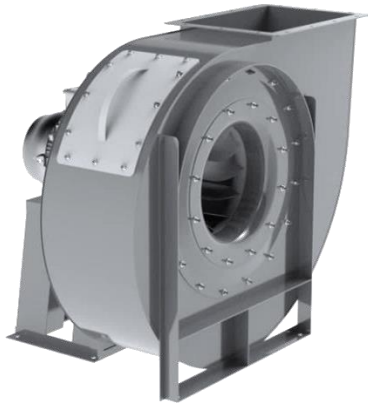


VN-TRM ATEX



ATEX centrifugal fan with backward curved blades for middle pressure and clean to very dusty air.

The information below covers the most common type. The possibilities are extensive and besides the type below, there are more possibilities to achieve the required working point.

If you are looking for a fan with a specific working point, please don't hesitate to contact us by phone +31 (0)416 391999 or email info@ventinet.nl and we will select the right fan for you.

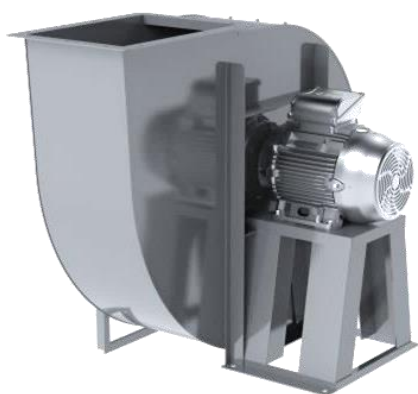
Sizes	220 up to 1.400 mm
Motor	Atex motor IP55, 230/1/50 or 400/50
Capacity	up to 95.000 m ³ /h
Druk	up to 5.500 Pa
Control	Frequency converter
Casing	Steel with epoxy coating / galvanized / Stainless steel 304, 316
Impeller	Steel / Stainless steel 304, 316
Executions	Arrangement 4 (motor support), arrangement 5 (stronger motor plate) or belt driven. 16 different outlet angles.
Extra	Motors for different voltages, frequencies and with certificates Heavy duty → for larger capacities and pressures
Atex	Gas : zone 1 II2G and 2 II3G Dust : zone 21 II2D and 22 II3D
Accessories	Inspection window / Feet support / Protection grids / Flexible connections / Flanges / Anti-vibration mounts / Drain / Shutters / Switches / Sound insulated cabins / Frequency converters

More information about the capacities and pressures on request

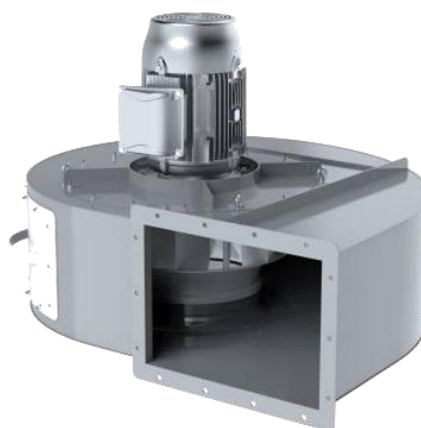
Outlet angles

RD								
	0°	45°	90°	135°	180°	225°	270°	315°
LG								
	0°	45°	90°	135°	180°	225°	270°	315°

Arrangement 4 (B3)



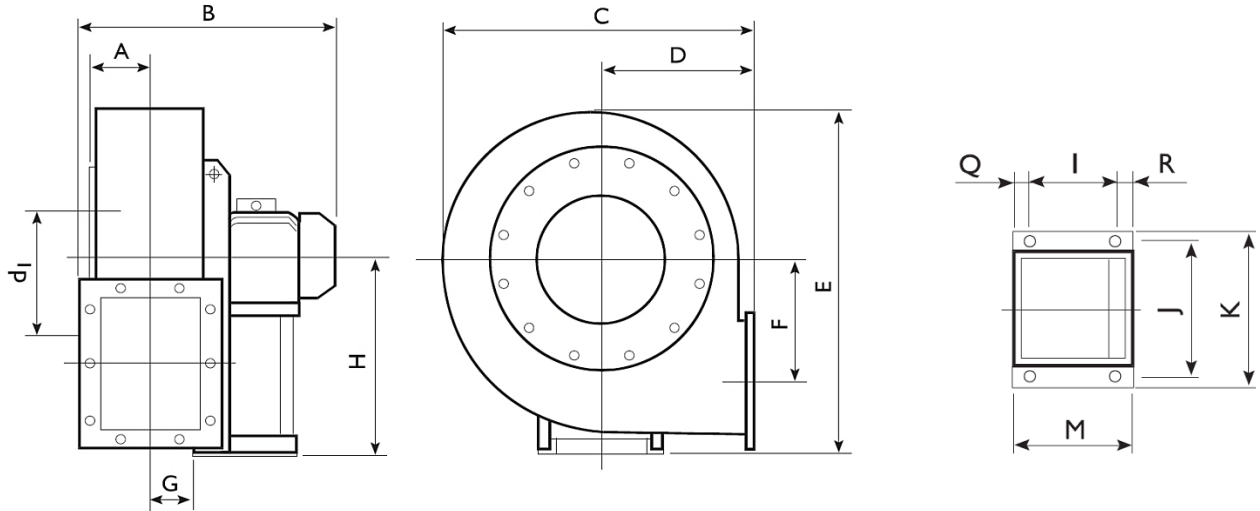
Arrangement 5 (B5)



Arrangement 9 or 12 Belt driven

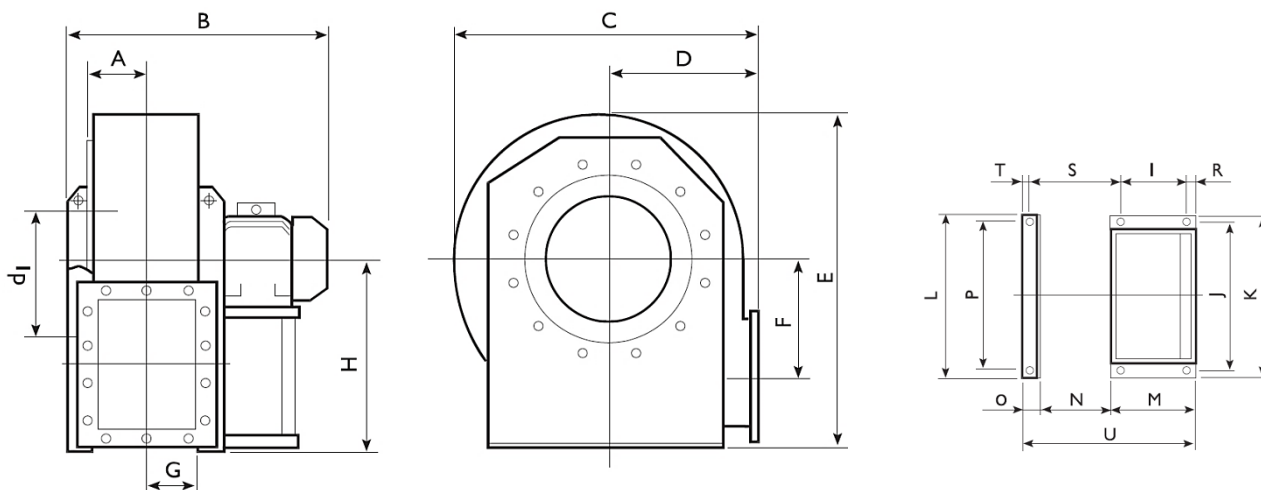


Indication dimensions VN-TRM (250 – 500)

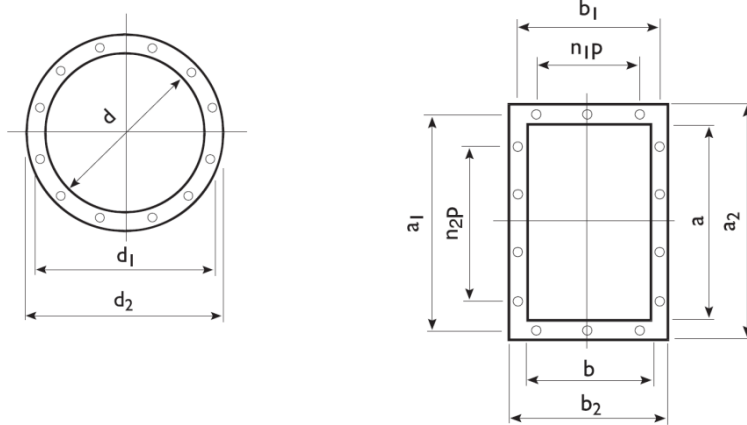


Model	Mot (H)	Pm (kW)	Fan										Frame													
			A	B	C	D	E	F	G	H			I	J	K	L	M	N	O	P	Q	R	S	T	U	Ø
								0°	135°	180°	225°	270°	315°													
222/A T	63	0.18	62	325	360	165	425	150	55	255	165	255	86	184	206	-	145	-	-	-	45	14	-	-	-	10
252/A T	63	0.25	86	380	441	195	526	175	76	315	195	315	86	184	206	-	145	-	-	-	45	14	-	-	-	10
252/B T	71	0.37	86	400	441	195	526	175	76	315	195	315	121	203	225	-	180	-	-	-	45	14	-	-	-	10
282/A T	71	0.55	95	420	477	200	610	202	86	375	200	375	121	203	225	-	180	-	-	-	45	14	-	-	-	10
282/B T	80	0.75	95	440	477	200	610	202	86	375	200	375	121	203	225	-	180	-	-	-	45	14	-	-	-	10
312/A T	80	1.1	105	460	527	225	658	229	96	400	225	400	121	203	225	-	180	-	-	-	45	14	-	-	-	10
312/B T	90	1.5	105	480	527	225	658	229	96	400	225	400	133	234	260	-	205	-	-	-	55	17	-	-	-	10
352/A T	90	1.5	115	500	600	255	740	253	107	450	255	450	133	234	260	-	205	-	-	-	55	17	-	-	-	10
352/B T	90	2.2	115	530	600	255	740	253	107	450	255	450	133	234	260	-	205	-	-	-	55	17	-	-	-	10
402/A T	100	3	127	590	655	285	815	286	118	500	285	500	197	289	324	-	250	-	-	-	30	23	-	-	-	12
402/B T	112	4	127	630	655	285	815	286	118	500	285	500	197	289	324	-	250	-	-	-	30	23	-	-	-	12
452/A T	132	5.5	141	670	735	320	915	321	131	560	320	560	237	337	372	-	300	-	-	-	40	23	-	-	-	12
452/B T	132	7.5	141	670	735	320	915	321	131	560	320	560	237	337	372	-	300	-	-	-	40	23	-	-	-	12
502/A T	160	11	157	830	832	360	1000	355	148	600	360	600	337	395	440	-	415	-	-	-	50	28	-	-	-	14
502/B T	160	15	157	830	832	360	1000	355	148	600	360	600	337	395	440	-	415	-	-	-	50	28	-	-	-	14
504/A T	90	1.1	157	580	832	360	1000	355	148	600	360	600	133	234	260	-	205	-	-	-	55	17	-	-	-	10
504/B T	90	1.5	157	615	832	360	1000	355	148	600	360	600	133	234	260	-	205	-	-	-	55	17	-	-	-	10

Indication dimensions VN-TRM (560 – 1.400)



Model	Mot (H)	Pm (kW)	Fan										Frame												
			A	B	C	D	E	F	G	H			I	J	K	L	M	N	O	P	R	S	T	U	Ø
										0°	180°	270°													
562/A T	160	18.5	177	880	940	400	1126	390	165	670	400	670	337	395	440	692	415	326	53	632	28	410	23	790	14
562/B T	180	22		935									835												
564/A T	100	2.2	3	705	940	400	1126	390	165	670	400	670	197	289	324	692	250	326	53	632	23	390	23	625	12
564/B T	100	3		705									625												
634/A T	112	4	195	775	1052	450	1260	439	185	750	450	750	197	289	324	762	250	365	53	702	23	430	23	664	12
634/B T	132	5.5		815									714												
714/A T	132	7.5	216	880	1189	500	1416	500	202	670	500	850	201	772	826	915	300	404	60	772	39	497	27	764	20
714/B T	160	11		960									879												
804/A T	160	15	241	1010	1340	560	1591	560	226	755	560	950	315	862	926	1045	415	453	80	862	39	546	47	948	20
804/B T	180	18.5		1050									993												
806/A T	132	4		940									833												
806/B T	132	5.5		940									833												
904/A T	200	30	275	1230	1500	630	1780	630	253	850	630	1060	401	962	1026	1145	500	507	80	962	39	600	47	1087	20
904/B T	225	37		1260									1127												
906/A T	160	7.5		1070									1002												
906/B T	160	11		1070									1002												
1004/A T	225	45	308	1320	1685	710	1993	710	284	950	710	1180	440	1056	1128	1255	540	569	100	1056	45	657	67	1209	20
1004/B T	250	55		1380									1269												
1006/A T	180	15		1230									1129												
1006/B T	200	18.5		1300									1169												
1124/A T	280	75	350	1620	1884	800	2222	800	319	1060	800	1320	565	1178	1268	1400	690	638	100	1178	45	763	55	1428	24
1124/B T	280	90		1620									1428												
1126/A T	200	22		1390									1238												
1126/B T	225	30		1410									1278												
1256/A T	250	37	388	1550	2116	900	2517	900	357	1190	900	1500	475	1310	1400	1530	600	715	100	1310	45	840	55	1415	24
1256/B T	280	45		1700									1505												



Model	Inlet flange					Outlet flange									
	d	d ₁	d ₂	n°	∅	a	b	a ₁	b ₁	a ₂	b ₂	n ₁ xp	n ₂ xp	n°	∅
220	130	150	170	4	8	124	103	145	125	164	143	-	-	4	8
250	185	219	255	8	8	207	148	241	182	277	218	1x112	1x112	8	12
280	205	241	275	8	8	231	166	265	200	301	236	1x112	1x112	8	12
310	228	265	298	8	8	258	185	292	219	328	255	1x112	2x112	10	12
350	255	292	325	8	10	288	205	332	249	368	285	1x125	2x125	10	12
400	285	332	365	8	10	322	229	366	273	402	309	1x125	2x125	10	12
450	320	366	400	8	10	361	256	405	300	441	336	1x125	2x125	10	12
500	360	405	440	8	10	404	288	448	332	484	368	2x125	3x125	14	12
560	405	448	485	12	10	453	322	497	366	533	402	2x125	3x125	14	12
630	455	497	535	12	10	507	361	551	405	587	441	2x125	3x125	14	12
710	505	551	585	12	10	569	404	629	464	669	504	2x160	3x160	14	14
800	565	629	665	12	10	638	453	698	513	738	553	2x160	3x160	14	14
900	635	698	735	12	12	715	507	775	567	815	607	2x160	4x160	16	14
1000	715	775	815	16	12	801	569	871	639	921	689	2x200	3x200	14	14
1120	805	861	905	16	12	898	638	968	708	1018	758	3x200	4x200	18	14
1250	905	958	1005	16	12	1007	715	1077	785	1127	835	3x200	4x200	18	14