


VN-RS



Centrifugal fan with backward curved blades for low pressure and clean to slightly dusty air.

The information below covers the most common type. The possibilities are extensive and besides the type below, there are more possibilities to achieve the required working point.

If you are looking for a fan with a specific working point, please don't hesitate to contact us by phone +31 (0)416 391999 or email info@ventinet.nl and we will select the right fan for you.

Sizes	250 up to 1.400 mm
Motor (standard)	Norm motor IP55, 230/1/50 of 400/50
Capacity	up to 185.000 m ³ /h
Pressure	up to 3.500 Pa
Control	Frequency converter
Casing	Steel with epoxy coating / galvanized / Stainless steel 304, 316
Impeller	Steel / Stainless steel 304, 316
Executions	Arrangement 4 (motor support), arrangement 5 (stronger motor plate) or belt driven. 16 different outlet angles.
Extra	Motors for different voltages, frequencies and with certificates 150°C with cooling fan and 300°C with belt driven. Heavy duty → for larger capacities and pressures
Atex	 Gas : zone 1 II2G and 2 II3G Dust : zone 21 II2D and 22 II3D
Accessories	Inspection window / Feet support / Protection grids / Flexible connections / Flanges / Anti-vibration mounts / Drain / Shutters / Switches / Sound insulated cabins / Frequency converters

Qv m3/h		930	1080	1190	1330	1500	1700	1900	2150	2400	2700	3050	3450	3850	4250	4750
Model VN-RS	Motor (kW)	Pt mm H ₂ O = da Pa														
252 T	0.55															
282 T	1,1				110	106	103	100	96	91	85	77	67	52		
312 T	2,2							139	136	132	128	123	116	109	99	87
352 T	3										185	182	178	174	168	160
402 T	4													213	210	207
402 T	5.5													231	226	220
452 T	7.5															
452 T	11															
502 T	15															
502 T	18.5															
314 T	0.18	29	28	27	26	25	23	21	18	14	8					
354 T	0.37				40	39	38	37	35	33	30	27	23	17		
404 T	0.55							52	50	46	47	45	43	39	35	30
454 T	0.75										61	60	59	58	56	52
454 T	1.1										66	65	64	62	59	57
504 T	1.5													76	75	74
504 T	2.2													87	85	83
564 T	3															
564 T	4															
634 T	5.5															
634 T	7.5															
714 T	11															
714 T	15															
804 T	18.5															
804 T	22															
904 T	37															
904 T	45															
1004 T	55															
1004 T	75															
506 T	0.37									35	34	33	32	31	29	26
506 T	0.55									37	36	35	34	33	32	30
566 T	0.75												43	42	41	40
566 T	1.1												47	46	45	44
636 T	1.5															58
636 T	2.2															61
716 T	3															
716 T	4															
806 T	5.5															
806 T	7.5															
906 T	11															
906 T	15															
1006 T	18.5															
1006 T	22															
1126 T	30															
1126 T	37															
1256 T	55															
1256 T	75															

Qv m3/h		5400	6150	6850	7650	8500	9500	10800	12000	13500	15300	17000	19000	21600	24200	27000
Model VN-RS	Motor (kW)	Pt mm H ₂ O = da Pa														
252 T	0.55															
282 T	1,1															
312 T	2,2	68														
352 T	3	150	137	122	98											
402 T	4	201	194	184	170	148	95									
402 T	5.5	214	207	197	185	171	148	117	76							
452 T	7.5	269	268	267	263	258	244	220	187	127						
452 T	11	292	289	284	278	266	253	234	213	185	156	107				
502 T	15				335	331	327	320	309	291	268	227	146			
502 T	18.5				370	366	357	346	334	320	302	281	249	200	122	
314 T	0.18															
354 T	0.37															
404 T	0.55	23														
454 T	0.75	46	37	19												
454 T	1.1	53	48	41	32											
504 T	1.5	73	71	66	57	43	17									
504 T	2.2	81	77	73	69	63	54	40								
564 T	3	98	97	96	94	91	84	74	60	29						
564 T	4	110	107	104	101	97	93	86	78	66	53	29				
634 T	5.5				128	126	124	121	117	109	98	81	47			
634 T	7.5				153	150	146	142	137	132	123	113	101	82	52	
714 T	11							172	171	169	166	162	155	142	122	85
714 T	15							193	191	186	181	175	169	161	145	128
804 T	18.5										214	211	207	203	197	187
804 T	22										226	222	218	213	207	199
904 T	37													283	282	280
904 T	45													317	314	308
1004 T	55															
1004 T	75															
506 T	0.37	21	14													
506 T	0.55	27	23	19												
566 T	0.75	38	36	32	27	17										
566 T	1.1	42	40	38	35	31	23									
636 T	1.5	56	55	54	52	50	45	38	27							
636 T	2.2	60	59	58	57	55	51	47	42	35	23					
716 T	3			71	70	69	68	66	63	58	51	36				
716 T	4			82	80	78	76	73	70	66	62	57	47	35		
806 T	5.5						93	92	91	90	87	83	77	68	52	
806 T	7.5						102	101	100	98	95	91	86	81	72	61
906 T	11									119	117	115	113	111	105	98
906 T	15									131	130	127	124	120	115	109
1006 T	18.5												146	144	142	140
1006 T	22												164	160	156	152
1126 T	30															185
1126 T	37															211
1256 T	55															
1256 T	75															

Qv m ³ /h		30600	34200	38200	42500	47500	54000	61000	68500	76500	85000	95400	108000	120600	135000
Model VN-RS	Motor (kW)	Pt mm H ₂ O = da Pa													
252 T	0.55														
282 T	1,1														
312 T	2,2														
352 T	3														
402 T	4														
402 T	5.5														
452 T	7.5														
452 T	11														
502 T	15														
502 T	18.5														
314 T	0.18														
354 T	0.37														
404 T	0.55														
454 T	0.75														
454 T	1.1														
504 T	1.5														
504 T	2.2														
564 T	3														
564 T	4														
634 T	5.5														
634 T	7.5														
714 T	11														
714 T	15	106	63												
804 T	18.5	174	150	105											
804 T	22	190	177	158	133	88									
904 T	37	275	268	258	239	214	156								
904 T	45	300	292	283	270	247	218	185	132						
1004 T	55	339	336	332	329	315	299	274	231	161					
1004 T	75	377	372	366	355	345	331	315	289	257	214	127			
506 T	0.37														
506 T	0.55														
566 T	0.75														
566 T	1.1														
636 T	1.5														
636 T	2.2														
716 T	3														
716 T	4														
806 T	5.5														
806 T	7.5	47													
906 T	11	89	72												
906 T	15	102	94	82	63										
1006 T	18.5	136	131	121	103	76									
1006 T	22	148	142	134	123	109	93	68							
1126 T	30	184	183	179	174	166	153	135	100						
1126 T	37	207	203	198	191	185	173	161	144	123	92				
1256 T	55			236	232	228	223	217	207	192	170	115			
1256 T	75			263	259	253	247	240	229	218	203	180	150	117	

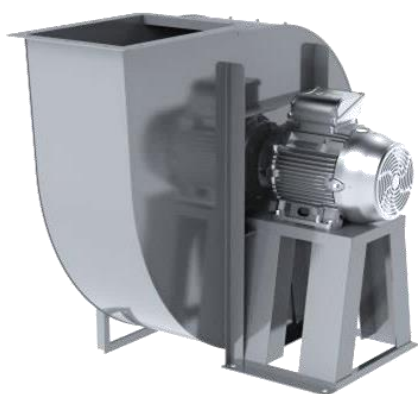
[Types and changes reserved]

If you can't find the fan in our brochure or website www.ventinet.com, would you like to receive more specific information or a quote of one of our products, please feel free to contact us per email info@ventinet.nl or phone +31(0)416 391999

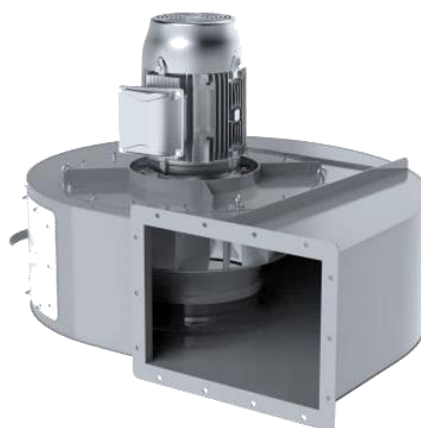
Outlet angles

RD								
	0°	45°	90°	135°	180°	225°	270°	315°
LG								
	0°	45°	90°	135°	180°	225°	270°	315°

Arrangement 4 (B3)



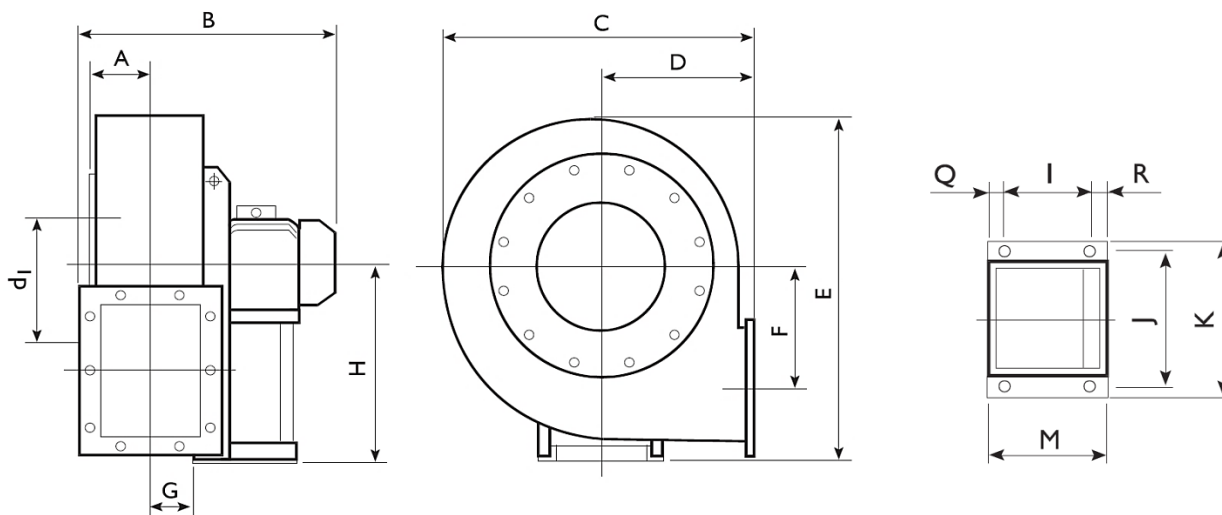
Arrangement 5 (B5)



Arrangement 9 or 12 Belt driven

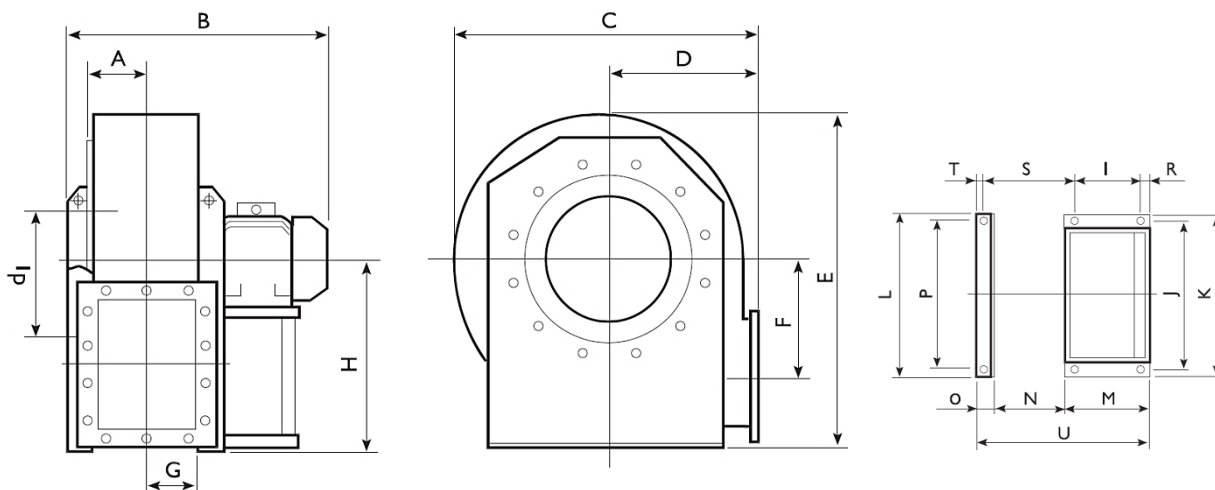


Indication dimensions VN-RS (250 – 500)

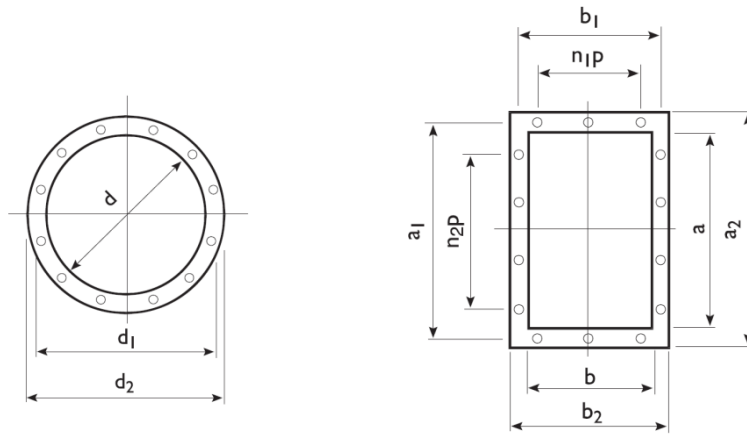


Model	Mot (H)	Pm (kW)	Fan										Frame													
			A	B	C	D	E	F	G	H			I	J	K	L	M	N	O	P	Q	R	S	T	U	Ø
								0°	180°	270°																
								135°	225°	315°																
252/A T	71	0.55	94	435	441	195	526	149	96	315	195	315	121	203	225	-	180	-	-	-	45	14	-	-	-	10
282/A T	80	1.1	105	450	477	200	610	172	105	375	200	375	121	203	225	-	180	-	-	-	45	14	-	-	-	10
312/A T	90	2.2	117	539	527	225	658	196	117	400	225	400	133	234	260	-	205	-	-	-	55	17	-	-	-	10
314/A T	63	0.18		454									86	184	206	-	145	-	-	-	45	14	-	-	-	10
352/A T	100	3	130	636	600	255	740	216	131	450	255	450	197	289	324	-	250	-	-	-	30	23				12
354/A T	71	0.37		506									121	203	225	-	180	-	-	-	45	14				10
402/A T	112	4		668									197	289	324	-	250	-	-	-	30	23				12
402/B T	132	5.5	147	730	655	285	815	245	147	500	285	500	237	337	372	-	300	-	-	-	40	23				12
404/A T	80	0.55		558									121	203	225	-	180	-	-	-	45	14				10
452/A T	132	7.5		764									237	337	372	-	300	-	-	-	40	23				12
452/B T	160	11		900	735	320	915	275	166	560	320	560	337	395	440	-	415	-	-	-	50	25	-			14
454/A T	80	0.75	163	592									121	203	225	-	180	-	-	-	45	14				10
454/B T	90	1.1		632									133	234	260	-	205	-	-	-	55	17				10
502/A T	160	15		939									337	395	440	-	415	-	-	-	50	28				14
502/B T	160	18.5		939									337	395	440	-	415	-	-	-	50	28				14
504/A T	90	1.5	183	671	832	360	1000	303	185	600	360	600	133	234	260	-	205	-	-	-	55	17				10
504/B T	100	2.2		741									197	289	324	-	250	-	-	-	30	23				12
506/A T	80	0.37		631									121	203	225	-	180	-	-	-	45	14				10
506/B T	80	0.55		631									121	203	225	-	180	-	-	-	45	14				10

Indication dimensions VN-RS (560 – 1250)



Model	Mot (H)	Pm (kW)	Fan									Frame													
			A	B	C	D	E	F	G	H			I	J	K	L	M	N	O	P	R	S	T	U	Ø
									0°	180°	270°														
									135°	225°	315°														
564/A T	100	3		797									197	289	324		250				23	468		711	12
564/B T	112	4		797									197	289	324		250				23	468		711	12
566/A T	90	0.75	205	727	940	400	1126	332	206	670	400	670	133	234	260	692	205	400	53	632	17	493	23	666	10
566/B T	90	1.10		727									133	234	260		205				17	493		666	10
634/A T	132	5.5		908									237	337	372		300					527		810	
634/B T	132	7.5	230	908	1052	450	1260	373	231	755	450	750	237	337	372	762	300	457	53	702		527	23	810	
636/A T	100	1.5		846									197	289	324		250					517		760	12
636/B T	112	2.2		846									197	289	324		250					517		760	
714/A T	160	11		1105									316				418							988	
714/B T	160	15		1105									316				418							988	
716/A T	132	3	257	969	1160	500	1416	427	256	850	500	850	201	772	826	832	303	510	60	772	39	606	27	873	20
716/B T	132	4		969									201				303							873	
804/A T	180	18.5		1187									361				463							1096	
804/B T	180	22	287	1262	1312	560	1591	478	287	950	560	950	361				463							1095	
806/A T	132	5.5		1051									201	862	925	932	303	572	60	862	39	668	27	935	20
806/B T	160	7.5		1187									316				418							1050	
904/A T	225	37		1408									441				540							1258	
904/B T	225	45	322	1408	1470	630	1780	538	319	850	630	1060	441				540							1258	
906/A T	160	11		1256									316	962	1026	1145	415	638	80	962	39	731	47	1133	20
906/B T	180	15		1331									361				460							1133	
1004/A T	250	55		1505									500				600							1416	
1004/B T	280	75	360	1635	1656	710	1993	607	358	950	710	1180	590				690							1505	
1006/A T	200	18.5		1428									400	1056	1128	1255	500	715	100	1056	45	803	67	1315	20
1006/B T	200	22		1428									400				500							1315	
1126/A T	225	30	404	1590	1854	800	2222	684	401	1060	800	1320	415	1178	1268	1400	540	801	100	1178	45	926	55	1441	24
1126/B T	250	37		1590									475				600							1501	
1256/A T	280	55	452	1818	2084	900	2517	770	449	1190	900	1500	565	1310	1400	1530	690	898	100	1310	45	1023	55	1688	24
1256/B T	315	75		1818									675				800							1798	



Model	Inlet flange					outlet flange									
	d	d ₁	d ₂	n°	∅	a	b	a ₁	b ₁	a ₂	b ₂	n _{1xp}	n _{2xp}	n°	∅
250	255	292	325	8	10	258	185	292	219	328	255	1x112	2x112	10	12
280	285	332	365	8	10	288	205	332	249	368	285	1x125	2x125	10	12
310	320	366	400	8	10	322	229	366	273	402	309	1x125	2x125	10	12
350	360	405	440	8	10	361	256	405	300	441	336	1x125	2x125	10	12
400	405	448	485	8	10	404	288	448	332	484	368	2x125	3x125	14	12
450	455	497	535	8	10	453	322	497	366	533	402	2x125	3x125	14	12
500	505	551	585	8	10	507	361	551	405	587	441	2x125	3x125	14	12
560	565	629	665	16	10	569	404	629	464	669	504	2x160	3x160	14	14
630	635	698	735	16	12	638	453	698	513	738	553	2x160	3x160	14	14
710	715	775	815	16	12	715	507	775	567	815	607	2x160	4x160	16	14
800	805	861	905	16	12	801	569	871	639	921	689	2x200	3x200	14	14
900	905	958	1005	16	12	898	638	968	708	1018	758	3x200	4x200	18	14
1000	1007	1067	1107	16	12	1007	715	1077	785	1127	835	3x200	4x200	18	14
1120	1130	1200	1250	24	12	1130	801	1210	881	1270	941	3x200	5x200	20	18
1250	1260	1337	1380	24	12	1267	898	1347	978	1407	1038	4x200	6x200	24	18