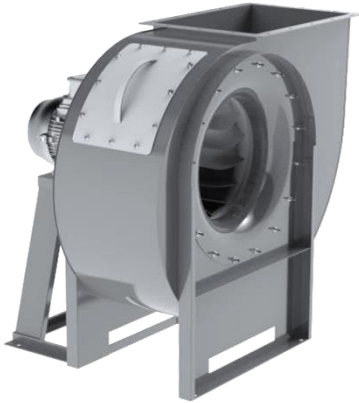


VN-RS ATEX



ATEX centrifugal fan with backward curved blades for low pressure and clean to slightly dusty air.

The information below covers the most common type. The possibilities are extensive and besides the type below, there are more possibilities to achieve the required working point.

If you are looking for a fan with a specific working point, please don't hesitate to contact us by phone +31 (0)416 391999 or email info@ventinet.nl and we will select the right fan for you.

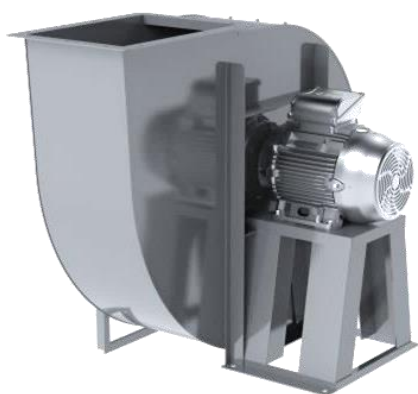
Sizes	250 up to 1.400 mm
Motor	Atex motor IP55, 230/1/50 or 400/50
Capacity	up to 185.000 m ³ /h
Pressure	up to 3.500 Pa
Control	Frequency converter
Casing	Steel with epoxy coating / galvanized / Stainless steel 304, 316
Impeller	Steel / Stainless steel 304, 316
Executions	Arrangement 4 (motor support), arrangement 5 (stronger motor plate) or belt driven. 16 different outlet angles.
Extra	Motors for different voltages, frequencies and with certificates Heavy duty → for larger capacities and pressures
Atex	Gas : zone 1 II2G and 2 II3G Dust : zone 21 II2D and 22 II3D
Accessories	Inspection window / Feet support / Protection grids / Flexible connections / Flanges / Anti-vibration mounts / Drain / Shutters / Switches / Sound insulated cabins / Frequency converters

More information about the capacities and pressures on request

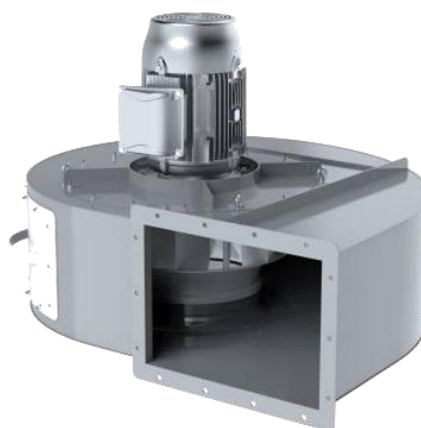
Outlet angles

RD								
	0°	45°	90°	135°	180°	225°	270°	315°
LG								
	0°	45°	90°	135°	180°	225°	270°	315°

Arrangement 4 (B3)



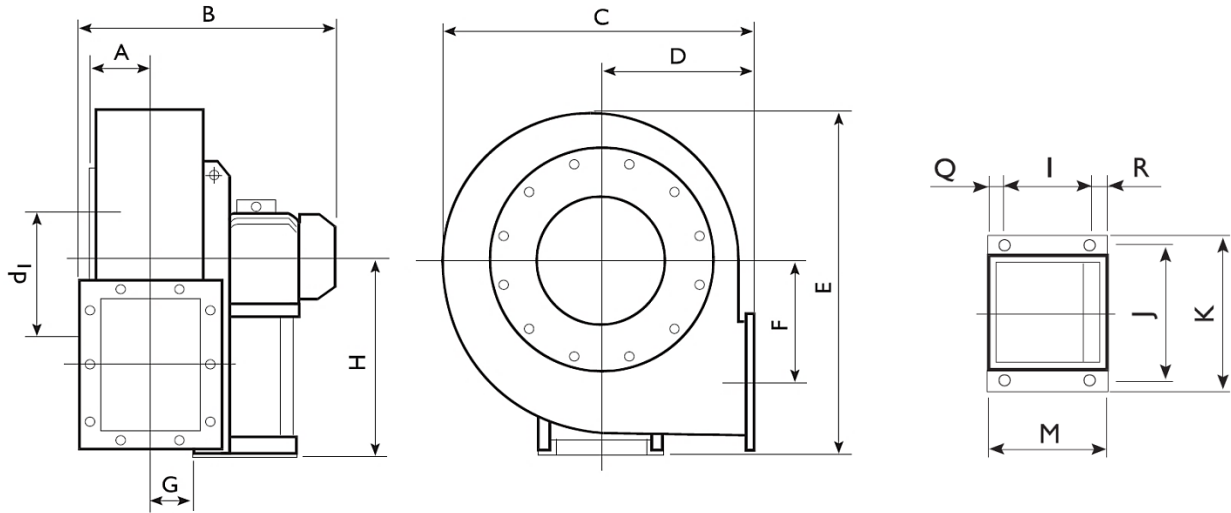
Arrangement 5 (B5)



Arrangement 9 or 12 Belt driven

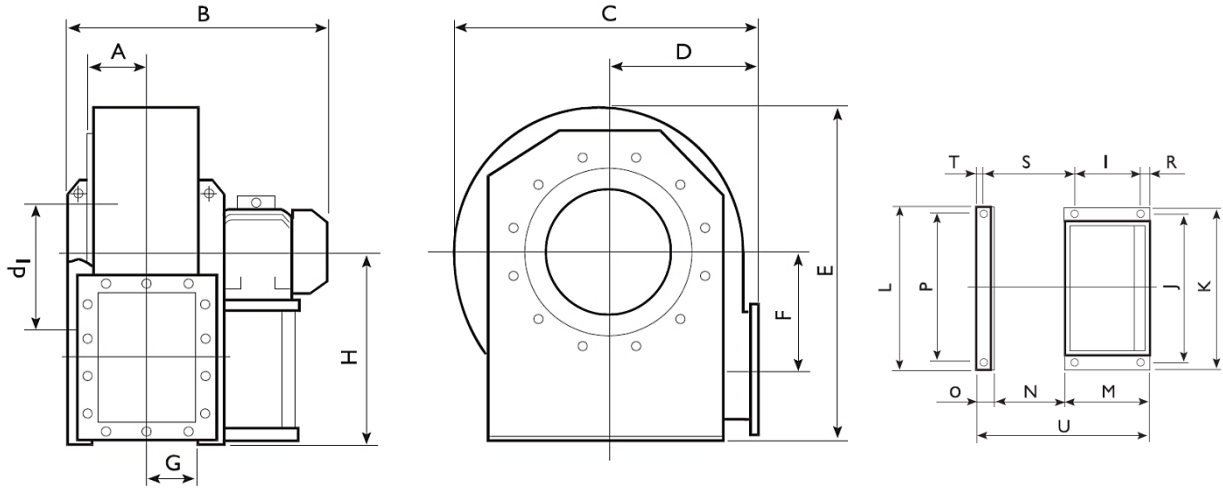


Indication dimensions VN-RS (250 – 500)

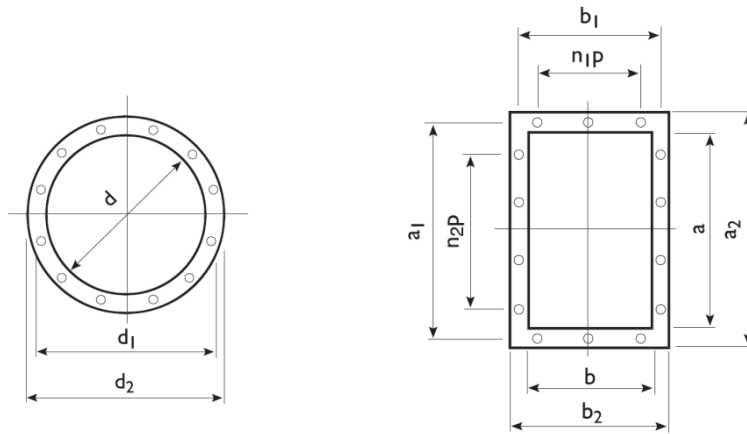


Model	Mot (H)	Pm (kW)	Fan										Frame													
			A	B	C	D	E	F	G	H			I	J	K	L	M	N	O	P	Q	R	S	T	U	Ø
								0°	180°	270°																
								135°	225°	315°																
252/A T	71	0.55	94	435	441	195	526	149	96	315	195	315	121	203	225	-	180	-	-	-	45	14	-	-	-	10
282/A T	80	1.1	105	450	477	200	610	172	105	375	200	375	121	203	225	-	180	-	-	-	45	14	-	-	-	10
312/A T	90	2.2	117	539	527	225	658	196	117	400	225	400	133	234	260	-	205	-	-	-	55	17	-	-	-	10
314/A T	63	0.18		454									86	184	206	-	145	-	-	-	45	14	-	-	-	10
352/A T	100	3		636									197	289	324	-	250	-	-	-	30	23				12
354/A T	71	0.37	130	506	600	255	740	216	131	450	255	450	121	203	225	-	180	-	-	-	45	14				10
402/A T	112	4		668									197	289	324	-	250	-	-	-	30	23				12
402/B T	132	5.5	147	730	655	285	815	245	147	500	285	500	237	337	372	-	300	-	-	-	40	23				12
404/A T	80	0.55		558									121	203	225	-	180	-	-	-	45	14				10
452/A T	132	7.5		764									237	337	372	-	300	-	-	-	40	23				12
452/B T	160	11		900									337	395	440	-	415	-	-	-	50	25				14
454/A T	80	0.75	163	592	735	320	915	275	166	560	320	560	121	203	225	-	180	-	-	-	45	14				10
454/B T	90	1.1		632									133	234	260	-	205	-	-	-	55	17				10
502/A T	160	15		939									337	395	440	-	415	-	-	-	50	28				14
502/B T	160	18.5		939									337	395	440	-	415	-	-	-	50	28				14
504/A T	90	1.5		671									133	234	260	-	205	-	-	-	55	17				10
504/B T	100	2.2	183	741	832	360	1000	303	185	600	360	600	197	289	324	-	250	-	-	-	30	23				12
506/A T	80	0.37		631									121	203	225	-	180	-	-	-	45	14				10
506/B T	80	0.55		631									121	203	225	-	180	-	-	-	45	14				10

Indication dimensions VN-RS (560 – 1250)



Model	Mot (H)	Pm (kW)	Fan										Frame												
			A	B	C	D	E	F	G	H			I	J	K	L	M	N	O	P	R	S	T	U	Ø
								0°	135°	180°	225°	270°	315°												
564/A T	100	3		797									197	289	324		250				23	468		711	12
564/B T	112	4		797								197	289	324		250				23	468		711	12	
566/A T	90	0.75	205	727	940	400	1126	332	206	670	400	670	133	234	260		205	400	53	632		493	666	10	
566/B T	90	1.10		727									133	234	260		205			17	493		666	10	
634/A T	132	5.5		908									237	337	372		300					527		810	
634/B T	132	7.5		908									237	337	372		300					527		810	
636/A T	100	1.5	230	846	1052	450	1260	373	231	755	450	750	197	289	324		250	457	53	702		517	760	12	
636/B T	112	2.2		846									197	289	324		250					517		760	
714/A T	160	11		1105									316				418							988	
714/B T	160	15		1105									316				418							988	
716/A T	132	3	257	969	1160	500	1416	427	256	850	500	850	201	772	826		303	510	60	772		606	27	873	20
716/B T	132	4		969									201				303							873	
804/A T	180	18.5		1187									361				463							1096	
804/B T	180	22		1262									361				463							1095	
806/A T	132	5.5	287	1051	1312	560	1591	478	287	950	560	950	201	862	925		303	572	60	862		668	27	935	20
806/B T	160	7.5		1187									316				418							1050	
904/A T	225	37		1408									441				540							1258	
904/B T	225	45		1408									441				540							1258	
906/A T	160	11	322	1256	1470	630	1780	538	319	850	630	1060	316	962	1026		415	638	80	962		731	47	1133	20
906/B T	180	15		1331									361				460							1133	
1004/A T	250	55		1505									500				600							1416	
1004/B T	280	75		1635									590				690							1505	
1006/A T	200	18.5	360	1428	1656	710	1993	607	358	950	710	1180	400	1056	1128		500	715	100	1056		803	67	1315	20
1006/B T	200	22		1428									400				500							1315	
1126/A T	225	30		1590									415				540							1441	
1126/B T	250	37	404	1590	1854	800	2222	684	401	1060	800	1320	475	1178	1268		600	801	100	1178		926	55	1501	24
1256/A T	280	55		1818									565				690							1688	
1256/B T	315	75	452	1818	2084	900	2517	770	449	1190	900	1500	675	1310	1400		800	898	100	1310		1023	55	1798	24



Model	Inlet flange					Outlet flange									
	d	d ₁	d ₂	n°	∅	a	b	a ₁	b ₁	a ₂	b ₂	n ₁ xp	n ₂ xp	n°	∅
250	255	292	325	8	10	258	185	292	219	328	255	1x112	2x112	10	12
280	285	332	365	8	10	288	205	332	249	368	285	1x125	2x125	10	12
310	320	366	400	8	10	322	229	366	273	402	309	1x125	2x125	10	12
350	360	405	440	8	10	361	256	405	300	441	336	1x125	2x125	10	12
400	405	448	485	8	10	404	288	448	332	484	368	2x125	3x125	14	12
450	455	497	535	8	10	453	322	497	366	533	402	2x125	3x125	14	12
500	505	551	585	8	10	507	361	551	405	587	441	2x125	3x125	14	12
560	565	629	665	16	10	569	404	629	464	669	504	2x160	3x160	14	14
630	635	698	735	16	12	638	453	698	513	738	553	2x160	3x160	14	14
710	715	775	815	16	12	715	507	775	567	815	607	2x160	4x160	16	14
800	805	861	905	16	12	801	569	871	639	921	689	2x200	3x200	14	14
900	905	958	1005	16	12	898	638	968	708	1018	758	3x200	4x200	18	14
1000	1007	1067	1107	16	12	1007	715	1077	785	1127	835	3x200	4x200	18	14
1120	1130	1200	1250	24	12	1130	801	1210	881	1270	941	3x200	5x200	20	18
1250	1260	1337	1380	24	12	1267	898	1347	978	1407	1038	4x200	6x200	24	18