

VN-Diffuser



Axial ring fan for recirculation.

If you are looking for a fan with a specific working point, please don't hesitate to contact us by phone +31 (0)416 391999 or email info@ventinet.nl and we will select the right fan for you.

Size	800 mm
Motor	Compact motor IP55, 230/1/50 or 400/3/50
Capacity	± 10.000 m ³ /h
Control	To be agreed
Casing	Steel coated
Impeller	Plastic
Airflow	Motor → Impeller
Accessories	Temperature sensor with thermostat / Switch / Speed regulator

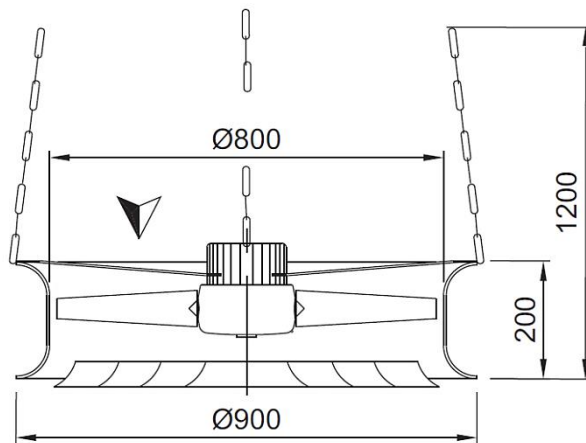
230/1/50

Model	Capacity max. (m3/h)	Speed max. (rpm)	Motor (kW)	In max. (A)
80 M	9.000	500	0,12	2,3

400/3/50

Model	Capacity max. (m3/h)	Speed max. (rpm)	Motor (kW)	In max. (A)
80 T	10.500	650	0,12	0,7

Indication dimensions VN-Diffuser



Dimensioni in mm/Dimensions in mm

