

VN-WINDOW



Consumer fan.

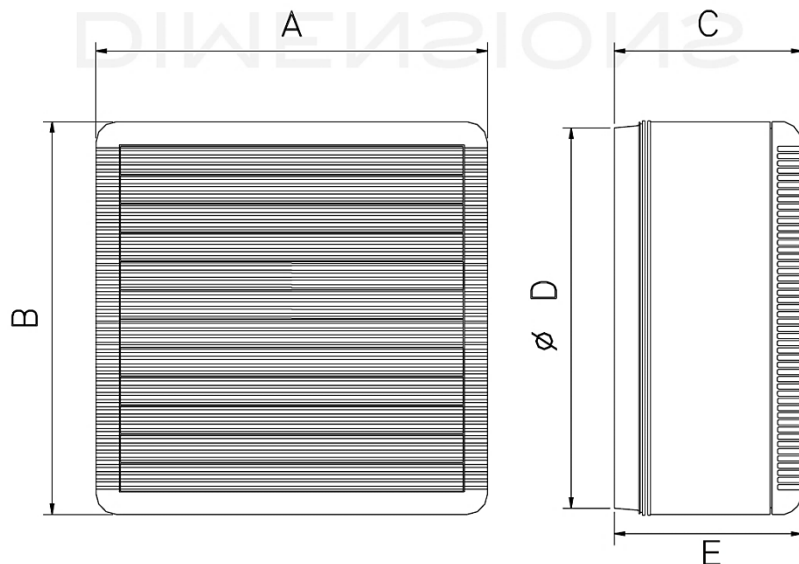
If you are looking for a fan with a specific working point, please don't hesitate to contact us by phone +31 (0)416 391999 or email info@ventinet.nl and we will select the right fan for you.

Sizes	15/6 23/9 31/12
Motor (standard)	Induction motor, 230/1/50
Capacity	up to 1.400 m ³ /h
Pressure	up to 400 Pa
Control	Transformer
Extra	Model (A/REV) with automatic shutters
Accessories	Speed regulators, mounting kit

230/1/50

Model	Capacity max. (m ³ /h)	Pressure max. (Pa stat.)	Motor (W)	dB (A)
WINDOW 15/6 A	300	75	45	48
WINDOW 23/9 A/REV	700	194	46	50
WINDOW 32/12 A/RV	1400	389	106	59

Indication dimensions VN-WINDOW



	A	B	C	Ø D
WINDOW 15/6	195	195	126	184/188
WINDOW 23/9	287	287	138	254/258
WINDOW 32/12	364	364	162	324/329

