

VN-INWALL



Consumer fan.

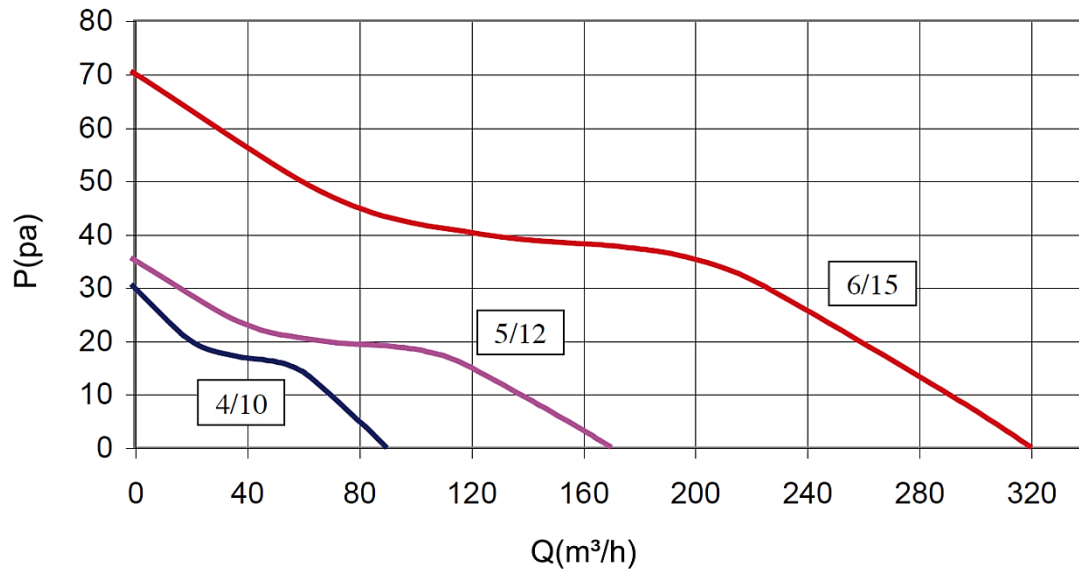
If you are looking for a fan with a specific working point, please don't hesitate to contact us by phone +31 (0)416 391999 or email info@ventinet.nl and we will select the right fan for you.

Sizes	4/12 5/12 6/15
Motor (standard)	Induction motor, 230/1/50
Capacity	up to 320 m ³ /h
Pressure	up to 70 Pa
Control	Transformer
Extra	Fan to build into the wall, duct or panel
Accessories	Speed regulators, grids, shutters

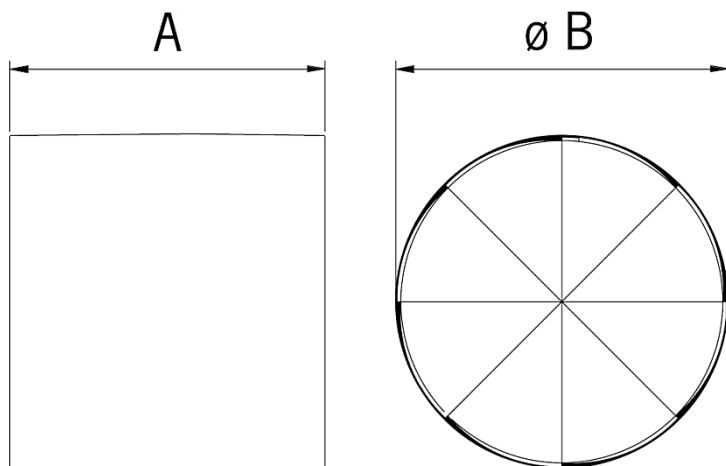
230/1/50

Model	Capacity max. (m ³ /h)	Pressure max. (Pa stat.)	Motor (W)	dB (A)
INWALL 4/10	90	30	14	38
INWALL 5/12	170	35	18	44
INWALL 6/15	320	70	40	51

CURVES

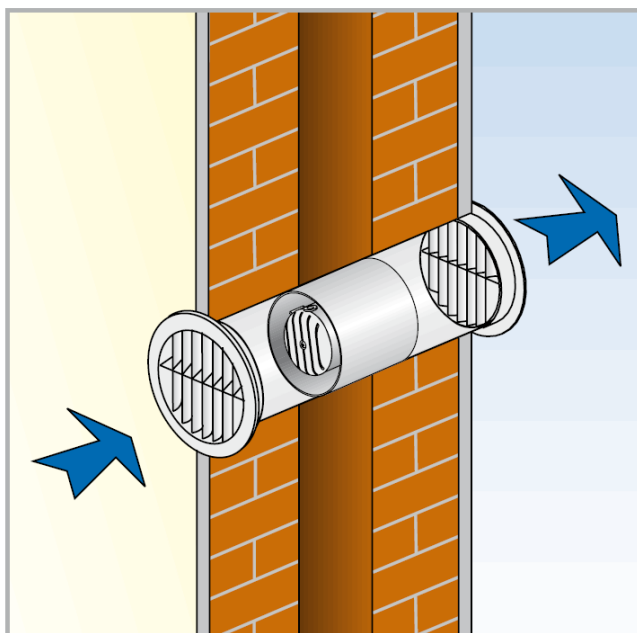


Indication dimensions VN-INWALL



	A	B
INWALL 4/10	92	97
INWALL 5/12	97	119
INWALL 6/15	125	151

WALL



CEILING

