

## VN-AXICEN



### Consumer fan.

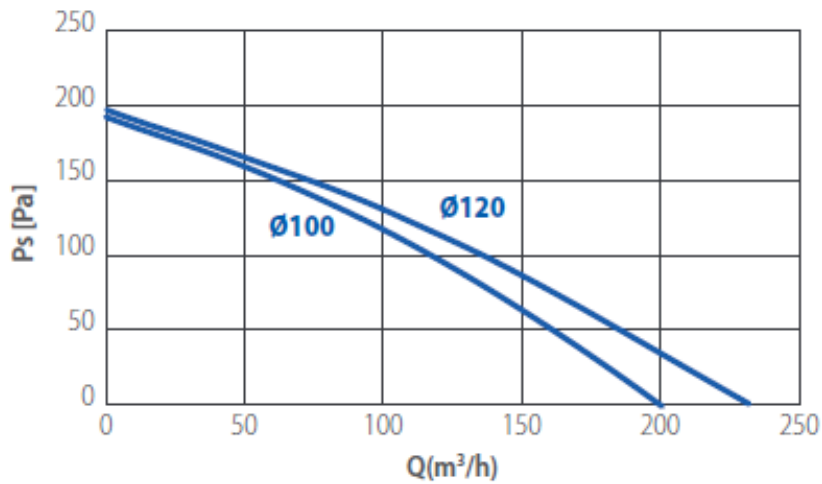
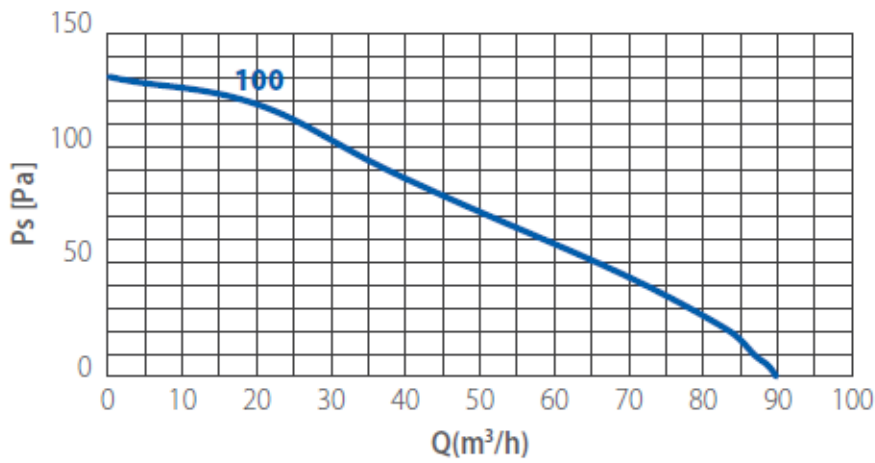
If you are looking for a fan with a specific working point, please don't hesitate to contact us by phone +31 (0)416 391999 or email [info@ventinet.nl](mailto:info@ventinet.nl) and we will select the right fan for you.

Sizes	100 + 250
Motor (standard)	Induction motor, 230/1/50
Capacity	up to 230 m <sup>3</sup> /h
Pressure	up to 195 Pa
Control	Transformer
Extra	Base model with outlet shutters Model (TIMER) set from 3 to 25 minutes
Accessories	Speed regulators

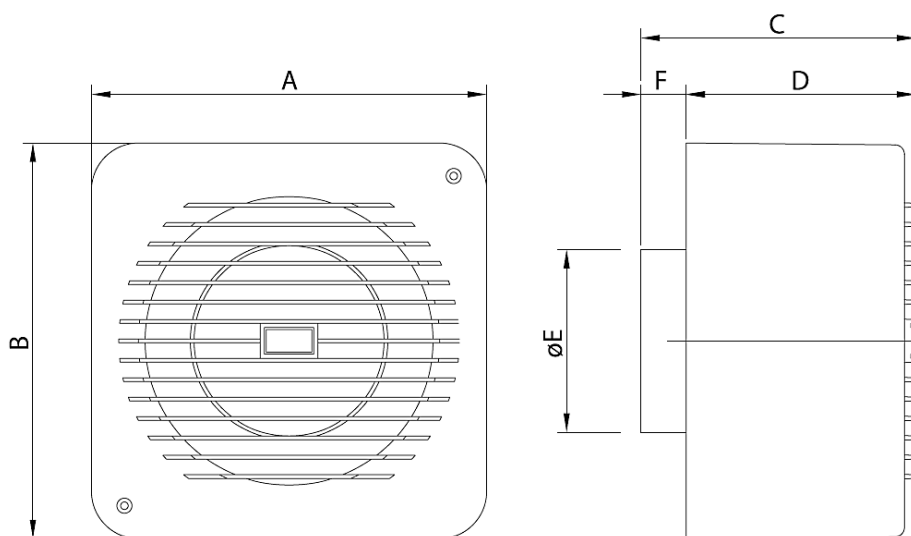
230/1/50

Model	Capacity max. (m <sup>3</sup> /h)	Pressure max. (Pa stat.)	Motor (W)	dB (A)
AXICEN 100	90	124	30	44
AXICEN 100 2V	90/38	124/78	30/12	44/37
AXICEN 100 Selv. Timer	90	124	26	44
AXICEN 250 TIMER ø 100	201	195	29	52
AXICEN 250 TIMER ø 120	232	195	29	52

CURVES

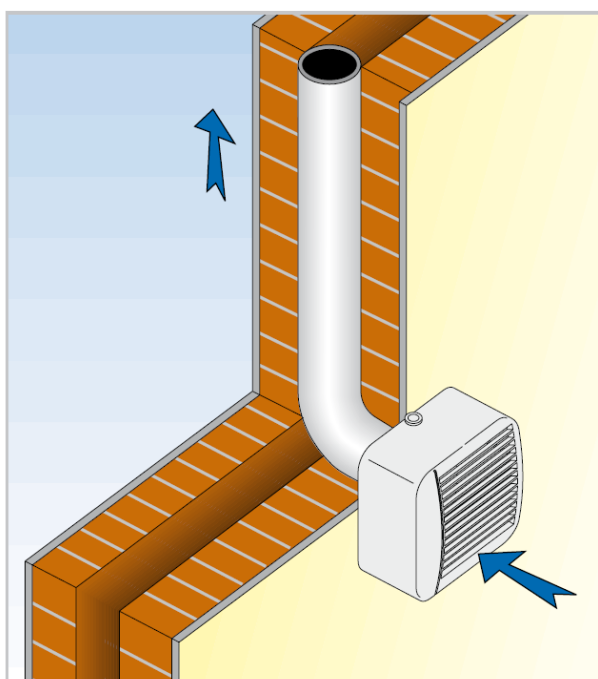


## Indication dimensions VN-AXICEN



	A	B	C	D	Ø E	F
AXICEN 100	160	160	100	76	97	28
AXICEN 250	210	210	150	121	100/120	29

### WALL



### CEILING

