

## VN-Duct EC



Axial duct fan with brushless EC motor.

If you are looking for a fan with a specific working point, please don't hesitate to contact us by phone +31 (0)416 391999 or email info@ventinet.nl and we will select the right fan for you.

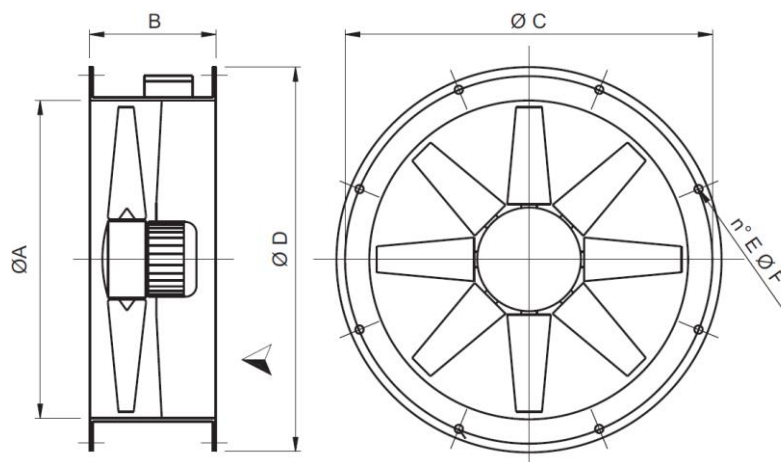
Sizes	250 up to 600 mm
Motor (standard)	EC brushless motor IP54, 230/1/50
Capacity	up to 10.000 m <sup>3</sup> /hr
Pressure	up to 250 Pa
Control	0 – 10 Volt
Casing	Steel coated
Impeller	Plastic
Airflow	Motor → Impeller / Impeller → Motor
Extra	Standard delivered with terminal box mounted on the casing and including speed regulator
Accessories	Inlet cone / Silencers / Protection grid / Shutters / Inspection window / Flexible connections / Anti-vibration mounts / Support feet / Flanges / Switches/ Terminal box / Speed regulators

230/1/50

Model	Capacity max. (m3/h)	50 Pa m3/h	100 Pa m3/h	150 Pa m3/h	Pressure max. (Pa stat.)	Motor (W)	In nom (A)
25 M	1.600	1.450	1.220	630	220	50	0,45
30 M	2.200	1.750	730	-	150	70	0,5
35 M	3.000	2.100	-	-	100	75	0,6
40 M	4.100	3.000	900	-	140	140	1,1
45 M	6.500	5.600	4.700	2.750	280	350	2,2
50 M	7.350	6.200	4.900	750	160	360	2,2
60 M	9.000	6.600	2.800	-	130	240	1,0

[Types and changes reserved]

## Indication dimensions VN-Duct EC



Model	$\varnothing A$	B	$\varnothing C$	$\varnothing D$	n°E	$\varnothing F$
25	258	160	280	308	4	10
30	310	180	355	382	8	10
35	360	180	395	422	8	10
40	408	190	450	480	8	12
45	452	220	500	530	8	12
50	505	220	560	590	12	12
60	636	220	690	720	12	12