

VN-Duct ER



Axial duct fan with compact motor.

If you are looking for a fan with a specific working point, please don't hesitate to contact us by phone +31 (0)416 391999 or email info@ventinet.nl and we will select the right fan for you.

Sizes	250 up to 700 mm
Motor (standard)	Compact motor IP55, 230/1/50 or 400/3/50
Capacity	up to 20.000 m ³ /hr
Pressure	up to 250 Pa
Control	Frequency converter
Casing	Steel coated
Impeller	Plastic / Aluminum
Airflow	Motor → Impeller / Impeller → Motor
Extra	Compact and easily speed control Standard with terminal box mounted on the casing
Accessories	Inlet cone / Silencers / Protection grid / Shutters / Inspection window / Flexible connections / Anti-vibration mounts / Support feet / Flanges / Switches/ Terminal box / Speed regulators

2 pole (3.000 rpm.) – 230/1/50

Model	Capacity max. (m ³ /h)	50 Pa m ³ /h	100 Pa m ³ /h	200 Pa m ³ /h	Pressure max. (Pa stat.)	Motor (kW)	In max. (A)
252 M	1.650	1.400	1.000	420	290	0,11	0,50
302 M	3.300	2.800	2.450	1.050	280	0,23	1,10

2 pole (3.000 rpm.) – 400/3/50

Model	Capacity max. (m ³ /h)	50 Pa m ³ /h	100 Pa m ³ /h	200 Pa m ³ /h	Pressure max. (Pa stat.)	Motor (kW)	In max. (A)
252 T	1.650	1.400	1.000	420	290	0,11	0,20
302 T	3.300	2.800	2.450	1.050	280	0,20	0,60

4 pole (1.500 rpm.) – 230/1/50

Model	Capacity max. (m ³ /h)	25 Pa m ³ /h	75 Pa m ³ /h	100 Pa m ³ /h	Pressure max. (Pa stat.)	Motor (kW)	In max. (A)
254 M	1.000	800	180	-	100	0,07	0,50
314 M	2.300	2.250	-	-	60	0,09	0,80
354 M	3.500	3.150	-	-	70	0,09	0,80
404 M	6.000	5.400	3.600	-	90	0,18	1,70
454 M	7.000	6.500	5.000	3.800	110	0,25	2,20
504 M	8.500	7.900	6.100	5.000	140	0,25	2,30
564 M	11.500	11.000	9.200	8.000	180	0,55	3,80

4 pole (1.500 rpm.) – 400/3/50

Model	Capacity max. (m ³ /h)	50 Pa m ³ /h	100 Pa m ³ /h	150 Pa m ³ /h	Pressure max. (Pa stat.)	Motor (kW)	In max. (A)
254 T	1.000	350	-	-	100	0,07	0,10
314 T	2.300	1.850	-	-	60	0,09	0,50
354 T	3.500	2.800	-	-	70	0,09	0,50
404 T	6.000	4.800	-	-	90	0,18	0,75
454 T	7.000	6.000	3.800	-	110	0,25	1,10
504 T	9.000	8.500	5.900	2.500	150	0,35	1,50
564 T	11.500	10.500	8.000	4.000	180	0,55	1,60
634 T	13.500	12.300	10.500	7.600	220	0,75	2,20
714 T	17.000	14.600	12.500	9.500	230	1,10	2,60

6 pole (1.000 rpm.) – 400/3/50

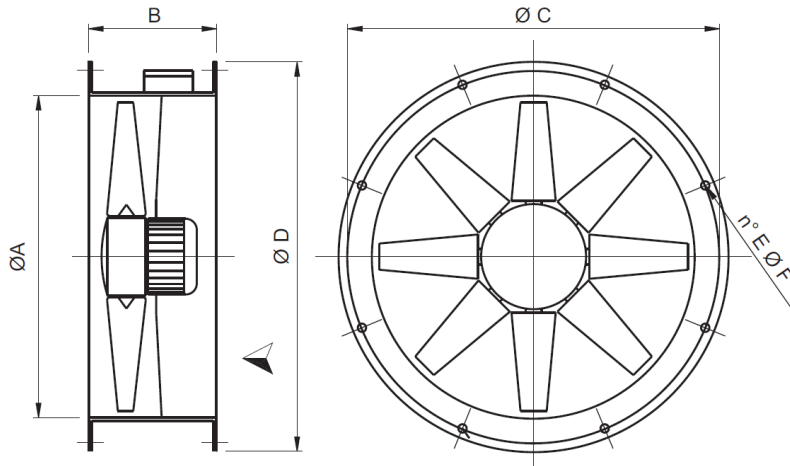
Model	Capacity max. (m ³ /h)	25 Pa m ³ /h	50 Pa m ³ /h	100 Pa m ³ /h	Pressure max. (Pa stat.)	Motor (kW)	In max. (A)
506 T	6.000	5.000	3.700	-	60	0,18	0,80
566 T	9.500	8.600	7.200	-	80	0,25	1,20
636 T	13.000	12.300	11.000	4.000	100	0,55	1,70
716 T	14.500	13.500	12.500	6.000	120	0,55	1,70

8 pole (750 rpm.) – 400/3/50

Model	Capacity max. (m ³ /h)	20 Pa m ³ /h	40 Pa m ³ /h	60 Pa m ³ /h	Pressure max. (Pa stat.)	Motor (kW)	In max. (A)
718 T	10.500	9.250	7.500	5.000	60	0,28	1,30

[Types and changes reserved]

Indication dimensions VN-Duct ER



Model	$\varnothing A$	B	$\varnothing C$	$\varnothing D$	No E	$\varnothing F$
25	258	160	280	308	4	10
31	310	260	355	390	8	10
35	360	260	395	430	8	10
40	410	260	450	490	8	12
45	460	260	500	540	8	12
50	510	260	560	600	12	12
56	570	260	620	655	12	12
63	640	260	690	725	12	12
71	710	260	770	805	12	12