

VN-Duct BFC



Axial duct fan with motor outside the airflow.

If you are looking for a fan with a specific working point, please don't hesitate to contact us by phone +31 (0)416 391999 or email info@ventinet.nl and we will select the right fan for you.

Sizes	500 up to 1.000 mm
Motor (standard)	Norm motor IP55, 230/1/50 or 400/3/50
Capacity	up to 48.000 m ³ /hr
Pressure	up to 750 Pa
Control	Frequency converter
Casing	Steel / Aluminum / Stainless steel (size 900 only in galvanized steel)
Impeller	Plastic / Aluminum
Airflow	Motor → Impeller / Impeller → Motor
Extra	Suitable for air up to a temperature of 200° C for stainless steel and 150° C for galvanized steel
Accessories	Inlet cone / Silencers / Protection grid / Shutters / Inspection window / Flexible connections / Anti-vibration mounts / Support feet / Flanges / Switches/ Terminal box / Frequency converters

2 pole (3.000 rpm.) – 400/3/50

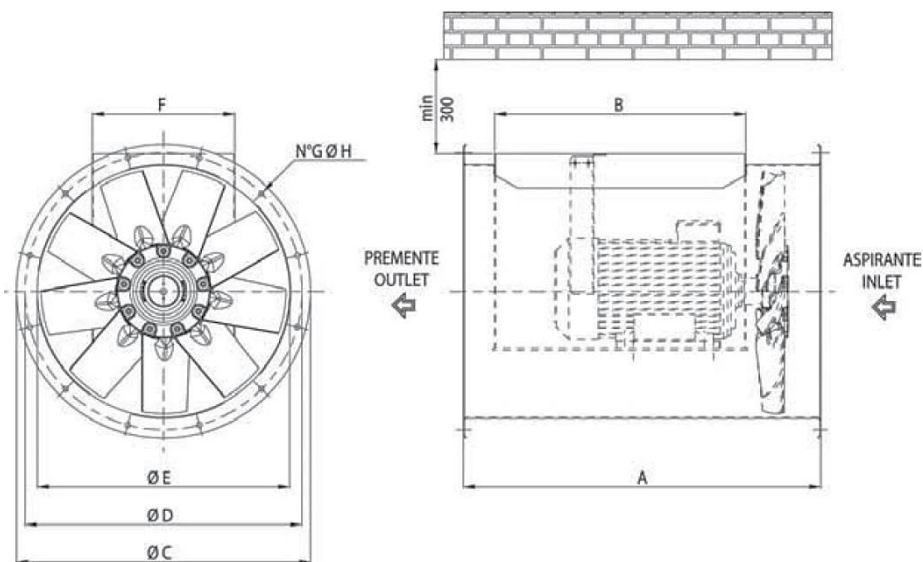
Model	Capacity max. (m3/h)	100 Pa m3/h	200 Pa m3/h	400 Pa m3/h	Pressure max. (Pa stat.)	Motor (kW)	In max. (A)
502/A T	12.100	11.800	11.200	9.600	520	4	7,61
502/B T	10.500	10.000	9.600	8.000	520	3	5,94
502/C T	7.800	7.400	6.900	5.500	480	2,2	4,51
562/A T	21.100	20.700	19.800	18.200	630	9,2	16,16
562/B T	18.000	17.600	16.700	15.100	630	7,5	13,9
562/C T	13.100	12.700	11.800	10.200	630	4	7,49
632/A T	21.300	21.000	20.500	19.000	750	9,2	16,16
632/B T	18.700	18.400	17.900	16.400	750	7,5	13,9
632/C T	15.000	14.700	14.200	12.700	750	5,5	10,4

4 pole (1.500 rpm.) – 400/3/50

Model	Capacity max. (m3/h)	100 Pa m3/h	200 Pa m3/h	300 Pa m3/h	Pressure max. (Pa stat.)	Motor (kW)	In max. (A)
504/A T	6.100	4.800	-	-	130	0,55	1,50
504/B T	7.600	6.200	-	-	130	0,75	1,90
564/A T	11.400	9.800	-	-	155	1,5	3,17
564/B T	9.000	7.200	-	-	155	1,1	2,36
634/A T	16.500	14.700	-	-	190	3	6,39
634/B T	13.500	11.900	-	-	190	2,2	4,80
804/A T	32.300	29.800	27.500	25.000	360	9,2	16,71
804/B T	27.800	25.500	23.200	20.700	360	7,5	14,38
804/C T	23.000	21.000	18.700	16.200	360	5,5	10,74
904/A T	32.500	30.000	27.500	24.500	370	7,5	15,0
904/B T	35.600	34.000	31.500	28.500	390	9,2	18,0
1004/A T	48.000	45.000	43.000	40.000	540	15	28,12
1004/B T	39.000	36.000	34.000	31.000	540	11	21,67
1004/C T	32.500	29.500	27.500	24.500	540	9,2	16,71

[Types and changes reserved]

Indication dimensions VN-Duct BFC



Model	A	B	C	D	E	F	G	H
502	650	450	598	560	505	240	12	12
504	650	450	598	560	505	240	12	12
562	800	560	658	620	565	320	12	12
564	650	450	658	620	565	240	12	12
632	800	560	730	690	635	320	12	12
634	650	450	730	690	635	240	12	12
804	800	560	910	860	808	390	16	12
1004	1000	710	1130	1070	1010	430	16	16

