

## VN-Duct BD



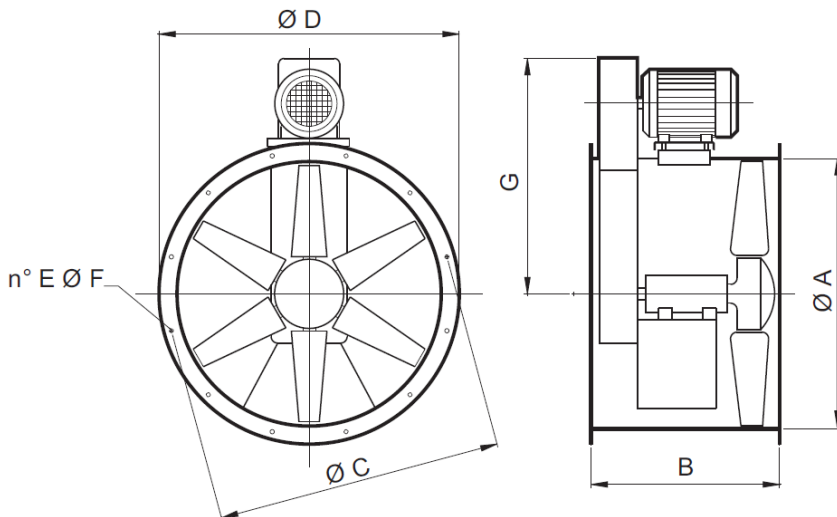
### Axial duct fan belt driven.

The information below covers the standard range. The possibilities are extensive and besides the diameter of the impeller and speed, also the fan can be configured by different types of impellers, the angle of the impeller and the motor power.

If you are looking for a fan with a specific working point, please don't hesitate to contact us by phone +31 (0)416 391999 or email info@ventinet.nl and we will select the right fan for you.

Sizes	450 up to 1.000 mm
Motor (standard)	Norm motor IP55, 230/1/50 or 400/3/50
Capacity	up to 70.000 m <sup>3</sup> /h
Pressure	up to 600 Pa
Control	Frequency converter
Casing	Steel coated
Impeller	Plastic / Aluminum
Airflow	Motor → Impeller / Impeller → Motor
Extra	Suitable to transport smoke, dusty and moist air
Accessories	Inlet cone / Silencers / Protection grid / Shutters / Inspection window / Flexible connections / Anti-vibration mounts / Support feet / Flanges / Switches/ Terminal box / Frequency converters

## Indication dimensions VN-Duct BD



Model	Ø A	B	Ø C	Ø D	No E	Ø F
45	450	390	483	510	6	9
50	510	450	560	600	12	12
56	570	450	620	655	12	12
63	640	500	690	725	12	12
71	710	600	770	805	16	12
80	810	600	860	905	16	12
90	910	700	970	1010	16	16
100	1010	800	1070	1115	16	16

Performances for the VN-Duct BD = VN-Duct - 5 %

