

VN-Ring ATEX



ATEX axial ring fan.

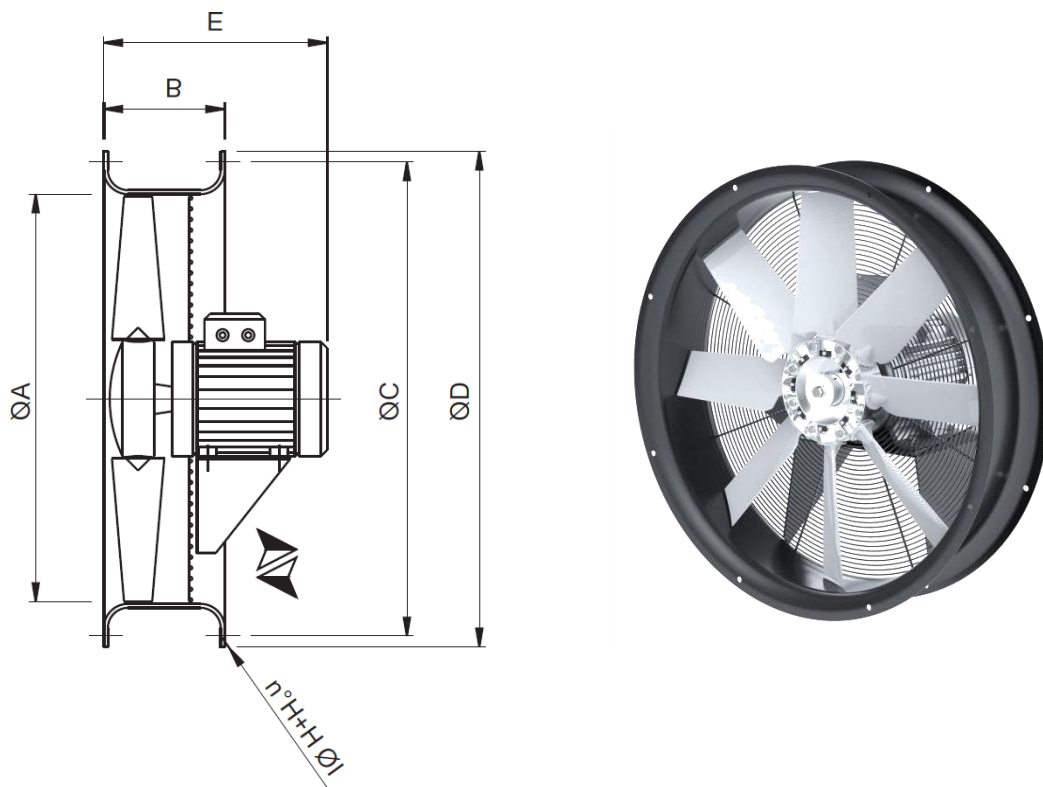
The possibilities are extensive and besides the diameter of the impeller and speed, also the fan can be configured by different types of impellers, the angle of the impeller and the motor power.

If you are looking for a fan with a specific working point, please don't hesitate to contact us by phone +31 (0)416 391999 or email info@ventinet.nl and we will select the right fan for you.

| | |
|-------------|---|
| Sizes | 310 up to 1.250 mm |
| Motor | Atex motor IP55, 230/1/50 or 400/50 |
| Capacity | up to 80.000 m ³ /hr |
| Pressure | up to 750 Pa |
| Control | Frequency converter |
| Casing | Steel / Aluminum / Stainless steel |
| Impeller | Plastic / Aluminum |
| Airflow | Motor → Impeller / Impeller → Motor |
| Extra | Motors for different voltages, frequencies and with certificates |
| Atex | Gas : zone 1 II2G and 2 II3G Dust on request: zone 21 II2D and 22 II3D |
| Accessories | Protection grid / Silencers / Shutters / Switches / Terminal box / Frequency converters |

More information about the capacities and pressures on request

Indication dimensions VN-Ring ATEX



| Model | Ø A | B | Ø C | Ø D | E* | Ø F | Ø G | n°H | Ø I | n°L | Ø M |
|-------|------|-----|------|------|-----|------|------|-----|-----|-----|-----|
| 31 | 310 | 150 | 365 | 390 | 360 | - | - | 4 | 8 | - | - |
| 35 | 360 | 150 | 430 | 455 | 390 | - | - | 4 | 8 | - | - |
| 40 | 410 | 150 | 480 | 510 | 420 | 450 | 480 | 4 | 10 | 8 | 12 |
| 45 | 460 | 150 | 535 | 560 | 420 | 500 | 530 | 4 | 10 | 8 | 12 |
| 50 | 510 | 150 | 590 | 620 | 420 | 560 | 595 | 8 | 10 | 12 | 12 |
| 56 | 570 | 180 | 645 | 680 | 450 | 620 | 655 | 8 | 10 | 12 | 12 |
| 63 | 640 | 180 | 720 | 750 | 530 | 690 | 725 | 8 | 10 | 12 | 12 |
| 71 | 710 | 180 | 780 | 816 | 560 | 770 | 805 | 8 | 12 | 16 | 12 |
| 80 | 810 | 200 | 880 | 915 | 630 | 860 | 900 | 8 | 12 | 16 | 12 |
| 90 | 910 | 250 | 980 | 1015 | 680 | 970 | 1010 | 16 | 12 | 16 | 16 |
| 100 | 1010 | 250 | 1080 | 1115 | 740 | 1070 | 1110 | 16 | 12 | 16 | 16 |
| 112 | 1130 | 250 | 1226 | 1250 | 740 | 1190 | 1230 | 16 | 12 | 16 | 16 |
| 125 | 1260 | 250 | 1350 | 1380 | 780 | 1320 | 1360 | 16 | 12 | 16 | 16 |

*F → Depends on motor type