

VN-Wall EC



Axial wall fan with brushless EC motor

If you are looking for a fan with a specific working point, please don't hesitate to contact us by phone +31 (0)416 391999 or email info@ventinet.nl and we will select the right fan for you.

Sizes	200 up to 630 mm
Motor (standard)	EC brushless motor IP44/IP54, 230/1/50-60 Hz
Capacity	up to 12.000 m ³ /h
Pressure	up to 200 Pa
Control	0 – 10 Volt or Direct online
Casing	Steel coated
Airflow	Motor → Impeller
Accessories	Protection grid / Shutters / Service switch



Temperature and/or humidity control

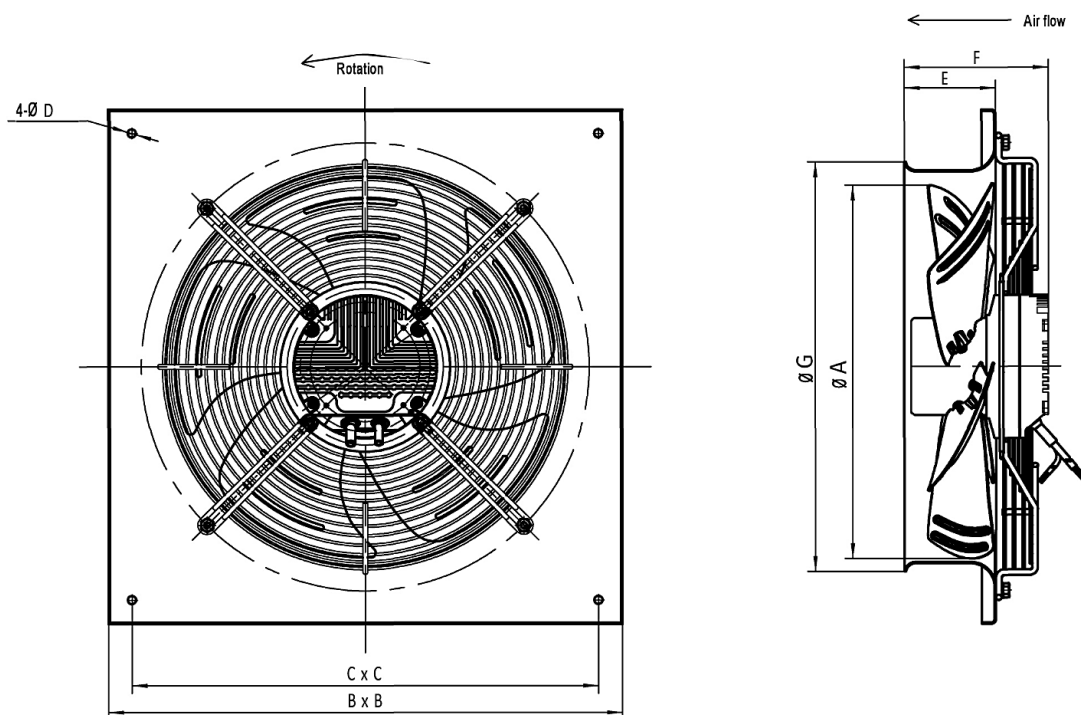


Speed regulators (continuous or 3 speed + off)

230/1/50-60 Hz

Model	Capacity max. (m3/h)	30 Pa m3/h	60 Pa m3/h	100 Pa m3/h	Pressure max. (Pa stat.)	Motor (Watt)	In max. (A)
200	950	850	720	320	160	85	0,61
250	1.700	1.640	1.580	1.450	120	175	1,39
300	2.913	2.700	2.400	1.770	160	160	1,27
350	3.420	3.180	2.940	2.390	180	180	1,4
400	4.970	4.650	4.450	3.980	150	300	1,35
450	5.890	5.500	5.040	4.200	100	300	1,3
500	9.710	8.990	8.450	7.100	200	650	4,6
630	12.060	11.395	10.200	7.610	180	650	4,3

Indication dimensions VN-Wall EC



Model	Ø A	BxB	CxC	Ø D	E	F	G
200	230	310	260	7	51	124	230
250	250	370	320	7	50	105	280
300	300	430	380	10	63	105	330
350	350	485	435	10	85	127	380
400	400	540	490	10	96	152	430
450	450	575	520	10	100	156	480
500	500	665	615	10	100	185	530
630	630	805	750	12	135	193	706