

VN-Wall ER



Axial wall fan with compact motor

If you are looking for a fan with a specific working point, please don't hesitate to contact us by phone +31 (0)416 391999 or email info@ventinet.nl and we will select the right fan for you.

Sizes	200 up to 700 mm
Motor (standard)	Compact motor IP55, 230/1/50 or 400/3/50
Capacity	up to 20.000 m ³ /hr
Pressure	up to 250 Pa static
Casing	Plastic
Impeller	Plastic / Aluminum
Airflow	Motor → Impeller / Impeller → Motor
Extra	Compact and stable construction
Accessories	Protection grid / Shutters / Spacer for mounting / Switches / Speed-Frequency regulators

2 pole (3.000 rpm.) – 230/1/50

Model	Capacity max. (m ³ /h)	25 Pa m ³ /h	75 Pa m ³ /h	100 Pa m ³ /h	Pressure max. (Pa stat.)	Motor (kW)	In max. (A)
202 M	900	850	630	350	160	0,065	0,30

4 pole (1.500 rpm.) – 230/1/50

Model	Capacity max. (m ³ /h)	25 Pa m ³ /h	75 Pa m ³ /h	100 Pa m ³ /h	Pressure max. (Pa stat.)	Motor (kW)	In max. (A)
204 M	500	200	25	-	80	0,04	0,30
254 M	1.000	670	220	-	100	0,07	0,50
314 M	2.300	2.100	-	-	60	0,09	0,80
354 M	3.500	3.200	-	-	70	0,09	0,80
404 M	6.000	5.600	3.500	-	90	0,18	1,70
454 M	7.000	6.600	5.100	3.700	110	0,25	2,20
504 M	8.500	7.800	6.200	5.000	140	0,25	2,30
564 M	11.500	11.200	9.100	8.000	180	0,55	3,80

4 pole (1.500 rpm.) – 400/3/50

Model	Capacity max. (m ³ /h)	50 Pa m ³ /h	100 Pa m ³ /h	150 Pa m ³ /h	Pressure max. (Pa stat.)	Motor (kW)	In max. (A)
204 T	500	125	-	-	80	0,02	0,10
254 T	1.000	330	1.000	-	100	0,025	0,10
314 T	2.300	1.800	-	-	60	0,09	0,50
354 T	3.500	2.700	-	-	70	0,09	0,50
404 T	6.000	4.800	-	-	90	0,18	0,75
454 T	7.000	6.000	3.700	-	110	0,25	1,10
504 T	9.000	7.800	5.900	2.500	150	0,35	1,50
564 T	11.500	10.500	8.000	4.500	180	0,55	1,60
634 T	13.500	12.200	10.300	7.800	220	0,74	2,20
714 T	17.000	14.800	12.500	9.900	230	1,1	2,60

6 pole (1.000 rpm.) – 400/3/50

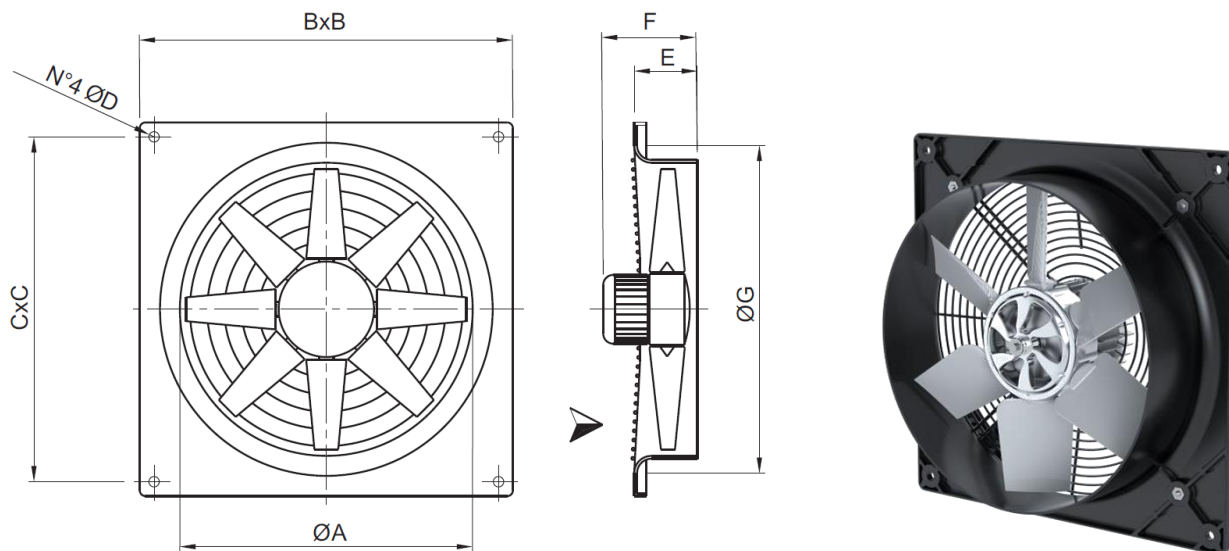
Model	Capacity max. (m ³ /h)	25 Pa m ³ /h	50 Pa m ³ /h	75 Pa m ³ /h	Pressure max. (Pa stat.)	Motor (kW)	In max. (A)
506 T	6.000	5.000	3.700	-	60	0,18	0,80
566 T	9.500	8.600	7.150	4.000	80	0,25	1,20
636 T	13.000	12.000	11.100	7.500	100	0,55	1,70
716 T	14.500	13.700	12.600	11.000	120	0,55	1,70

8 pole (750 rpm.) – 400/3/50

Model	Capacity max. (m ³ /h)	25 Pa m ³ /h	50 Pa m ³ /h	100 Pa m ³ /h	Pressure max. (Pa stat.)	Motor (kW)	In max. (A)
718 T	10.500	9.000	6.500	-	60	0,28	1,3

[Types and changes reserved]

Indication dimensions VN-Wall ER



Model	Ø A	BxB	CxC	Ø D	E	F (*)
200	208	280	265	8,3	55	120
250	259	340	325	8,3	66	130
310	310	390	350	10	110	170
350	360	440	400	10	110	170
400	410	500	450	10	110	170
450	460	560	510	10	110	175
500	510	650	580	10	110	175
560	570	700	630	10	130	210
630	640	800	730	12	130	210
710	710	850	800	12	130	220

*F → Depends on motor type