


VN-Wall



Axial wall fan with norm motor

The information below covers the standard range. The possibilities are extensive and besides the diameter of the impeller and speed, also the fan can be configured by different types of impellers, the angle of the impeller and the motor power.

If you are looking for a fan with a specific working point, please don't hesitate to contact us by phone +31 (0)416 391999 or email info@ventinet.nl and we will select the right fan for you.

Sizes	200 up to 1.000 mm
Motor (standard)	Norm motor IP55, 230/1/50 or 400/3/50
Capacity	up to 91.000 m ³ /hr
Pressure	up to 530 Pa static
Control	Frequency converter
Casing	Plastic / Steel coated or galvanized
Impeller	Plastic / Aluminum
Airflow	Motor → Impeller / Impeller → Motor
Extra	Motors for different voltages, frequencies and with certificates
Atex	 Gas : zone 1 II2G and 2 II3G Dust on request: zone 21 II2D and 22 II3D
Accessories	Protection grid / Shutters / Spacer for mounting / Switches / Frequency converters

2 pole (3.000 rpm.) – 230/1/50

Model	Capacity max. (m ³ /h)	25 Pa m ³ /h	75 Pa m ³ /h	150 Pa m ³ /h	Pressure max. (Pa stat.)	Motor (kW)	In max. (A)
202 M	1.080	875	-	-	32	0,09	0,52
252 M	1.850	1.800	1.650	740	180	0,09	0,80
312 M	3.500	3.400	3.180	2.450	240	0,25	1,70

2 pole (3.000 rpm.) – 400/3/50

Model	Capacity max. (m ³ /h)	25 Pa m ³ /h	75 Pa m ³ /h	150 Pa m ³ /h	Pressure max. (Pa stat.)	Motor (kW)	In max. (A)
202 T	1.080	875	-	-	32	0,05	0,17
252 T	1.850	1.800	1.650	740	180	0,09	0,40
312 T	3.500	3.400	3.180	2.450	240	0,25	0,70

4 pole (1.500 rpm.) – 230/1/50

Model	Capacity max. (m ³ /h)	50 Pa m ³ /h	125 Pa m ³ /h	200 Pa m ³ /h	Pressure max. (Pa stat.)	Motor (kW)	In max. (A)
204 M	710	-	-	-	12	0,09	0,38
254 M	1.400	-	-	-	40	0,06	0,40
314 M	2.300	1.750	-	-	65	0,09	1,00
354 M	3.200	2.610	-	-	90	0,09	1,00
404 M	5.200	4.800	-	-	100	0,18	1,40
454 M	6.800	5.800	2.500	-	140	0,25	1,80
504 M	8.500	7.700	5.700	-	150	0,37	3,30
564 M	10.900	9.250	5.800	-	190	0,55	5,30
634 M	14.000	13.750	12.100	10.000	200	0,75	5,80
714 M	21.000	20.300	17.800	15.800	240	1,5	10,3

4 pole (1.500 rpm.) – 400/3/50

Model	Capacity max. (m ³ /h)	50 Pa m ³ /h	125 Pa m ³ /h	250 Pa m ³ /h	Pressure max. (Pa stat.)	Motor (kW)	In max. (A)
204 T	710	-	-	-	12	0,03	0,16
254 T	1.400	-	-	-	50	0,06	0,30
314 T	2.300	1.750	-	-	65	0,09	0,40
354 T	3.200	2.610	-	-	90	0,09	0,40
404 T	5.200	4.800	-	-	100	0,18	0,60
454 T	6.800	5.800	2.500	-	140	0,25	0,80
504 T	9.500	8.150	6.100	-	160	0,55	1,60
564 T	12.500	11.800	9.150	-	190	0,75	2,00
634 T	13.500	12.500	10.200	-	200	0,75	2,00
714 T	17.500	16.700	13.500	-	240	1,5	3,50
804 T	27.000	26.200	24.000	17.500	350	4	9,40
904 T	33.000	30.100	27.500	22.400	410	5,5	12,14
1004 T	47.000	46.200	45.000	40.100	520	5,5	12,14

6 pole (1.000 rpm.) – 230/1/50

Model	Capacity max. (m3/h)	25 Pa m3/h	75 Pa m3/h	150 Pa m3/h	Pressure max. (Pa stat.)	Motor (kW)	In max. (A)
406 M	4.200	3.300	-	-	35	0,09	1,40
456 M	5.400	4.700	-	-	45	0,12	1,50
506 M	6.200	5.400	-	-	70	0,18	1,75
566 M	9.300	7.900	5.000	-	120	0,25	3,30
636 M	13.000	12.700	10.200	3.800	150	0,55	4,70
716 M	17.500	17.100	16.200	12.000	210	0,75	6,00
806 M	22.000	20.500	15.800	-	140	0,75	6,00

6 pole (1.000 rpm.) – 400/3/50

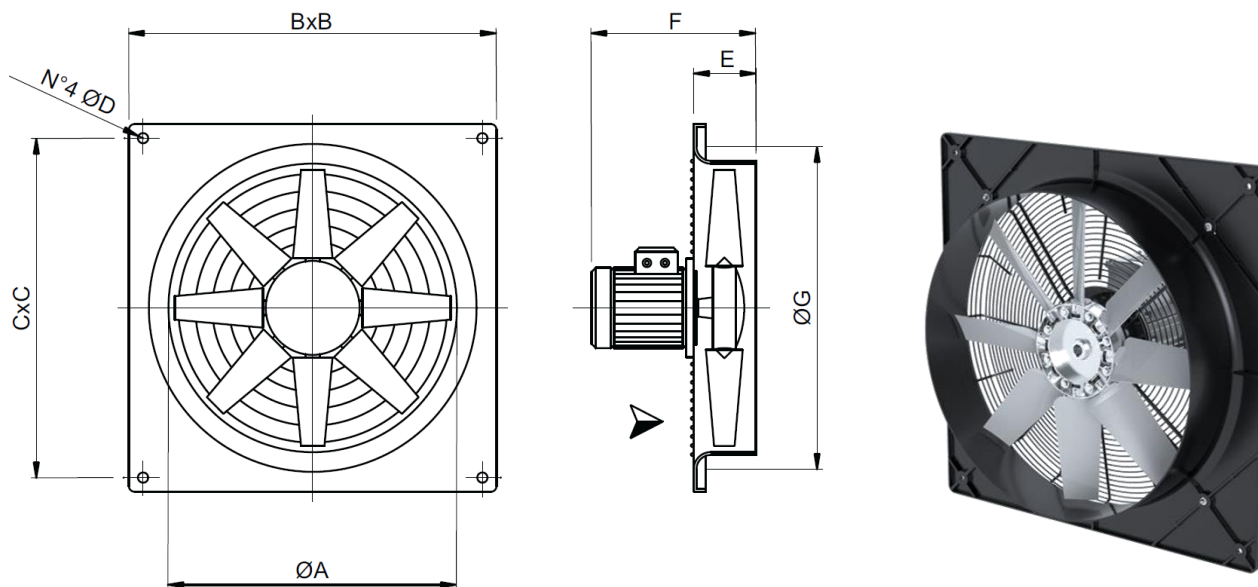
Model	Capacity max. (m3/h)	25 Pa m3/h	75 Pa m3/h	150 Pa m3/h	Pressure max. (Pa stat.)	Motor (kW)	In max. (A)
406 T	4.200	3.300	-	-	35	0,09	0,80
456 T	5.400	4.700	-	-	45	0,12	0,85
506 T	6.000	4.850	-	-	72	0,18	0,70
566 T	8.500	8.000	4.500	-	80	0,25	1,00
636 T	12.000	11.000	6.500	-	100	0,37	1,30
716 T	16.000	15.000	10.800	-	110	0,75	2,20
806/A T	19.500	18.800	17.400	13.800	200	1,1	3,00
806/B T	23.000	22.100	20.700	17.400	200	1,5	4,00
906 T	26.800	26.200	24.800	19.100	210	1,1	2,93
1006 T	29.700	28.000	26.300	22.700	270	1,1	2,93

8 pole (750 rpm.) – 400/3/50

Model	Capacity max. (m3/h)	25 Pa m3/h	50 Pa m3/h	100 Pa m3/h	Pressure max. (Pa stat.)	Motor (kW)	In max. (A)
508 T	4.500	3.200	-	-	40	0,08	0,60
568 T	6.000	4.800	-	-	45	0,12	0,70
638 T	8.000	6.500	3.700	-	55	0,18	0,80
718 T	11.000	9.500	6.300	-	60	0,25	1,10
808 T	18.200	17.700	16.800	12.300	110	0,75	2,3

[Types and changes reserved]

Indication dimensions VN-Wall



Model	Ø A	BxB	CxC	Ø D	E	F (*)
200	215	345	305	8,5	44	210
250	260	340	300	10	90	270
310	310	390	350	10	110	320
350	360	440	400	10	110	320
400	410	500	450	10	110	320
450	460	560	510	10	110	340
500	510	650	580	10	110	360
560	570	700	630	10	130	380
630	640	800	730	12	130	400
710	710	850	800	12	130	460
800	810	950	900	12	180	460
900	914	1070	1010	14,5	197	837
1000	1003	1200	1140	12	205	930

*F → Depends on motor type